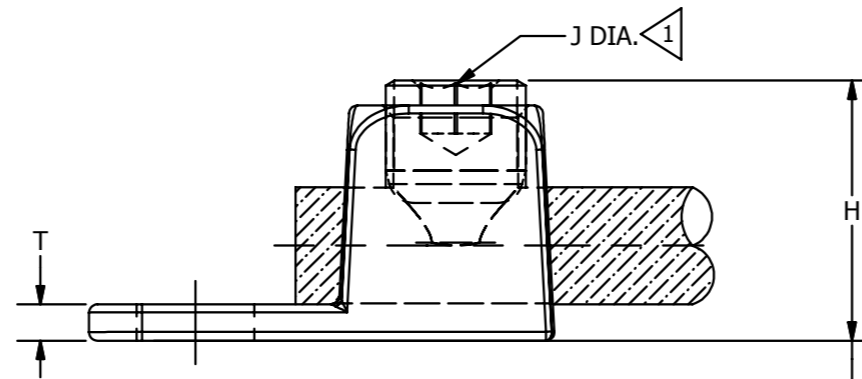
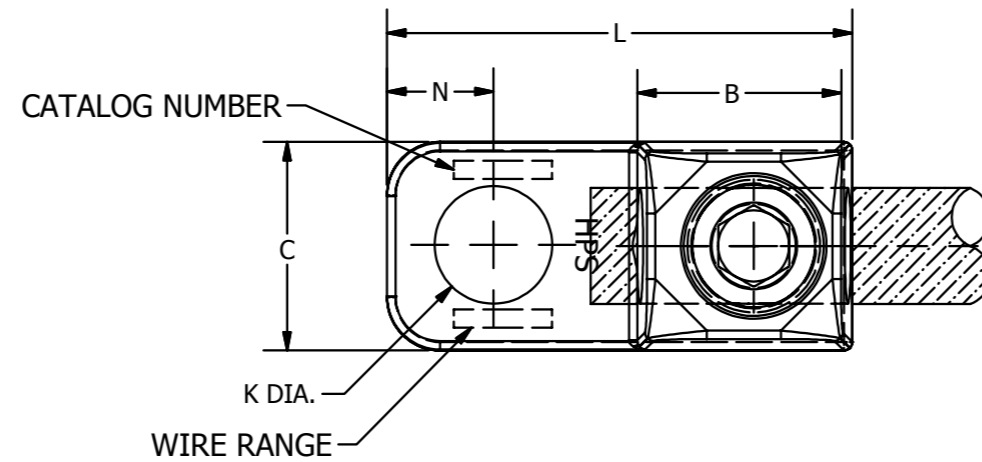


ITEM NO.	CATALOG NO.	CONDUCTOR RANGE COPPER CABLE		B	C	H	J DIA.	K DIA.	L	N	T
		MIN.	MAX.								
30013322	KA25H	# 4 STR. (.232 DIA.)	1/0 STR. (.373 DIA.)	0.69 [18]	0.75 [19]	0.94 [24]	1/2" - 20 UNF -2A	0.42 [11]	1.69 [43]	0.38 [10]	0.13 [3]
30013323	KA28H	# 1 STR. (.332 DIA.)	4/0 STR. (.528 DIA.)	0.81 [21]	0.94 [24]	1.25 [32]	5/8" - 18 UNF-2A	0.42 [11]	1.94 [49]	0.44 [5]	0.19 [5]
5 30019798	KA34H	4/0 STR. (.528 DIA.)	500 Kcmil (.814 DIA.)	1.12 [28]	1.38 [35]	2.09 [53]	13/16" - 16 UN-2A	0.56 [14]	2.55 [65]	0.56 [14]	0.28 [7]

REV	DATE	DESCRIPTION	ECO	BY	C'H'K.
A	06/13/2013	SALES DRAWING RELEASE	32084	DK	MA



NOTES:

1 SUPPLIED WITH TIN PLATED STEEL SOCKET SET SCREW.

2. MATERIAL: CAST COPPER ALLOY

3. DIMENSIONS IN BRACKETS [ ] ARE IN MILLIMETERS ROUNDED OFF TO THE NEAREST MILLIMETER, UNLESS OTHERWISE SPECIFIED AND ARE FOR REFERENCE ONLY.

4. UL LISTED TO 486 A/B AND UL 467 GROUNDING AND BONDING.

5 NOT LISTED FOR GROUNDING.

TO ORDER BURNDY® PRODUCTS CALL		KA-LUG™	
UNITED STATES 1-800-346-4175 (LONDONDERRY, NH)		ITEM NO: SEE TABLE	
CANADA: 1-800-361-6975 (QUEBEC) 1-800-387-6487 (ALL OTHER PROVINCES)		CAT. NO: KA-- (TABLE)	
FOR PRODUCT INFO: <a href="http://www.burndy.com">http://www.burndy.com</a>		DRAWN BY: N.D.KANNAN 06/13/2013	
		CHECKER: T.REYNOLDS 07/25/2013	
		DSN APRVL: R.CRUIZ 07/26/2013	
		MFG APRVL: --	
		QA APRVL: J.MEDINA 07/26/2013	
		MKT APRVL: M.BAILLY 07/25/2013	
		PROD FAM: CM&R MECHANICAL	
		PROJECT #: _____	
		DRAWING NO	
		50026771	
		REV	
		A	
		SHEET 1 OF 1	