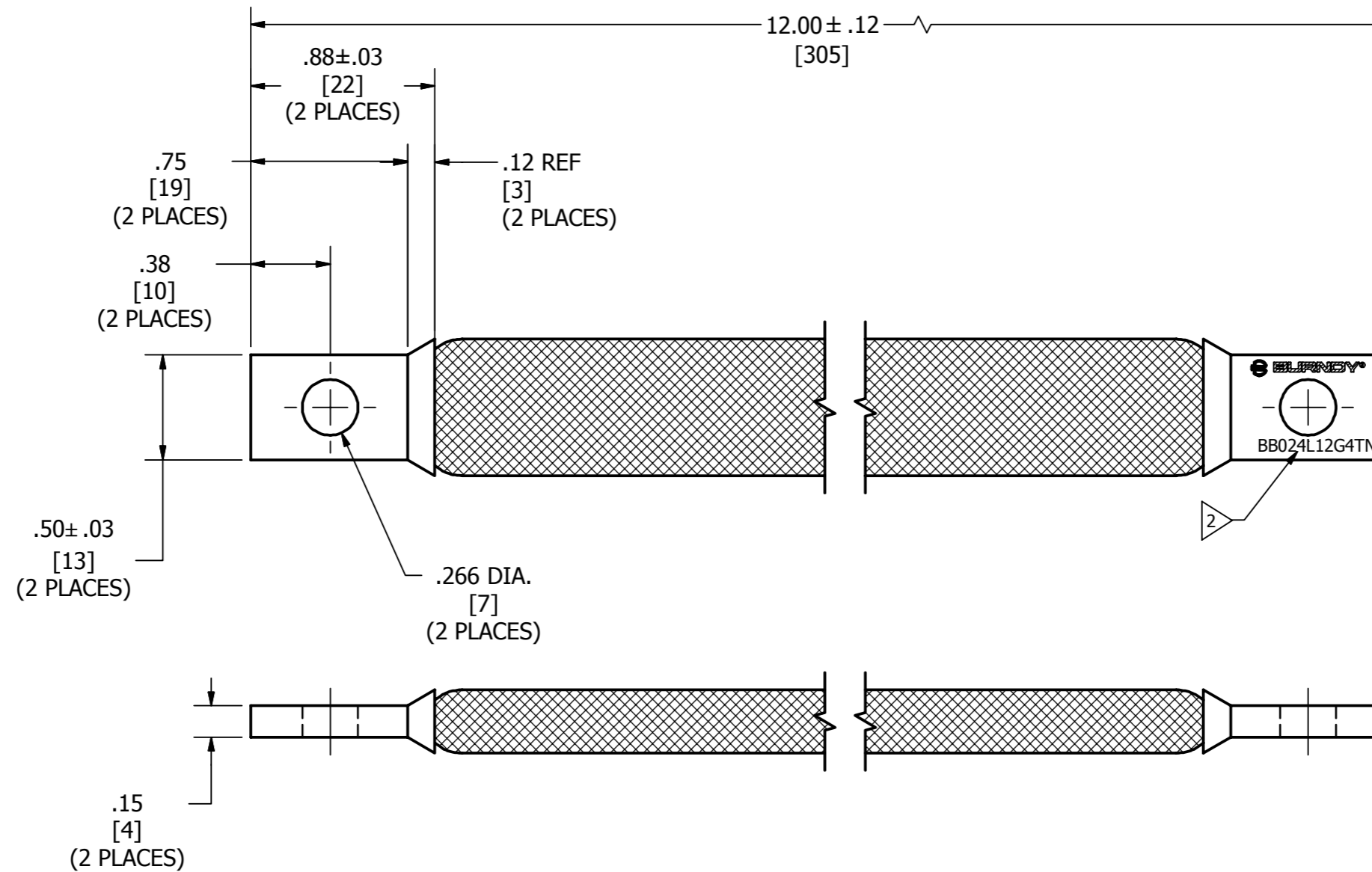


REV	DATE	DESCRIPTION	ECO	BY	C'H'K.
A	08/19/2013	SALES DRAWING CREATED FOR CAT. # BB024L12G4TN	32892	MVP	MB



NOTES:

1. DIMENSIONS IN BRACKETS [] ARE IN MILLIMETERS ROUNDED OFF TO THE NEAREST MILLIMETER, UNLESS OTHERWISE SPECIFIED AND ARE FOR REFERENCE ONLY.

2. SUFFIX "TN" DENOTES TIN PLATED FERRULES.

TO ORDER BURNDY® PRODUCTS CALL		FLEXIBLE STRAP	
UNITED STATES		ITEM NO: 332650	
1-800-346-4175 (LONDONDERRY, NH)		CAT. NO: BB024L12G4TN	
CANADA:		DRAWN BY: MANIMEKALA 08/19/2013	
1-800-361-6975 (QUEBEC)		CHECKER: L TROMBLEY 09/11/2013	
1-800-387-6487 (ALL OTHER PROVINCES)		DSN APRVL: L TROMBLEY 09/11/2013	
FOR PRODUCT INFO: http://www.burndy.com		MFG APRVL: M STEVENS 09/09/2013	
		QA APRVL: C ACKERMAN 09/11/2013	
		MKT APRVL: K ROBICHEAU 09/10/2013	
PROD FAM: MECHANICAL GROUNDING	DRAWING NO	REV	
PROJECT #: --	SIZE	50030737	A
DOCUMENT TYPE: SALES	REL LEVEL: Released	B	SHEET 1 OF 1