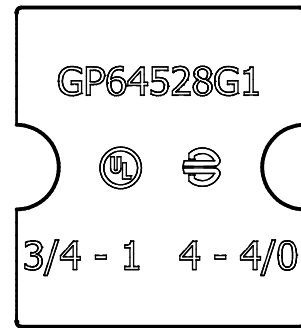
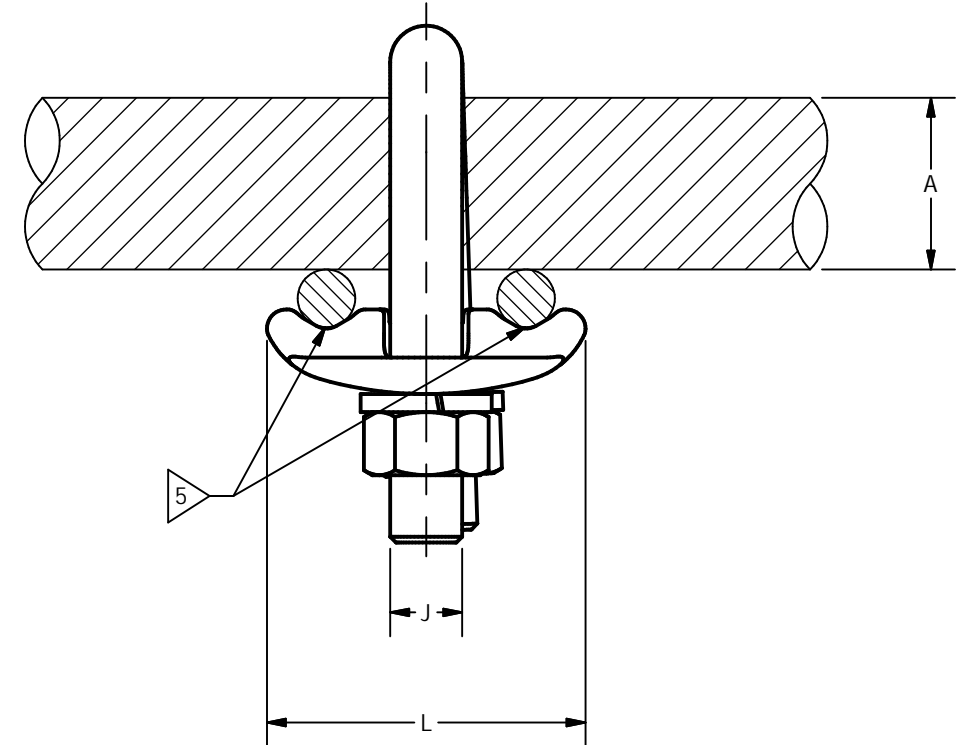
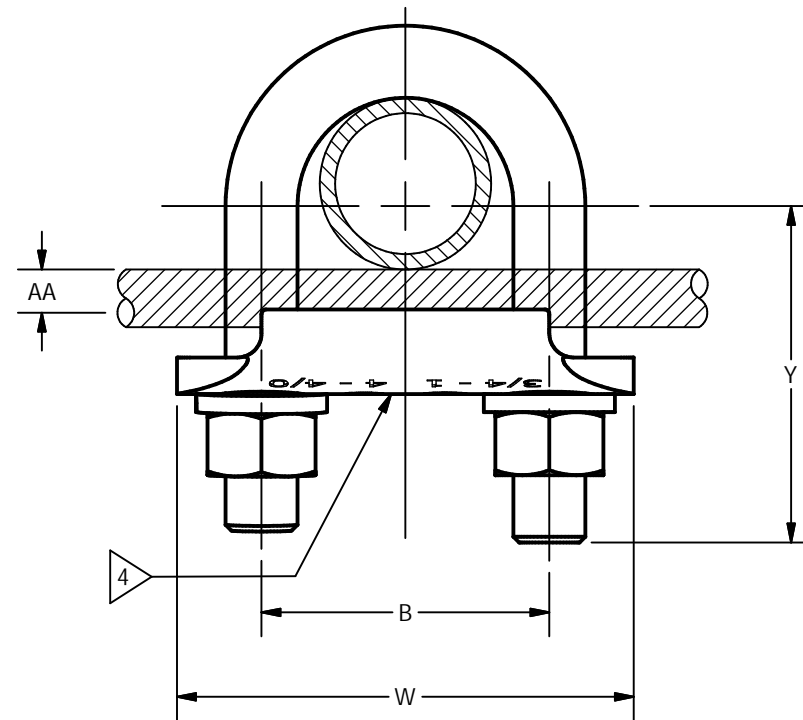


CATALOG NUMBER	A		AA				B	J	L	W	"U" BOLT	TORQUE	
	TUBING ACCOMMODATED		COPPER CONDUCTOR ACCOMMODATED (ONE OR TWO CONDUCTORS)									LB*IN	N*M
	ROUND	SQUARE	AWG		METRIC WIRE SIZE								
			MIN	MAX	MIN	MAX							
GP64528G1	3/4 - 1" [19 - 22]	3/4 - 7/8 [19 - 22]	4 SOL (.204)	4/0 STR (.605)	21mm ² SOL [5]	185mm ² SOL [15]	1.50 [38]	3/8 [10]	1.69 [43]	2.38 [60]	UB222	240	27

REV	DATE	DESCRIPTION	ECO	BY	C'H'K.
A	03/17/2014	SALES DRAWING RELEASED	35338	VK	PB



LETTERING VIEW



NOTES:

1. MATERIAL : CAST COPPER ALLOY, SILICONE BRONZE
U-BOLT, HEX. NUT & SPLW.
2. DIMENSIONS IN BRACKETS [] ARE IN MILLIMETERS ROUNDED OFF TO THE NEAREST MILLIMETER, UNLESS OTHERWISE SPECIFIED AND ARE FOR REFERENCE ONLY.
3. UL 467 LISTED, FILE NO. E9999.

4 LETTERING TO APPEAR ON THIS SIDE OF CONNECTOR.

5 ACCOMMODATES 1 OR 2 CONDUCTORS.

TO ORDER BURNDY® PRODUCTS CALL		GROUND CLAMP	
UNITED STATES 1-800-346-4175 (LONDONDERRY, NH)		ITEM NO: 50032601	
CANADA: 1-800-361-6975 (QUEBEC) 1-800-387-6487 (ALL OTHER PROVINCES)		CAT. NO: GP64528G1	
FOR PRODUCT INFO: http://www.burndy.com		DRAWN BY: PARTHIBAN B 11/6/2013	
		CHECKER: L.TROMBLEY 3/20/2014	
		DSN APRVL: L.TROMBLEY 3/20/2014	
		MFG APRVL: R.CRUIZ 3/25/2014	
		QA APRVL: A.TEPEPA 3/19/2014	
		MKT APRVL: P.THERRIEN 3/18/2014	
		PROD FAM: --	
		DRAWING NO	
		50032456	
		REV	
		A	
		SHEET 1 OF 1	