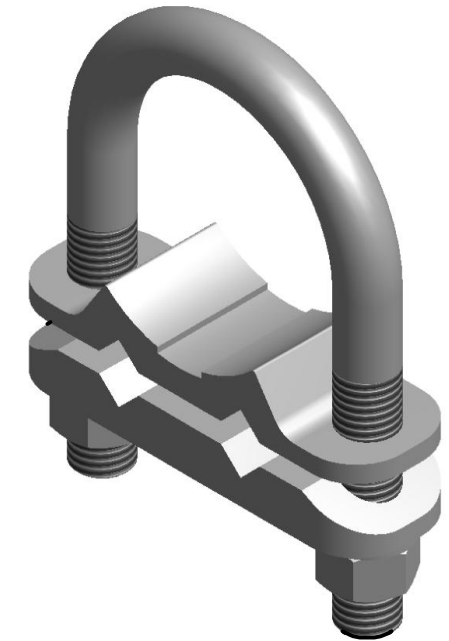
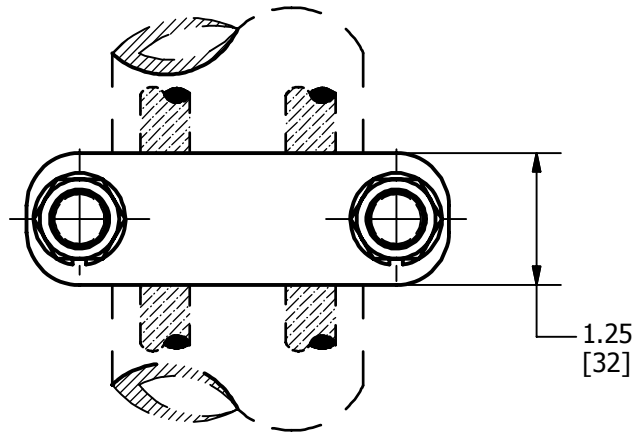
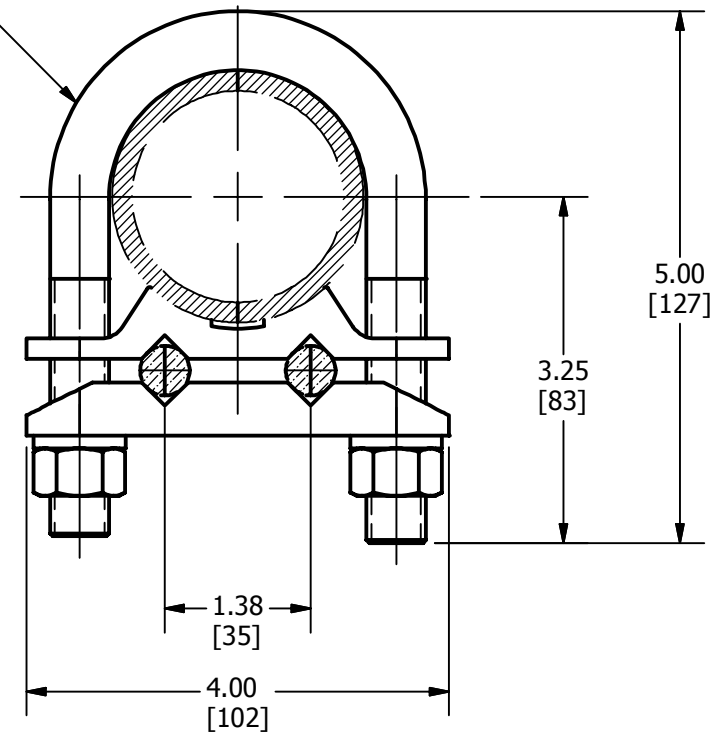


REV	DATE	DESCRIPTION	ECO	BY	C'H'K
A	09/26/2013	DRAWING RELEASED	33411	GP	MB

1/2" GALVANISED STEEL U- BOLT,
NUTS WITH SPLIT LOCK WASHERS.



NOTES:

1. MATERIAL: CAST COPPER ALLOY.
2. ACCOMMODATES: 2" I. P. S. ALUMINUM PIPE
CABLE: 250 kcmil (.58 DIA.) [15] TO 2/0 SOL (.37 DIA.) [9].
3. NOMINAL BOLT TIGHTENING TORQUE: 480 IN-LBS [55 NM].
4. FINISH: BRITE DIP.
5. UL 467 LISTED, FILE NO. E9999. ACCEPTABLE FOR DIRECT BURIAL.
6. SUITABLE FOR BURIAL IN GROUND OR CONCRETE.
7. DIMENSIONS IN BRACKETS [] ARE IN MILLIMETERS ROUNDED OFF TO THE NEAREST MILLIMETER, UNLESS OTHERWISE SPECIFIED AND ARE FOR REFERENCE ONLY.

TO ORDER BURNDY® PRODUCTS CALL		GROUND CLAMP	
UNITED STATES 1-800-346-4175 (LONDONDERRY, NH)		ITEM NO: 27009372	
CANADA: 1-800-361-6975 (QUEBEC) 1-800-387-6487 (ALL OTHER PROVINCES)		CAT. NO: GD1829CG1	
FOR PRODUCT INFO: http://www.burndy.com		DRAWN BY: PRASAD G 09/26/13	
		CHECKER: --	
		DSN APRVL: --	
		MFG APRVL: --	
		QA APRVL: --	
		MKT APRVL: --	
		PROD FAM: --	
		DRAWING NO	
		50032768	
		REV	
		A	
		SHEET 1 OF 1	