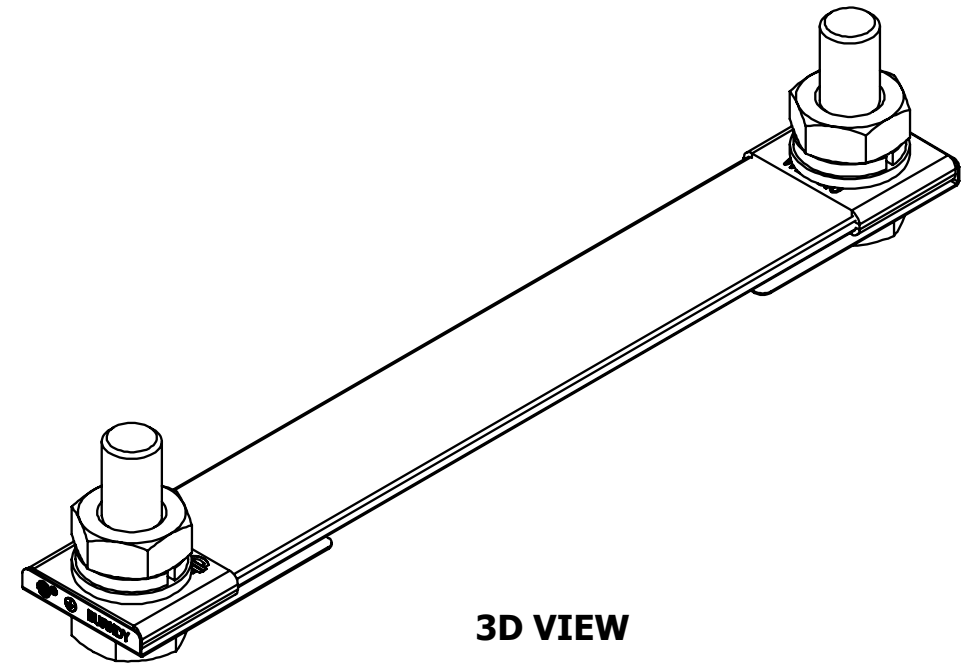
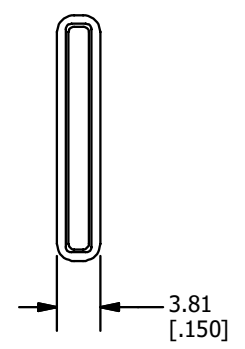
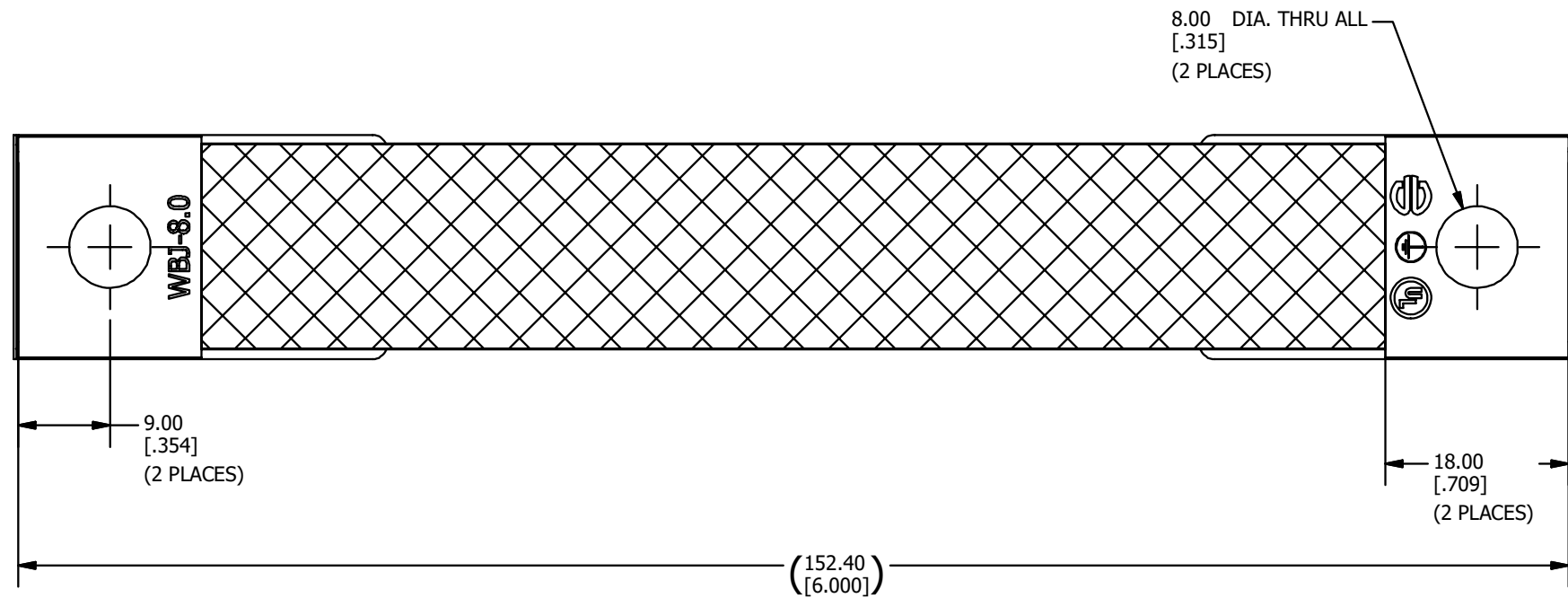


REV	DATE	DESCRIPTION	EC	BY	C'H'K.
B	10/30/2013	DRAWING UPDATE	221110025554	TM	EM



NOTES:

- MATERIAL: BRAID: COPPER
FERRULE: COPPER
FINISH: TIN PLATED
- DIMENSIONS IN BRACKETS [] ARE IN INCHES ROUNDED OFF TO THE NEAREST TENTH, UNLESS OTHERWISE SPECIFIED AND ARE FOR REFERENCE ONLY.

TO ORDER BURNDY® PRODUCTS CALL UNITED STATES 1-800-346-4175 (LONDONDERRY, NH) CANADA: 1-800-387-6487 FOR PRODUCT INFO: http://www.burndy.com		BONDING JUMPER	
		ITEM NO: 50010334 CAT. NO: WEEB-BNDJMP8.0AS	
DRAWN BY: A BHARATH 10-03-2013 CHECKER: P KOVALOV 10-04-2013 DSN APRVL: T OLENICK 10-08-2013 MFG APRVL: M STEVENS 10-04-2013 QA APRVL: J BRODEUR 10-08-2013 MKT APRVL: S PARSONS 10-05-2013 PROD FAM: WILEY			
PROJECT #: DOCUMENT TYPE: Sales REL LEVEL: Released	SIZE: B	DRAWING NO: 50032943	REV: B SHEET 1 OF 1