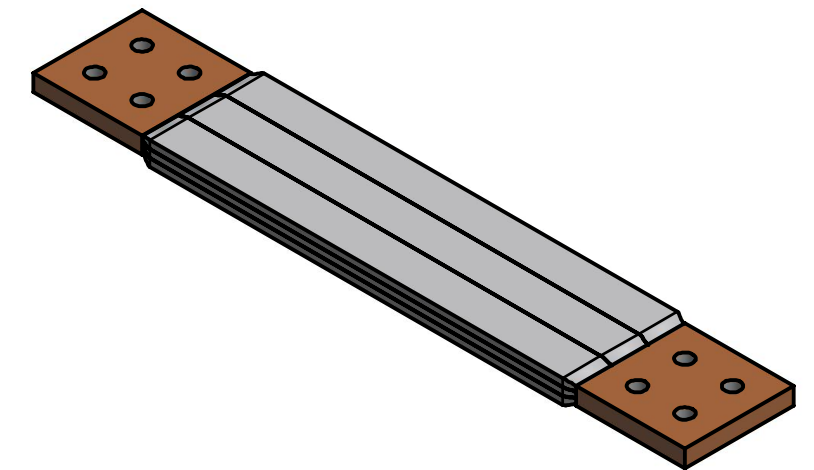
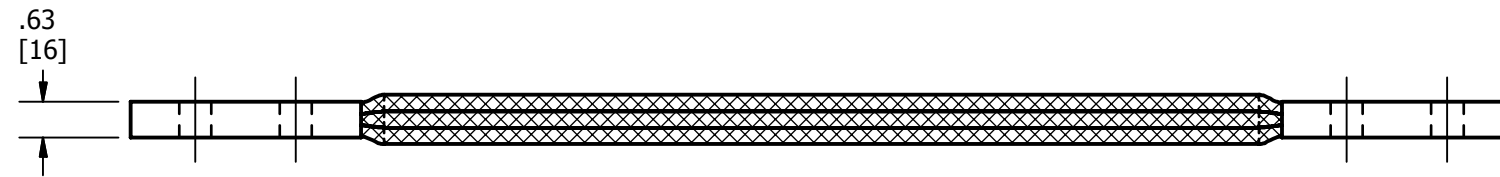
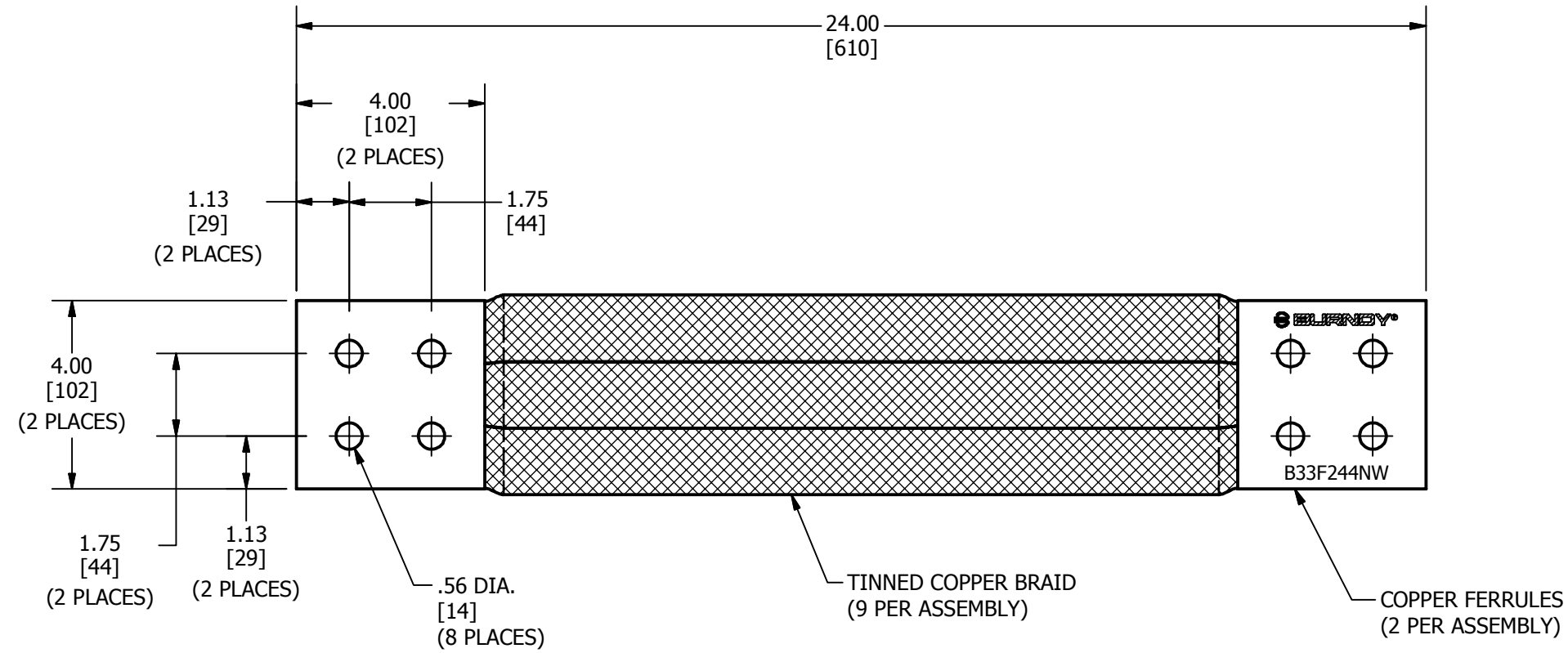


REV	DATE	DESCRIPTION	ECO	BY	C'H'K.
A	10/30/2017	DRAWING RELEASED	47919	PB	MB



NOTES:

- APPROXIMATE AMP RATING: 2000 AMP.
- FINISH: TIN PLATED.
- DIMENSIONS IN BRACKETS [] ARE IN MILLIMETERS ROUNDED OFF TO THE NEAREST MILLIMETER, UNLESS OTHERWISE NOTED, AND ARE FOR REFERENCE ONLY.

TO ORDER BURNDY® PRODUCTS CALL		BRAID	
UNITED STATES 1-800-346-4175 (LONDONDERRY, NH)		ITEM NO: 50032143	
CANADA: 1-800-361-6975 (QUEBEC) 1-800-387-6487 (ALL OTHER PROVINCES)		CAT. NO: B33F244NW	
FOR PRODUCT INFO: http://www.burndy.com		DRAWN BY: YUNARAJ.M 10/4/2013	
		CHECKER: L.TROMBLEY 10/27/2017	
		DSN APRVL: L.TROMBLEY 10/27/2017	
		MFG APRVL: M.STEVENS 10/25/2017	
		QA APRVL: C.LINDQUIST 10/27/2017	
		MKT APRVL: K.ROBICHEAU 10/25/2017	
PROD FAM: --	DRAWING NO	REV	
PROJECT #: --	SIZE	50033081	A
DOCUMENT TYPE: SALES	B	SHEET 1 OF 1	
REL LEVEL: Released			