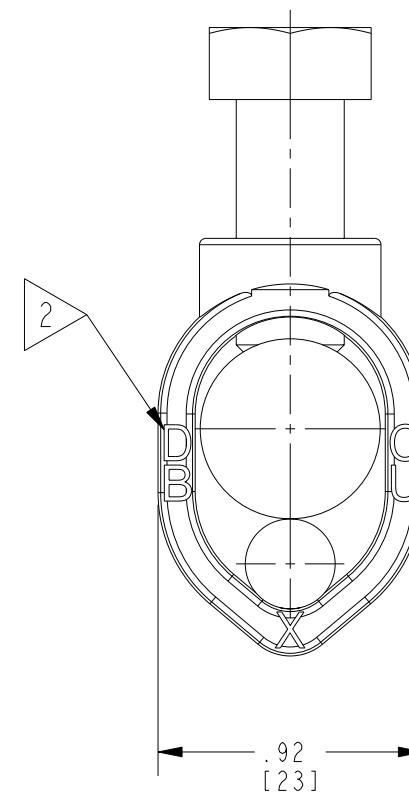
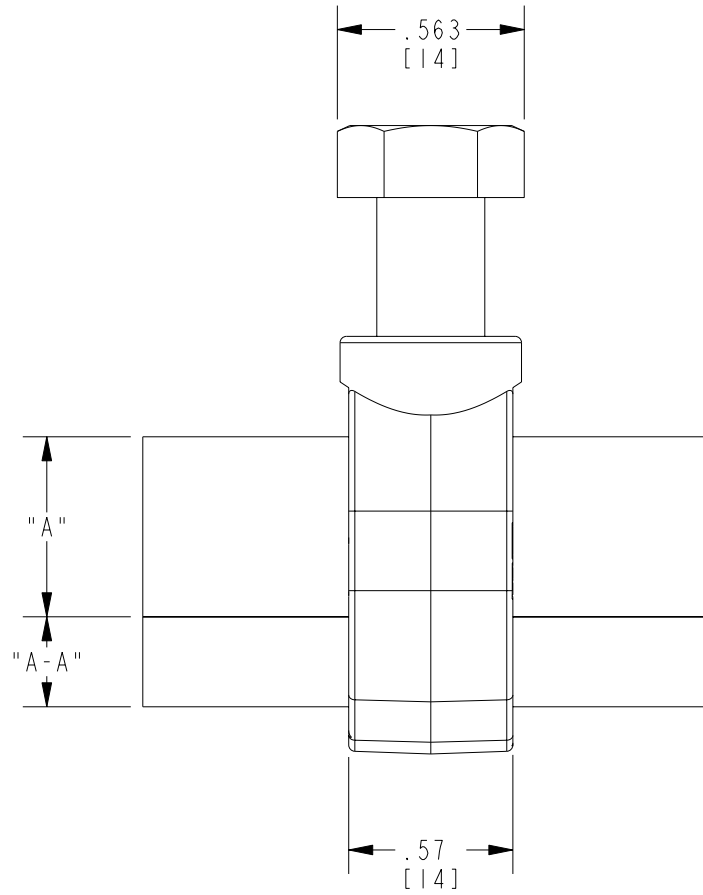
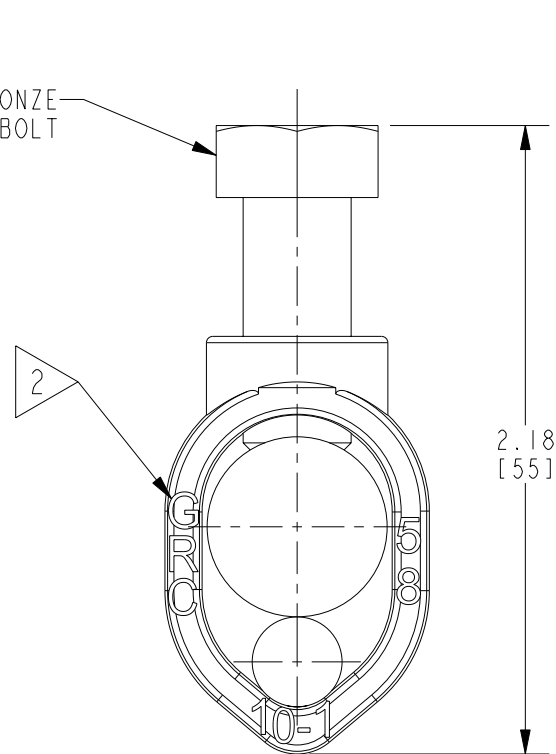


ROD "A"			CABLE "A-A"		RECOMMENDED TORQUE	
NOMINAL O.D.	ACTUAL O.D.		AWG	METRIC WIRE SIZE	IN-LB	N-m
	(IN)	(MM)				
5/8	0.625	[16]	10 SOL(.102) - 1 STR(.332)	6MM ² STR[3.21] - 35MM ² STR[7.62]	240	27.0

REV.	DATE	DESCRIPTION	ECO	BY	C'H'K.
A	05/14/2009 09:39:00 AM	NEW DRAWING CREATED FOR CAT. # GRC58916CF	34513	AD	BSB

3/8-16 SILICON BRONZE
HEX HEAD BOLT



NOTES:

1. MATERIAL: BODY CAST FROM HIGH STRENGTH COPPER ALLOY.

2 TYPICAL LETTERING.

3 REA ACCEPTED.

4. DIMENSIONS IN BRACKETS [] ARE IN MILLIMETERS ROUNDED OFF TO THE NEAREST MILLIMETER UNLESS OTHERWISE NOTED, AND ARE FOR REFERENCE ONLY.

TO ORDER BURNDY® PRODUCTS CALL
 UNITED STATES:
 1-800-346-4175 (LONDONDERRY, NH)
 CANADA:
 1-800-361-6975 (QUEBEC)
 1-800-387-6487 (ALL OTHER PROVINCES)
 FOR PRODUCT INFO: <http://www.burndy.com>

GROUNDING ROD CONNECTOR			
ITEM NO: 258031			
CAT. NO: GRC58916CF			
DRAWN BY: AUGUSTIN	01/08/2014		
CHECKER: L. TROMBLY	01/20/2014		
DSN APPVL: L. TROMBLY	01/20/2014		
MFG APPVL: G. KELLY	01/08/2014		
QA APPVL: J. HILLMAN	01/14/2014		
MKT APPVL: P. THERRIEN	01/08/2014		
PROD FAM: CMR MECHANICAL GROUNDING			
PROJECT #: --	SIZE	50034869	A
DOCUMENT TYPE: Sales	B	SHEET 1 OF 1	
REL LEVEL: Released			

REV: PE0200