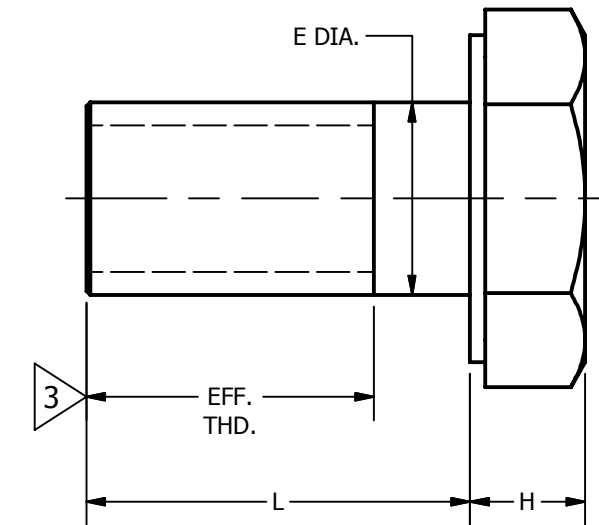
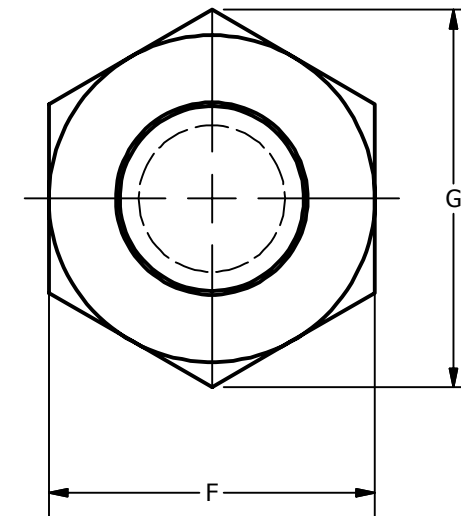


CATALOG NUMBER	NOMINAL SIZE	THREADS PER INCH	E BODY DIA.	F ACROSS FLATS	G ACROSS CORNERS	H HEAD HEIGHT	L BOLT LENGTH
25X50HEBBOX	1/4 (.250)	20	.250 MAX.	.438 .425	.505 .484	.188 .150	.50
25X62HEBBOX							.62
25X75HEBBOX							.75
25X100HEBBOX							1.00
25X125HEBBOX							1.25
25X150HEBBOX							1.50
25X200HEBBOX							2.00
25X250HEBBOX							2.50
25X300HEBBOX							3.00
25X600HEBBOX							6.00

REV	DATE	DESCRIPTION	ECO	BY	C'HK.
B	06/26/2015	UPDATED AS PER MARKUP	40769	RW	MB

BOLT LENGTH TOLERANCES	
NOMINAL LENGTH	NOMINAL SIZE
UP TO 1 IN., INCL.	+ .02 - .03
OVER 1 IN. TO 2 1/2 IN., INCL.	+ .02 - .04
OVER 2 1/2 IN. TO 4 IN., INCL.	+ .04 - .06
OVER 4 IN. TO 6 IN., INCL.	+ .06 - .10
LONGER THAN 6 IN.	+ .12 - .18



NOTES:

- MATERIAL : SILICON BRONZE.
- ALL THREADS ARE OF THE UNIFIED NATIONAL COARSE THREAD SERIES - CLASS 2A.
- ALL HEX. HEAD BOLTS UP TO AND INCLUDING 2" IN LENGTH SHALL BE FULLY THREADED.
ALL HEX. HEAD BOLTS OVER 2" IN LENGTH SHALL HAVE A MINIMUM EFFECTIVE THREAD OF 2".
- SEE TABLE FOR BOLT LENGTH TOLERANCES.
- FOR TIN PLATING ADD SUFFIX "ET"
- VARIOUS BOX SIZES AVAILABLE UPON REQUEST. PLEASE CONTACT BURNDY CUSTOMER SERVICE FOR DETAILS.

REFERENCE: DA084323-01

TO ORDER BURNDY® PRODUCTS CALL		BOLT, SILICON BRONZE	
UNITED STATES 1-800-346-4175 (LONDONDERRY, NH)		ITEM NO: SEE TABLE	
CANADA: 1-800-361-6975 (QUEBEC) 1-800-387-6487 (ALL OTHER PROVINCES)		CAT. NO: SEE TABLE	
FOR PRODUCT INFO: http://www.burndy.com		DRAWN BY: PRASAD 01/20/14	
		CHECKER: T REYNOLDS 02/12/14	
		DSN APRVL: T REYNOLDS	
		MFG APRVL: G KELLY 01/28/14	
		QA APRVL:	
		MKT APRVL:	
		PROD FAM: --	
		DRAWING NO	
		50037908	
		REV	
		B	
		SHEET 1 OF 3	

CATALOG NUMBER 5	NOMINAL SIZE	THREADS PER INCH 2	E BODY DIA.	F ACROSS FLATS	G ACROSS CORNERS	H HEAD HEIGHT	L BOLT LENGTH 4
38X50HEBBOX	3/8 (.375)	16	.375 MAX.	.562 .544	.650 .620	.268 .226	.50
38X62HEBBOX							.62
38X75HEBBOX							.75
38X88HEBBOX							.88
38X100HEBBOX							1.00
38X125HEBBOX							1.25
38X150HEBBOX							1.50
38X175HEBBOX							1.75
38X200HEBBOX							2.00
38X225HEBBOX							2.25
38X250HEBBOX							2.50
38X275HEBBOX							2.75
38X300HEBBOX							3.00
38X325HEBBOX							3.25
38X350HEBBOX							3.50
38X400HEBBOX							4.00
38X450HEBBOX	4.50						
38X500HEBBOX	5.00						

REV	DATE	DESCRIPTION	ECO	BY	C'H'K.
B	06/26/2015	UPDATED AS PER MARKUP	40769	RW	MB

REFERENCE: DA084325-01

REFER SHEET #1 FOR NOTES AND BOLT LENGTH TOLERANCES.

TO ORDER BURNDY® PRODUCTS CALL		BOLT, SILICON BRONZE	
UNITED STATES 1-800-346-4175 (LONDONDERRY, NH)		ITEM NO: SEE TABLE	
CANADA: 1-800-361-6975 (QUEBEC) 1-800-387-6487 (ALL OTHER PROVINCES)		CAT. NO: SEE TABLE	
FOR PRODUCT INFO: http://www.burndy.com		DRAWN BY: PRASAD 01/20/14	
		CHECKER: T REYNOLDS 02/12/14	
		DSN APRVL: T REYNOLDS	
		MFG APRVL: G KELLY 01/28/14	
		QA APRVL:	
		MKT APRVL:	
		PROJ FAM: --	
		DRAWING NO	
		50037908	
		REV	
		B	
		SHEET 2 OF 3	

REV	DATE	DESCRIPTION	ECO	BY	C'H'K.
B	06/26/2015	UPDATED AS PER MARKUP	40769	RW	MB

CATALOG NUMBER 5	NOMINAL SIZE	THREADS PER INCH 2	E BODY DIA.	F ACROSS FLATS	G ACROSS CORNERS	H HEAD HEIGHT	L BOLT LENGTH 4
50X75HEBBOX	1/2 (.500)	13	.500 MAX.	.750 .725	.866 .826	.364 .302	.75
50X100HEBBOX							1.00
50X125HEBBOX							1.25
50X150HEBBOX							1.50
50X175HEBBOX							1.75
50X200HEBBOX							2.00
50X225HEBBOX							2.25
50X250HEBBOX							2.50
50X275HEBBOX							2.75
50X300HEBBOX							3.00
50X325HEBBOX							3.25
50X350HEBBOX							3.50
50X375HEBBOX							3.75
50X400HEBBOX							4.00
50X450HEBBOX							4.50
50X500HEBBOX							5.00
50X550HEBBOX	5.50						
50X600HEBBOX	6.00						

REFERENCE: DA084327-01

REFER SHEET #1 FOR NOTES AND BOLT LENGTH TOLERANCES.

TO ORDER BURNDY® PRODUCTS CALL		BOLT, SILICON BRONZE	
UNITED STATES 1-800-346-4175 (LONDONDERRY, NH)		ITEM NO: SEE TABLE	
CANADA: 1-800-361-6975 (QUEBEC) 1-800-387-6487 (ALL OTHER PROVINCES)		CAT. NO: SEE TABLE	
FOR PRODUCT INFO: http://www.burndy.com		DRAWN BY: PRASAD 01/20/14	
		CHECKER: T REYNOLDS 02/12/14	
		DSN APRVL: T REYNOLDS	
		MFG APRVL: G KELLY 01/28/14	
		QA APRVL:	
		MKT APRVL:	
		PROD FAM: --	
		DRAWING NO	
		50037908	
		REV	
		B	
		SHEET 3 OF 3	