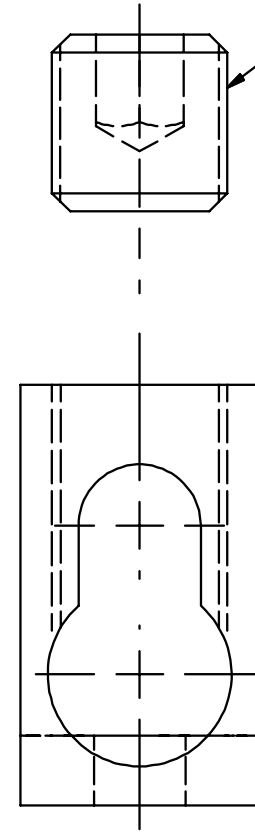
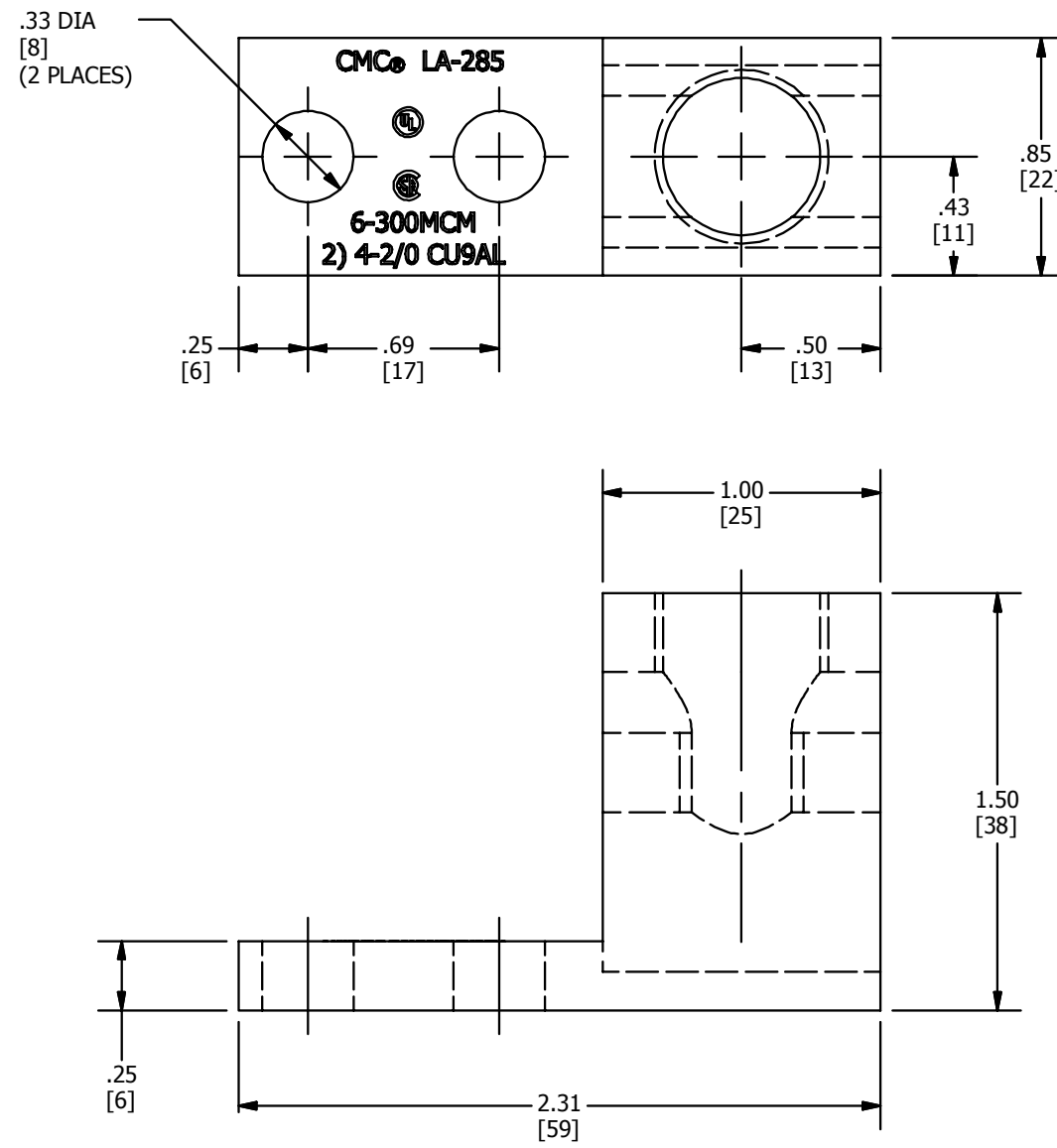
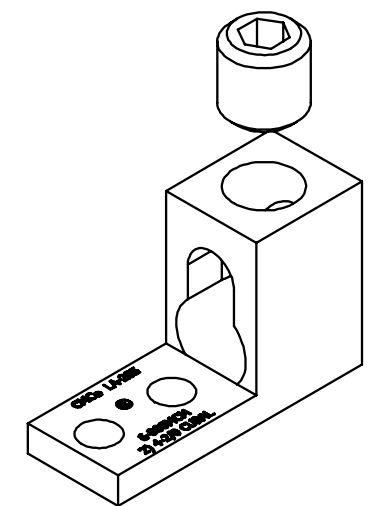


REV	DATE	DESCRIPTION	ECO	BY	CHK.
B	11/20/2014	ADDED "CSA" TO DRAWING	38438	DK	MA



SCREW IS SUPPLIED WITH CONNECTOR AND COMES FULLY ASSEMBLED.



- NOTES:
1. MATERIAL - BODY: ALUMINUM TIN PLATED
MATERIAL - SCREW - ALUMINUM TIN PLATED
 2. CONNECTORS ARE UL LISTED TO UL486A - UL486B FPR ALUMINUM AND COPPER CONDUCTORS AT 90° "C" (AL9CU).
 3. CONDUCTOR RANGE ALUMINUM OR COPPER:
ONE CONDUCTOR FROM #6 - 300MCM OR
TWO CONDUCTORS OF EQUAL SIZE FROM #4 - 2/0
 4. RECOMMENDED TIGHTENING TORQUE 275 IN / LBS OR (31 N.m).
 5. DIMENSIONS IN BRACKETS [] ARE IN MILLIMETERS ROUNDED OFF TO THE NEAREST MILLIMETER, UNLESS OTHERWISE SPECIFIED.

TO ORDER BURNDY® PRODUCTS CALL		UNIVERSAL TERMINAL	
UNITED STATES 1-800-346-4175 (LONDONDERRY, NH)		ITEM NO: 50030415	
CANADA: 1-800-361-6975 (QUEBEC) 1-800-387-6487 (ALL OTHER PROVINCES)		CAT. NO: KA30226U	
FOR PRODUCT INFO: http://www.burndy.com		DRAWN BY: PRASAD 1/17/2014	
		CHECKER: A MONTMINY 3/3/2014	
		DSN APRVL: A MONTMINY 3/3/2014	
		MFG APRVL: M SMITH 2/28/2014	
		QA APRVL: C KOWALCZYK 3/3/2014	
		MKT APRVL: M BAILY 3/2/2014	
		PROD FAM: --	
		PROJECT #: --	
		DOCUMENT TYPE: SALES	
		REL LEVEL: Released	
		SIZE	DRAWING NO
		B	50038315
			SHEET 1 OF 1
			REV
			B