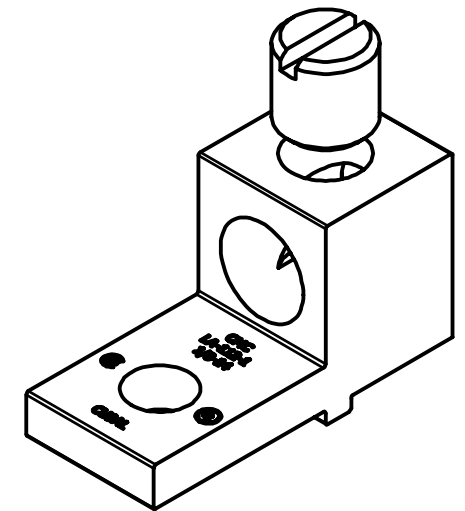
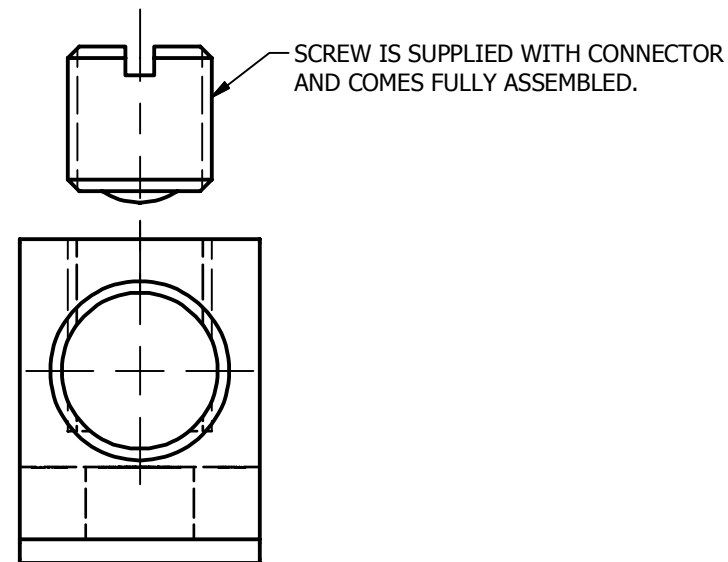
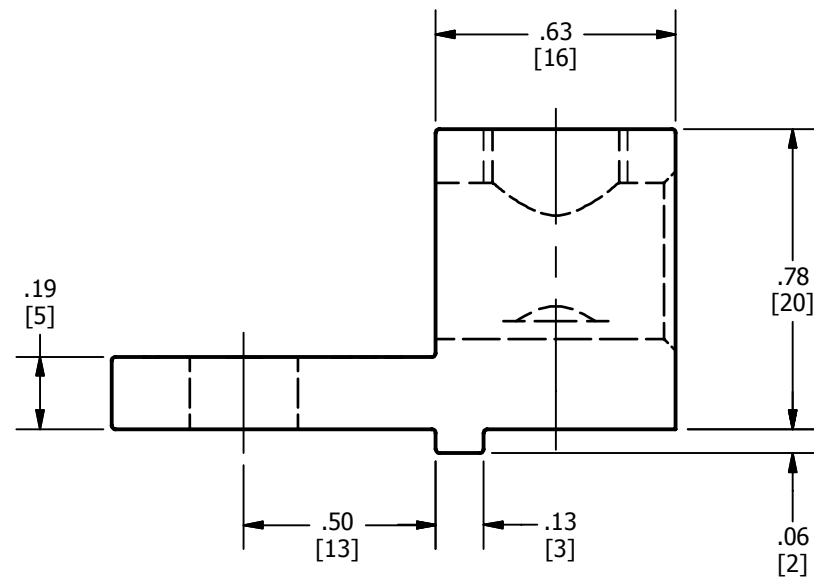
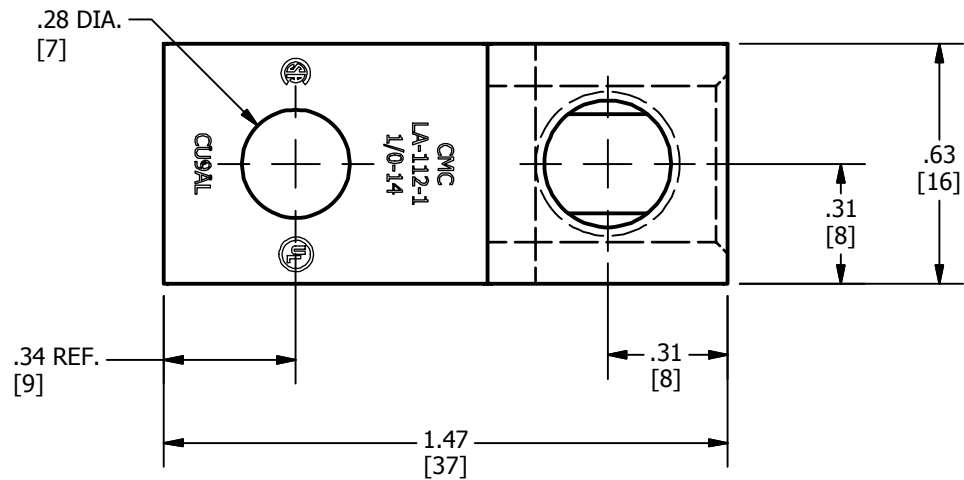


REV	DATE	DESCRIPTION	ECO	BY	C'H.K.
B	08/27/2014	MODEL UPDATED AS PER MARKUP	37587	PB	DD



NOTES:

1. MATERIAL - BODY: ALUMINUM TIN PLATED
MATERIAL - SCREW - ALUMINUM TIN PLATED
2. CONNECTORS ARE UL LISTED TO UL486A - UL486B FPR ALUMINUM AND COPPER CONDUCTORS AT 90° "C" (AL9CU).
3. CONDUCTOR RANGE ALUMINUM OR COPPER:
ONE CONDUCTOR FROM 1/0 - #14.
4. RECOMMENDED TIGHTENING TORQUE 50 IN / LBS OR (6 N.m).
5. DIMENSIONS IN BRACKETS [] ARE IN MILLIMETERS ROUNDED OFF TO THE NEAREST MILLIMETER, UNLESS OTHERWISE SPECIFIED.

TO ORDER BURNDY® PRODUCTS CALL		UNIVERSAL ANTI-ROTATIONAL TERMINAL	
UNITED STATES		ITEM NO: 10043307	
1-800-346-4175 (LONDONDERRY, NH)		CAT. NO: KA25UAR	
CANADA:		DRAWN BY: PRASAD 1/17/2014	
1-800-361-6975 (QUEBEC)		CHECKER: A MONTMINY 3/3/2014	
1-800-387-6487 (ALL OTHER PROVINCES)		DSN APRVL: A MONTMINY 3/3/2014	
FOR PRODUCT INFO: http://www.burndy.com		MFG APRVL: M SMITH 2/28/2014	
		QA APRVL: C KOWALCZYK 3/3/2014	
		MKT APRVL: M BAILY 3/2/2014	
PROD FAM: --	DRAWING NO	REV	
PROJECT #: --	SIZE	50038319	B
DOCUMENT TYPE: SALES	B	SHEET 1 OF 1	
REL LEVEL: Released			