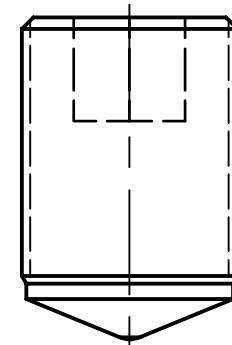
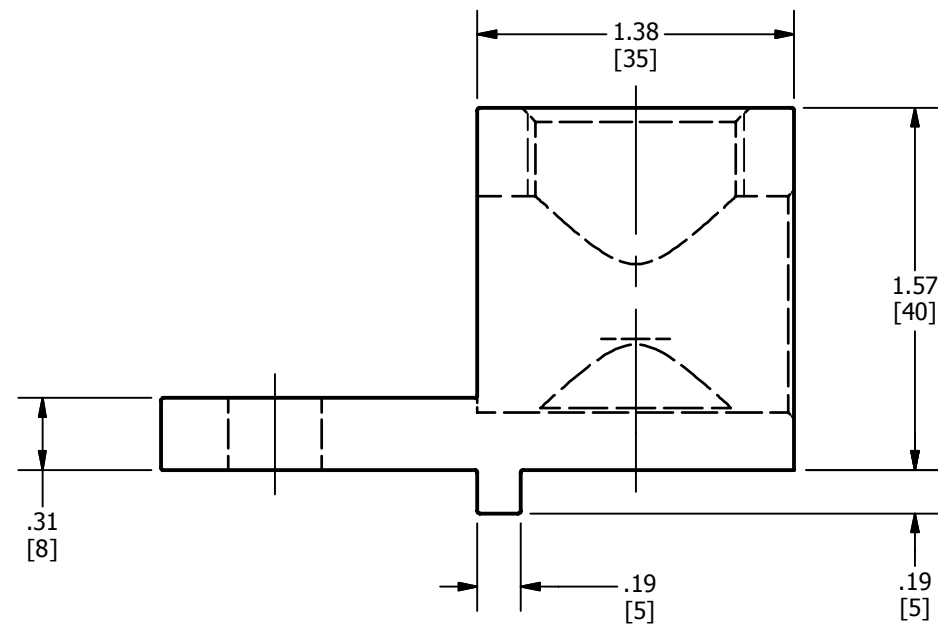
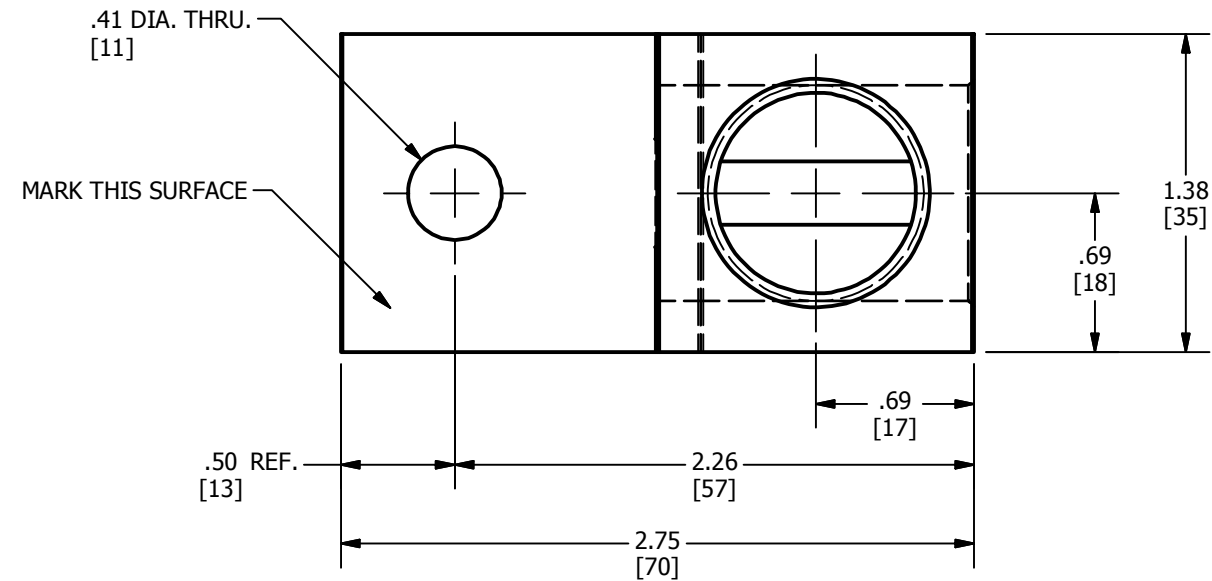


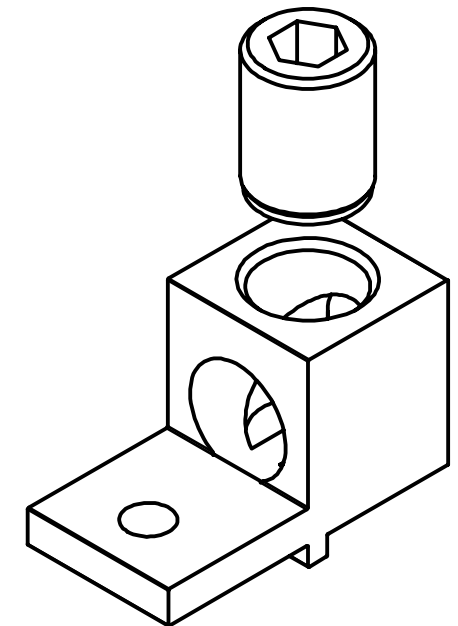
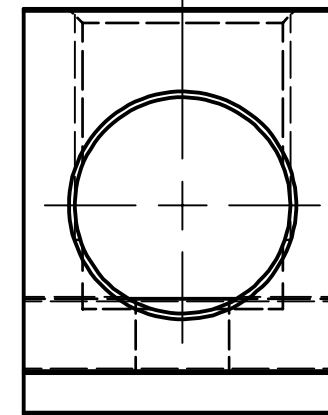
REV	DATE	DESCRIPTION	ECO	BY	C'H'K.
B	10/16/2017	UPDATED AS PER MU	47838	BK	MB



SCREW IS SUPPLIED WITH CONNECTOR AND COMES FULLY ASSEMBLED.

**MARKING**

CMC  
LA-600R  
600kcmil-4  
CU9AL



**NOTES:**

1. MATERIAL - BODY: ALUMINUM TIN PLATED  
MATERIAL - SCREW - ALUMINUM TIN PLATED
2. CONNECTORS ARE UL LISTED TO UL486A - UL486B FPR ALUMINUM AND COPPER CONDUCTORS AT 90° "C" (AL9CU).
3. CONDUCTOR RANGE ALUMINUM OR COPPER:  
ONE CONDUCTOR FROM 600Kcmil - #4.
4. RECOMMENDED TIGHTENING TORQUE 500 IN / LBS OR (56 N.m).
5. DIMENSIONS IN BRACKETS [ ] ARE IN MILLIMETERS ROUNDED OFF TO THE NEAREST MILLIMETER, UNLESS OTHERWISE SPECIFIED.

TO ORDER BURNDY® PRODUCTS CALL		UNIVERSAL ANTI-ROTATIONAL TERMINAL	
UNITED STATES 1-800-346-4175 (LONDONDERRY, NH)		ITEM NO: 50030424	
CANADA: 1-800-361-6975 (QUEBEC) 1-800-387-6487 (ALL OTHER PROVINCES)		CAT. NO: KA36UAR	
FOR PRODUCT INFO: <a href="http://www.burndy.com">http://www.burndy.com</a>		DRAWN BY: PRASAD 1/17/2014	
		CHECKER: A.MONTMINY 3/3/2014	
		DSN APRVL: T.REYNOLDS 10/13/2017	
		MFG APRVL: M.SMITH 2/28/2014	
		QA APRVL: B.POST 10/13/2017	
		MKT APRVL: M.BAILLY 3/2/2014	
PROJ #:	SIZE	DRAWING NO	REV
PROJECT #:	B	50038324	B
DOCUMENT TYPE: SALES			
REL LEVEL: Released		SHEET 1 OF 1	