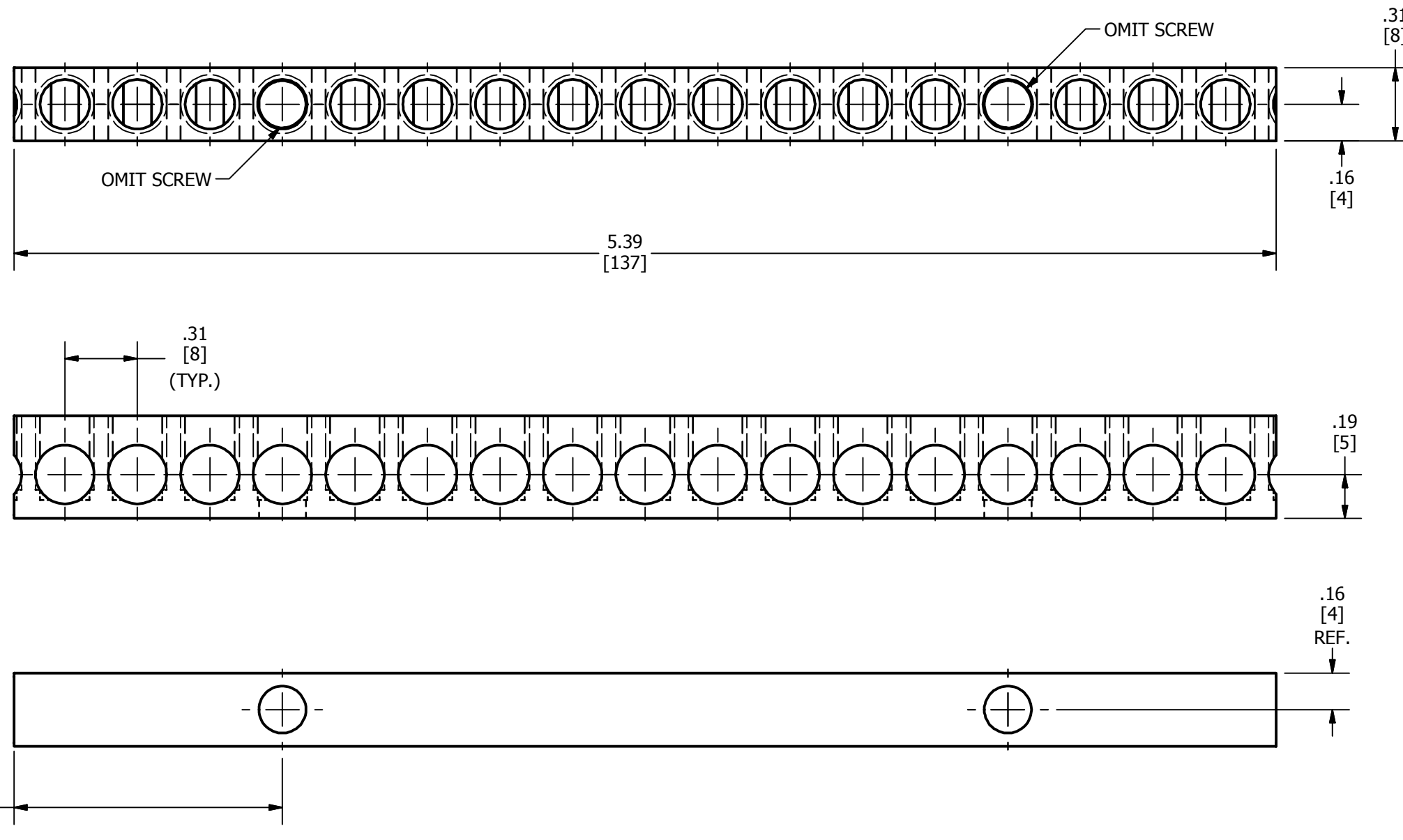
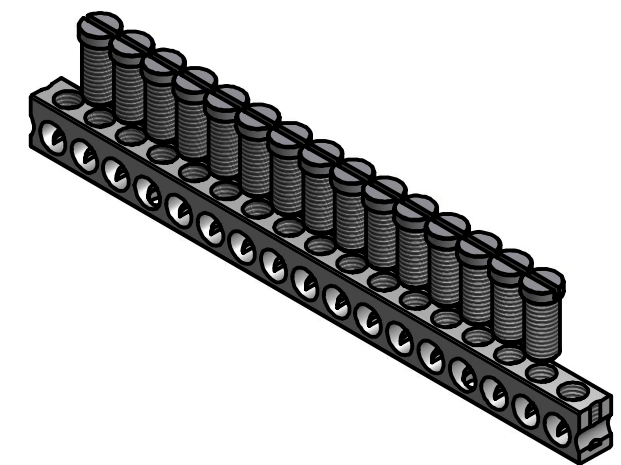
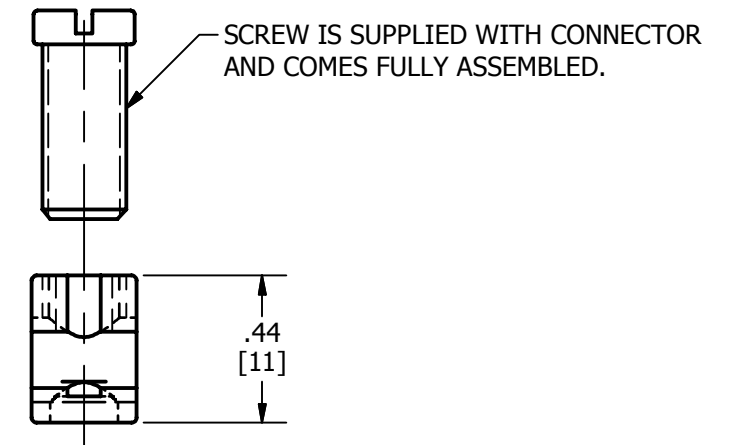
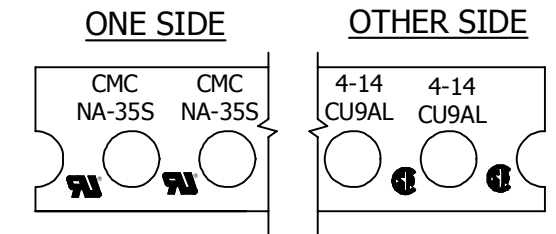


REV	DATE	DESCRIPTION	ECO	BY	CH'K
C	09/17/2014	OMIT SCREW POSITION CHANGED	37835	VK	PB

MARKING



NOTES:

1. MATERIAL - BODY: ALUMINUM TIN PLATED
MATERIAL - SCREW: STEEL ZINC PLATED
2. CONDUCTOR RANGE ALUMINUM OR COPPER: #4 - #14
3. CONNECTOR IS UL RECOGNIZED.
4. DIMENSIONS IN BRACKETS [] ARE IN MILLIMETERS ROUNDED OFF TO THE NEAREST MILLIMETER, UNLESS OTHERWISE SPECIFIED.

TO ORDER BURNDY® PRODUCTS CALL		ALUMINUM NEUTRAL BAR ASSEMBLY	
UNITED STATES 1-800-346-4175 (LONDONDERRY, NH)		ITEM NO: 50035674	
CANADA: 1-800-361-6975 (QUEBEC) 1-800-387-6487 (ALL OTHER PROVINCES)		CAT. NO: K15P4CAG1	
FOR PRODUCT INFO: http://www.burndy.com		DRAWN BY: V KAMAL 01/21/2014	
		CHECKER: A MONTMINY 03/03/2014	
		DSN APRVL: A MONTMINY 03/03/2014	
		MFG APRVL: M SMITH 02/28/2014	
		QA APRVL: C KOWALCZYK 03/03/2014	
		MKT APRVL: M BAILY 03/02/2014	
		PROD FAM: --	
		DRAWING NO	
		50038329	
		REV	
		C	
		SHEET 1 OF 1	