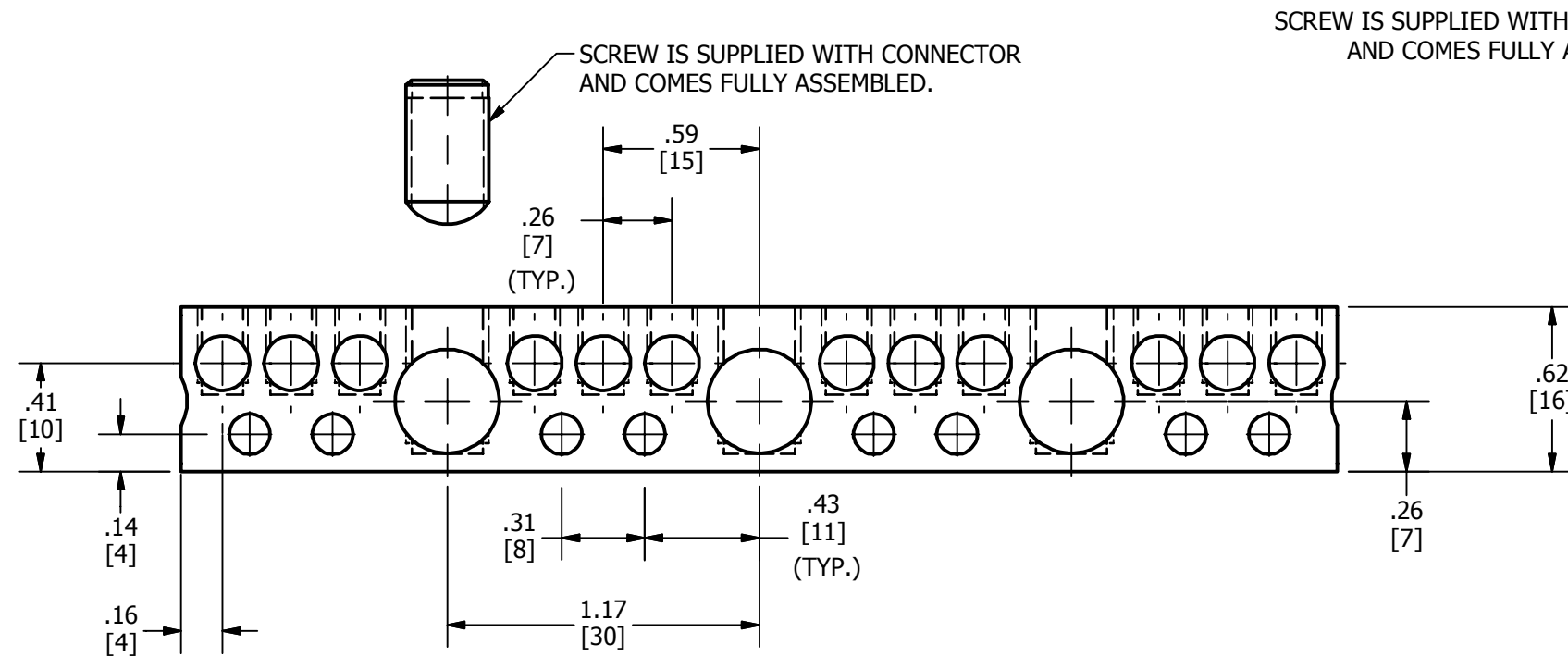
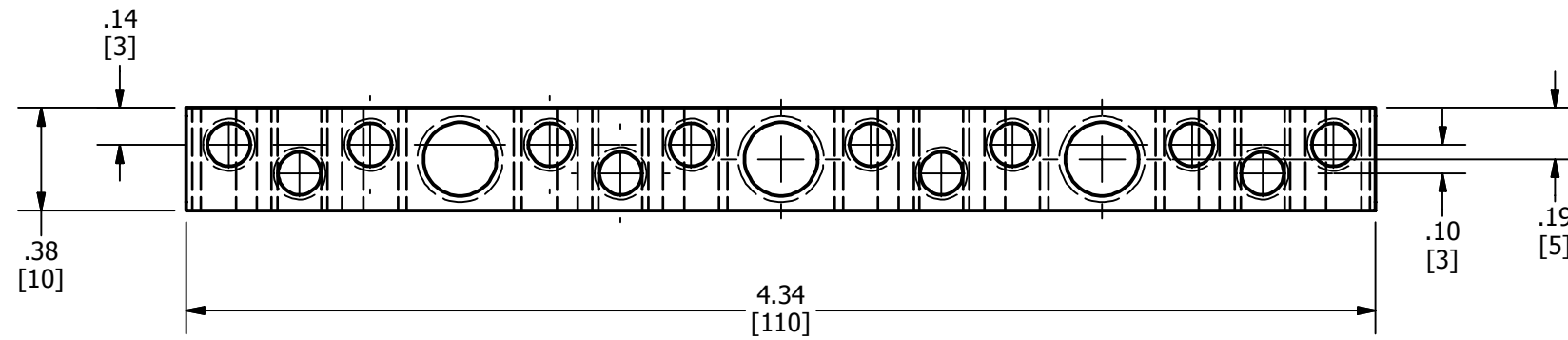
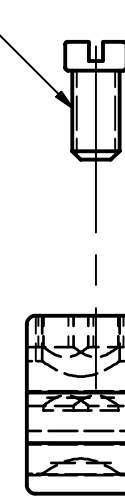


REV	DATE	DESCRIPTION	ECO	BY	CHK
A	01/30/2014	DRAWING RELEASED	34508	VK	PB

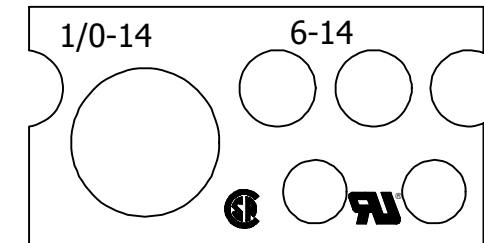


SCREW IS SUPPLIED WITH CONNECTOR AND COMES FULLY ASSEMBLED.

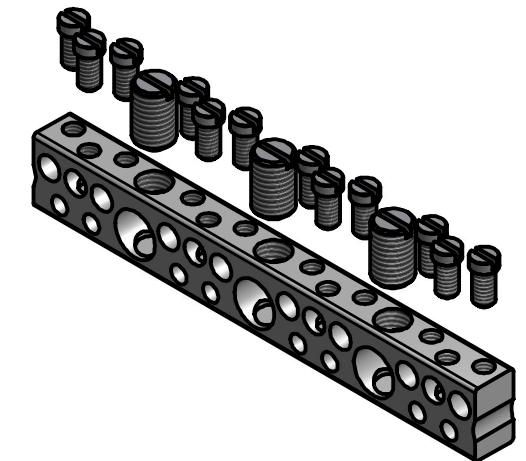
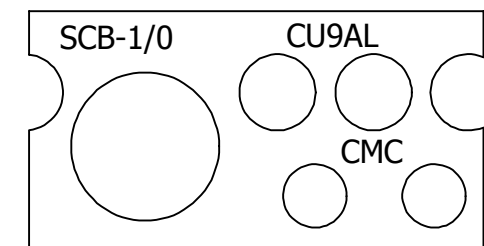


MARKING

ONE SIDE



OTHER SIDE



NOTES:

1. MATERIAL - BODY: ALUMINUM TIN PLATED
MATERIAL - SCREW: STEEL ZINC PLATED
2. CONDUCTOR RANGE ALUMINUM OR COPPER: 1/0 - #14 OR TWO CONDUCTORS OF EQUAL SIZE FROM #6 - #14
3. CONNECTOR IS UL RECOGNIZED.
4. DIMENSIONS IN BRACKETS [] ARE IN MILLIMETERS ROUNDED OFF TO THE NEAREST MILLIMETER, UNLESS OTHERWISE SPECIFIED.

TO ORDER BURNDY® PRODUCTS CALL		ALUMINUM NEUTRAL BAR ASSEMBLY	
UNITED STATES 1-800-346-4175 (LONDONDERRY, NH)		ITEM NO: 50032154	
CANADA: 1-800-361-6975 (QUEBEC) 1-800-387-6487 (ALL OTHER PROVINCES)		CAT. NO: K12P6C3P1/0CAG1	
FOR PRODUCT INFO: http://www.burndy.com		DRAWN BY: V KAMAL 21-01-2014	
		CHECKER: A MONTMINY 03-03-2014	
		DSN APRVL: A MONTMINY 03-03-2014	
		MFG APRVL: M SMITH 28-02-2014	
		QA APRVL: C KOWALCZYK 03-03-2014	
		MKT APRVL: M BAILY 02-03-2014	
		PROD FAM: --	
		DRAWING NO	
		50038331	
		REV	
		A	
		SHEET 1 OF 1	