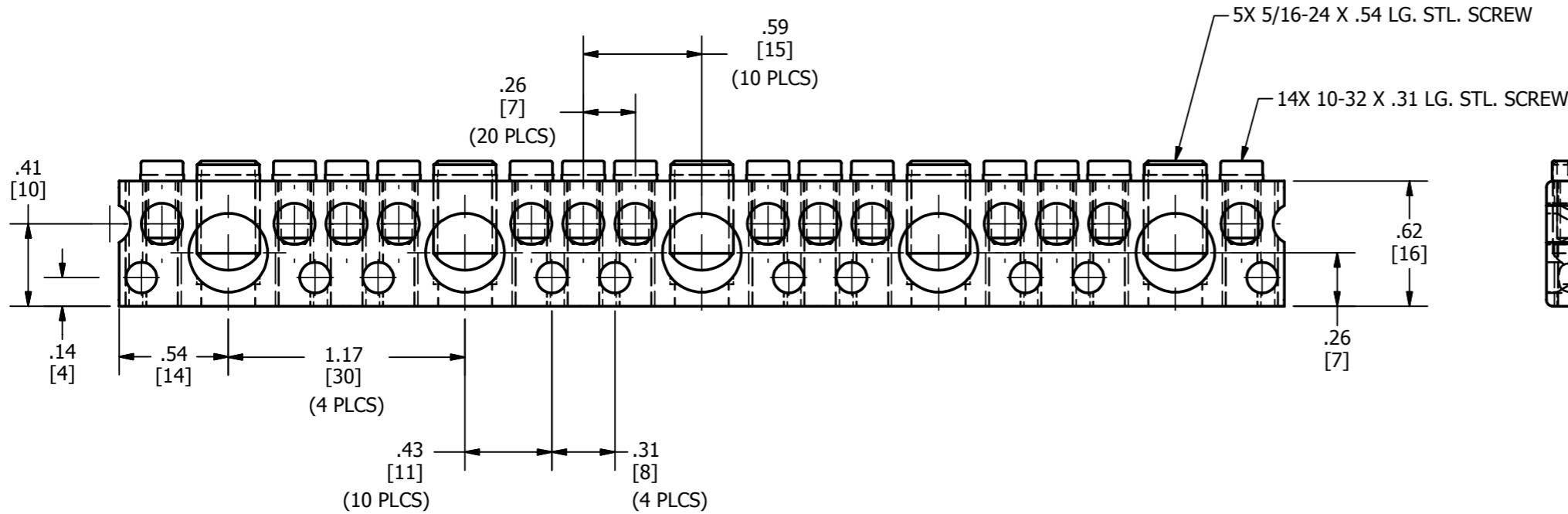
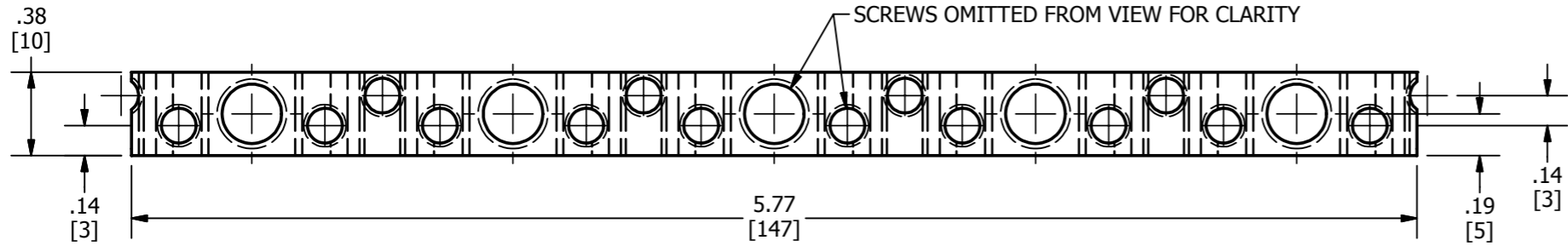
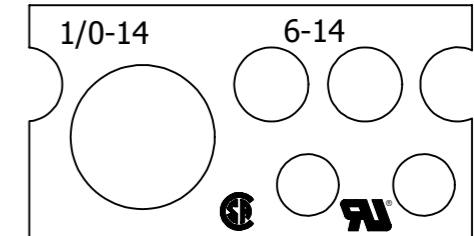


REV	DATE	DESCRIPTION	ECO	BY	CHK
B	08/01/2014	UPDATED AS PER MARKUP	37122	DK	MA

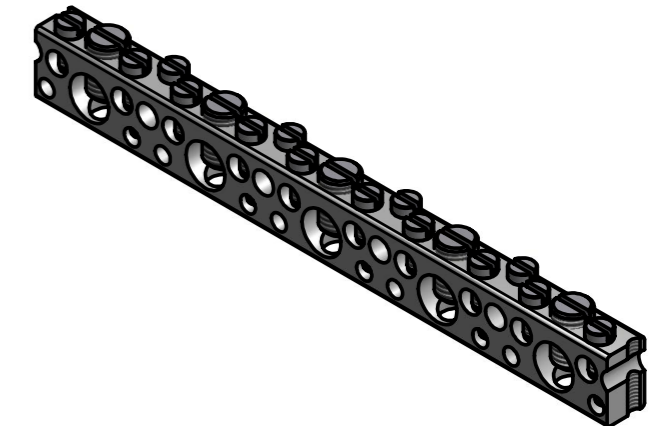
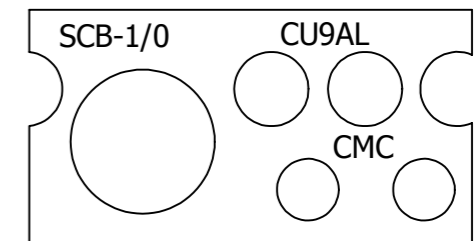


MARKING

ONE SIDE



OTHER SIDE



NOTES:

- MATERIAL - BODY: ALUMINUM TIN PLATED
MATERIAL - SCREW: STEEL ZINC PLATED
- CONDUCTOR RANGE ALUMINUM OR COPPER: 1/0 - #14 OR TWO CONDUCTORS OF EQUAL SIZE FROM #6 - #14
- CONNECTOR IS UL RECOGNIZED.
- DIMENSIONS IN BRACKETS [] ARE IN MILLIMETERS ROUNDED OFF TO THE NEAREST MILLIMETER, UNLESS OTHERWISE SPECIFIED.

TO ORDER BURNDY® PRODUCTS CALL		ALUMINUM NEUTRAL BAR ASSEMBLY													
UNITED STATES 1-800-346-4175 (LONDONDERRY, NH)		ITEM NO: 50035676													
CANADA: 1-800-361-6975 (QUEBEC) 1-800-387-6487 (ALL OTHER PROVINCES)		CAT. NO: K14P6C5P1/0CAG1													
FOR PRODUCT INFO: http://www.burndy.com		<table border="1"> <tr> <td>DRAWN BY: V KAMAL</td> <td>1/21/2014</td> </tr> <tr> <td>CHECKER: A MONTMINY</td> <td>3/3/2014</td> </tr> <tr> <td>DSN APRVL: A MONTMINY</td> <td>3/3/2014</td> </tr> <tr> <td>MFG APRVL: M SMITH</td> <td>2/28/2014</td> </tr> <tr> <td>QA APRVL: C KOWALCZYK</td> <td>3/3/2014</td> </tr> <tr> <td>MKT APRVL: M BAILY</td> <td>3/2/2014</td> </tr> </table>		DRAWN BY: V KAMAL	1/21/2014	CHECKER: A MONTMINY	3/3/2014	DSN APRVL: A MONTMINY	3/3/2014	MFG APRVL: M SMITH	2/28/2014	QA APRVL: C KOWALCZYK	3/3/2014	MKT APRVL: M BAILY	3/2/2014
DRAWN BY: V KAMAL	1/21/2014														
CHECKER: A MONTMINY	3/3/2014														
DSN APRVL: A MONTMINY	3/3/2014														
MFG APRVL: M SMITH	2/28/2014														
QA APRVL: C KOWALCZYK	3/3/2014														
MKT APRVL: M BAILY	3/2/2014														
PROJ FAM: --		DRAWING NO													
PROJECT #: --		50038332													
DOCUMENT TYPE: SALES		REV													
REL LEVEL: Released		B													
		SHEET 1 OF 1													