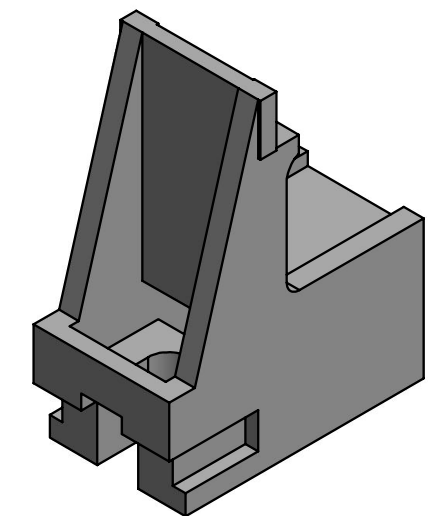
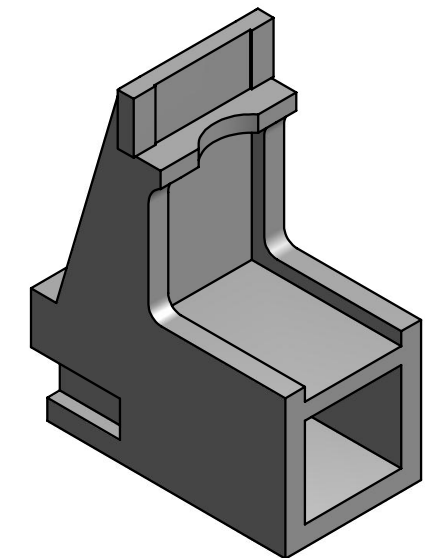
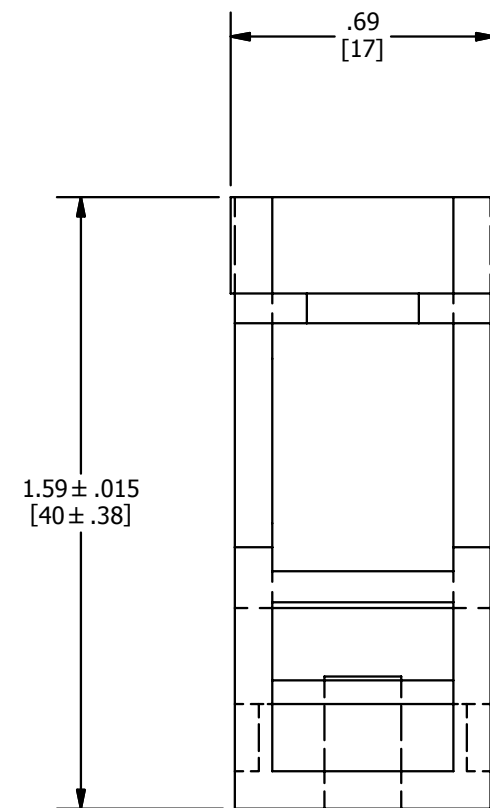
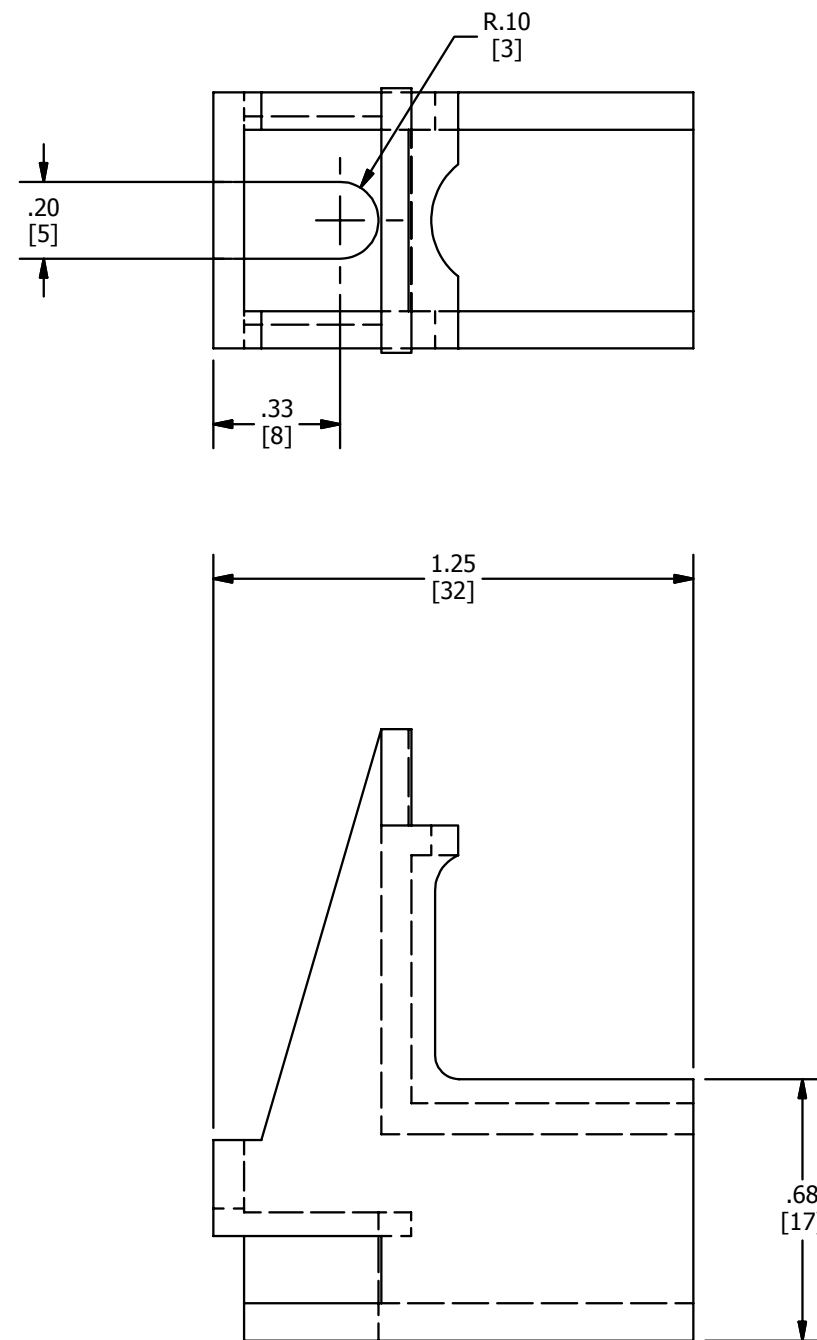


REV	DATE	DESCRIPTION	ECO	BY	CHK.
B	03/31/2014	UPDATED AS PER MARKUP	35387	SVY	MB



NOTES:

1. MATERIAL: BLACK PVC PLASTIC CMS-45.
2. DIMENSIONS IN BRACKETS [] ARE IN MILLIMETERS ROUNDED OFF TO THE NEAREST MILLIMETER, UNLESS OTHERWISE SPECIFIED AND ARE FOR REFERENCE ONLY.

TO ORDER BURNDY® PRODUCTS CALL		PLASTIC MTG BRACKET FOR SCB1/0	
UNITED STATES		ITEM NO: 50032159	
1-800-346-4175 (LONDONDERRY, NH)		CAT. NO: KAG1MTGBRKT	
CANADA:		DRAWN BY: V KAMAL 1/21/2014	
1-800-361-6975 (QUEBEC)		CHECKER: A MONTMINY 3/3/2014	
1-800-387-6487 (ALL OTHER PROVINCES)		DSN APRVL: A MONTMINY 3/3/2014	
FOR PRODUCT INFO: http://www.burndy.com		MFG APRVL: M SMITH 2/28/2014	
		QA APRVL: C KOWALCZYK 3/3/2014	
		MKT APRVL: M BAILY 3/2/2014	
		PROD FAM: --	
		DRAWING NO	
		50038334	
		REV	
		B	
		SHEET 1 OF 1	