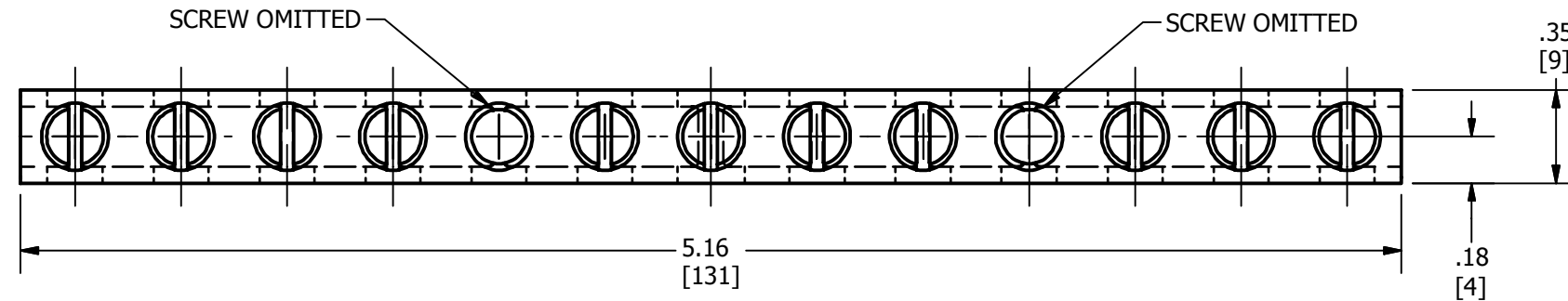


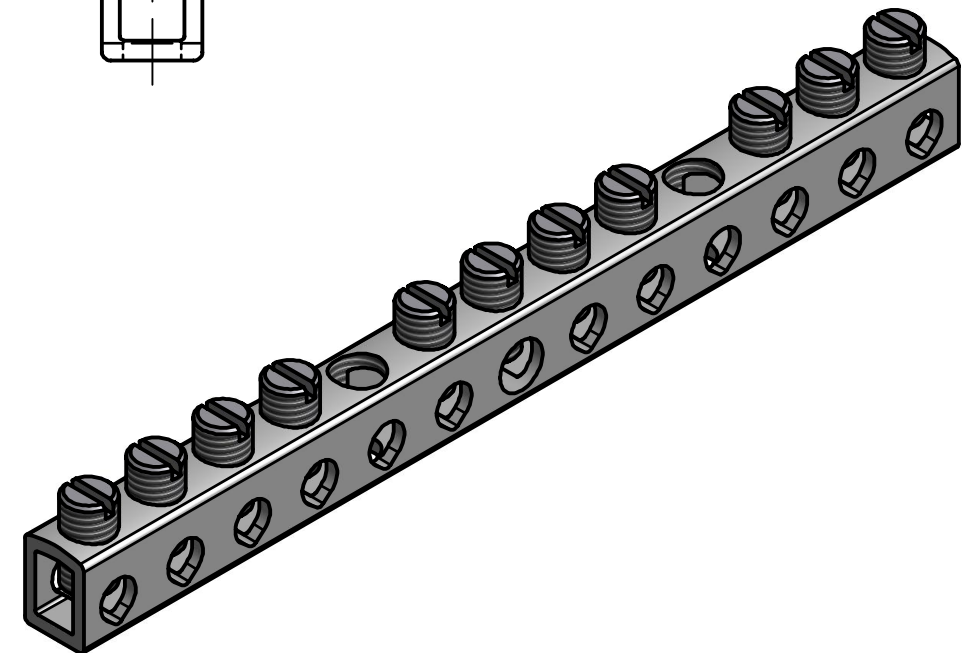
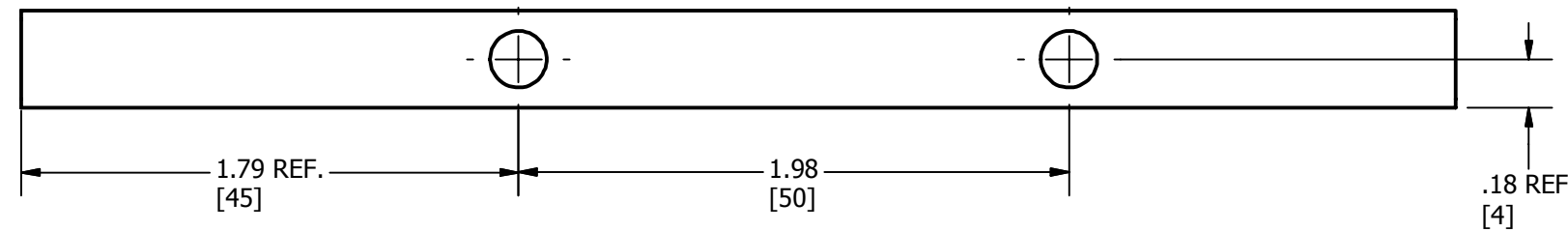
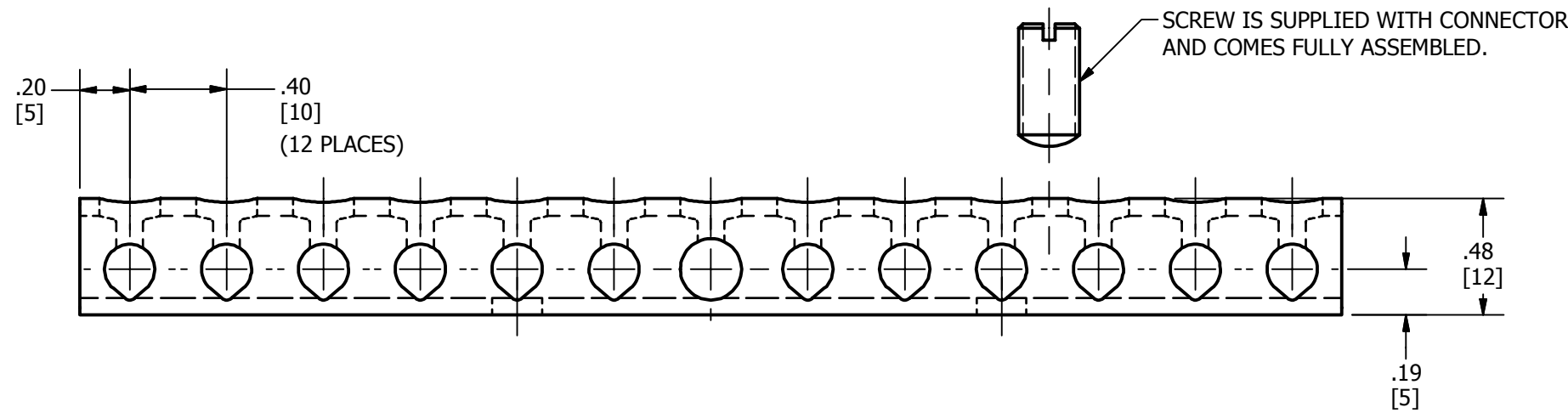
REV	DATE	DESCRIPTION	ECO	BY	CHK.
A	01/31/2014	NEW DRAWING CREATION	34508	DD	VK



MUST BE OVER .250 DIA. HOLE

MARK

6-14 CMC ~~4-14~~ CMC 6-14
CU N-70 CU N-70 CU



NOTES:

- MATERIAL - BODY: COPPER (PLAIN FINISH)
MATERIAL - SCREW: STEEL ZINC PLATED
- CONDUCTOR RANGE ALUMINUM OR COPPER: #4 - #14
- CONNECTOR IS UL RECOGNIZED.
- DIMENSIONS IN BRACKETS [] ARE IN MILLIMETERS ROUNDED OFF TO THE NEAREST MILLIMETER, UNLESS OTHERWISE SPECIFIED.

TO ORDER BURNDY® PRODUCTS CALL		NEUTRAL BAR													
UNITED STATES 1-800-346-4175 (LONDONDERRY, NH)		ITEM NO: 10035348													
CANADA: 1-800-361-6975 (QUEBEC) 1-800-387-6487 (ALL OTHER PROVINCES)		CAT. NO: K10P4CG1													
FOR PRODUCT INFO: http://www.burndy.com		<table border="1"> <tr> <td>DRAWN BY: D DHEENA</td> <td>31-01-2014</td> </tr> <tr> <td>CHECKER: A MONTMINY</td> <td>03-03-2014</td> </tr> <tr> <td>DSN APRVL: A MONTMINY</td> <td>03-03-2014</td> </tr> <tr> <td>MFG APRVL: M SMITH</td> <td>28-02-2014</td> </tr> <tr> <td>QA APRVL: C KOWALCZYK</td> <td>03-03-2014</td> </tr> <tr> <td>MKT APRVL: M BAILY</td> <td>02-03-2014</td> </tr> </table>		DRAWN BY: D DHEENA	31-01-2014	CHECKER: A MONTMINY	03-03-2014	DSN APRVL: A MONTMINY	03-03-2014	MFG APRVL: M SMITH	28-02-2014	QA APRVL: C KOWALCZYK	03-03-2014	MKT APRVL: M BAILY	02-03-2014
DRAWN BY: D DHEENA	31-01-2014														
CHECKER: A MONTMINY	03-03-2014														
DSN APRVL: A MONTMINY	03-03-2014														
MFG APRVL: M SMITH	28-02-2014														
QA APRVL: C KOWALCZYK	03-03-2014														
MKT APRVL: M BAILY	02-03-2014														
PROJ FAM: --		DRAWING NO	REV												
PROJECT #: --		50038337	A												
DOCUMENT TYPE: SALES		SIZE													
REL LEVEL: Released		B													
		SHEET 1 OF 1													