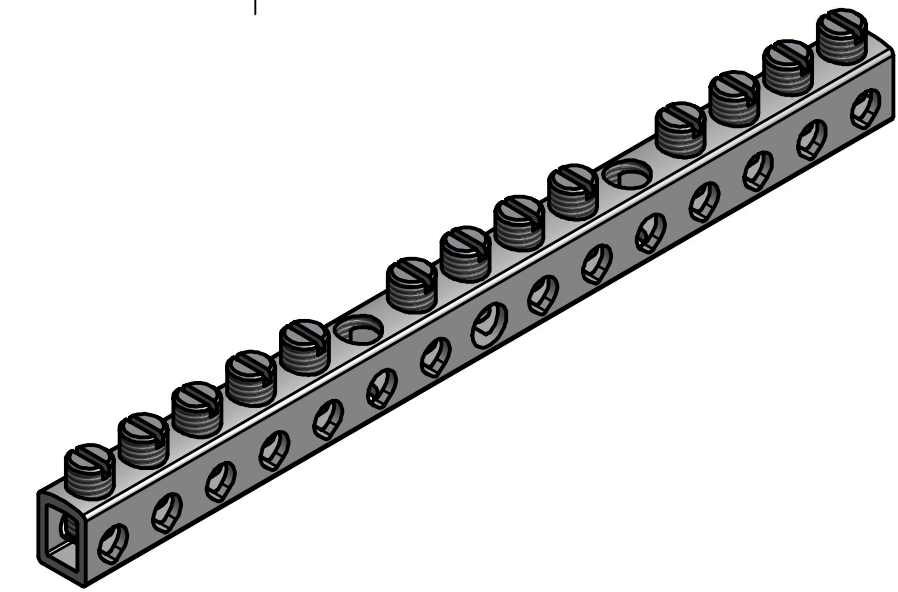
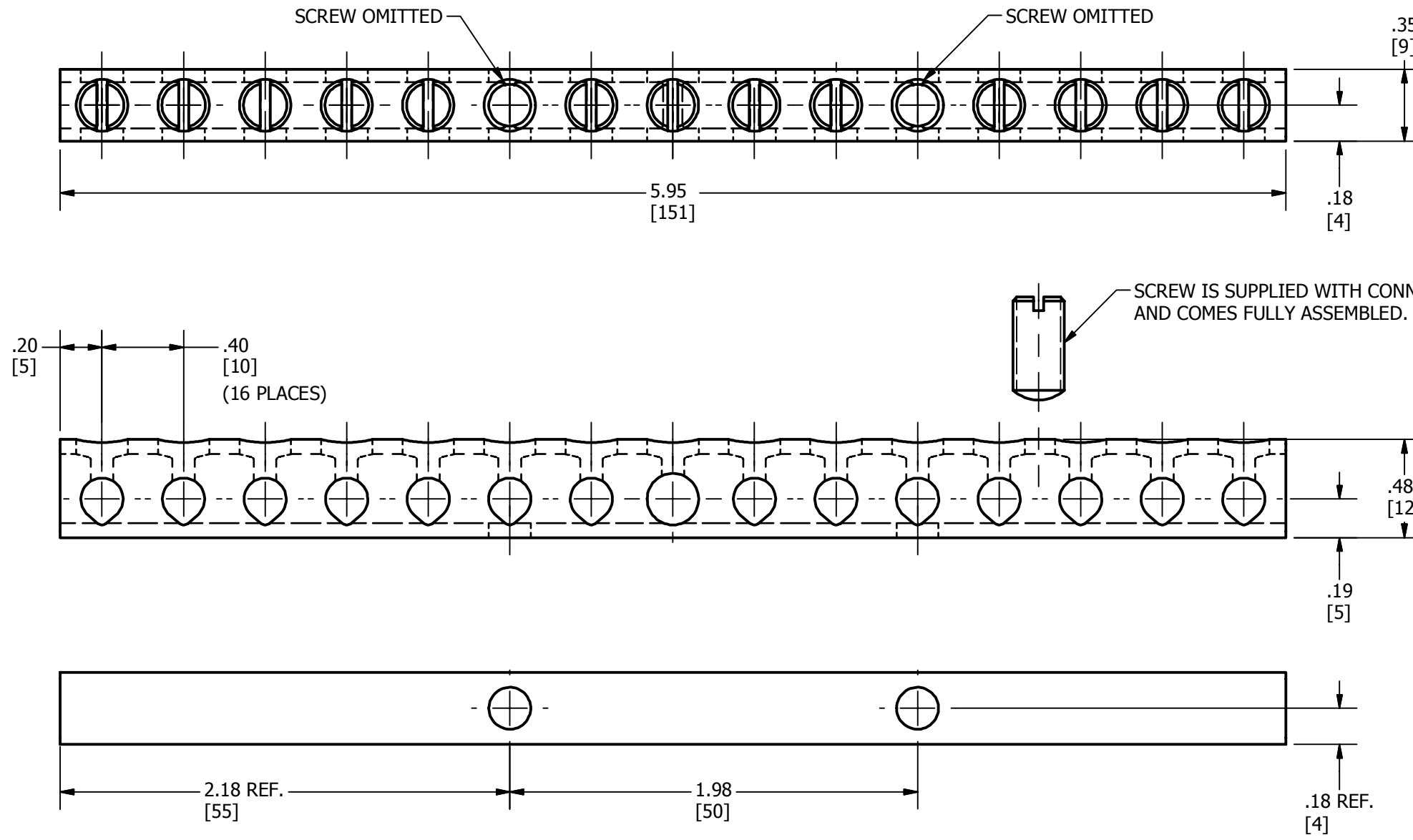


REV	DATE	DESCRIPTION	ECO	BY	CHK.
A	01/31/2014	NEW DRAWING CREATION	34508	DD	VK



**NOTES:**

1. MATERIAL - BODY: COPPER (PLAIN FINISH)  
MATERIAL - SCREW: STEEL ZINC PLATED
2. CONDUCTOR RANGE ALUMINUM OR COPPER: #4 - #14
3. CONNECTOR IS UL RECOGNIZED.
4. DIMENSIONS IN BRACKETS [ ] ARE IN MILLIMETERS ROUNDED OFF TO THE NEAREST MILLIMETER, UNLESS OTHERWISE SPECIFIED.

TO ORDER BURNDY® PRODUCTS CALL		NEUTRAL BAR	
UNITED STATES 1-800-346-4175 (LONDONDERRY, NH)		ITEM NO: 26001985	
CANADA: 1-800-361-6975 (QUEBEC) 1-800-387-6487 (ALL OTHER PROVINCES)		CAT. NO: K12P4CG1	
FOR PRODUCT INFO: <a href="http://www.burndy.com">http://www.burndy.com</a>		DRAWN BY: D DHEENA 31-01-2014	
		CHECKER: A MONTMINY 03-03-2014	
		DSN APRVL: A MONTMINY 03-03-2014	
		MFG APRVL: M SMITH 28-02-2014	
		QA APRVL: C KOWALCZYK 03-03-2014	
		MKT APRVL: M BAILY 02-03-2014	
		PROD FAM: --	
		DRAWING NO	
		50038338	
		REV	
		A	
		SHEET 1 OF 1	