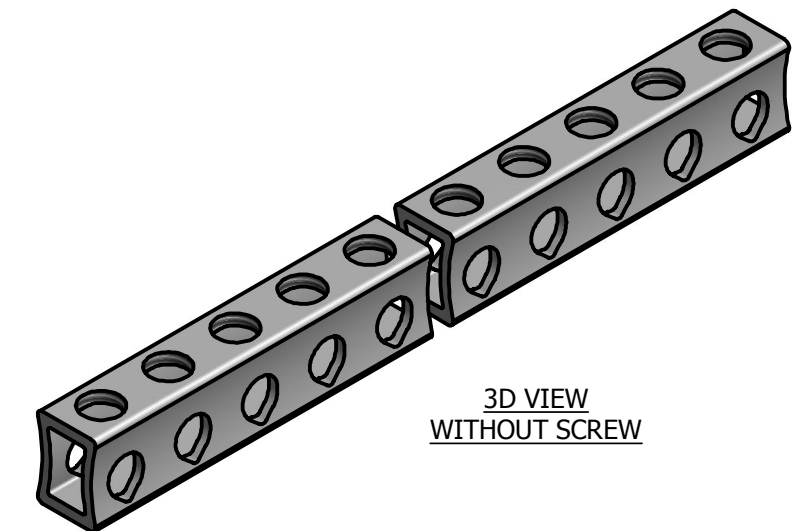
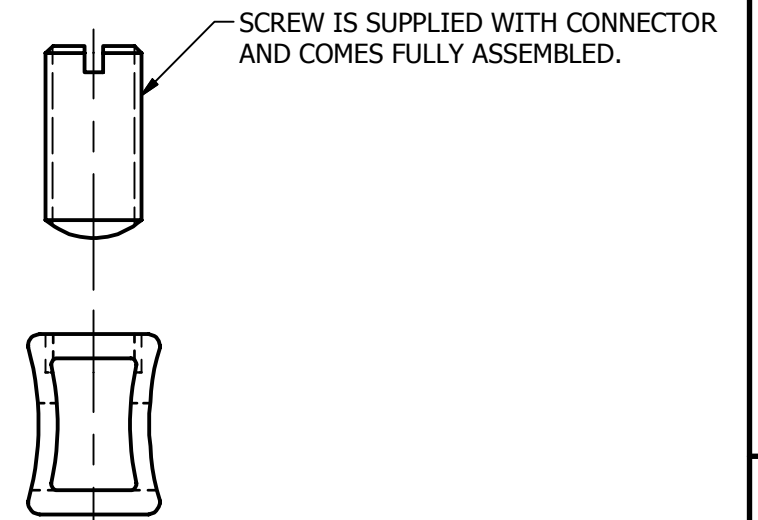
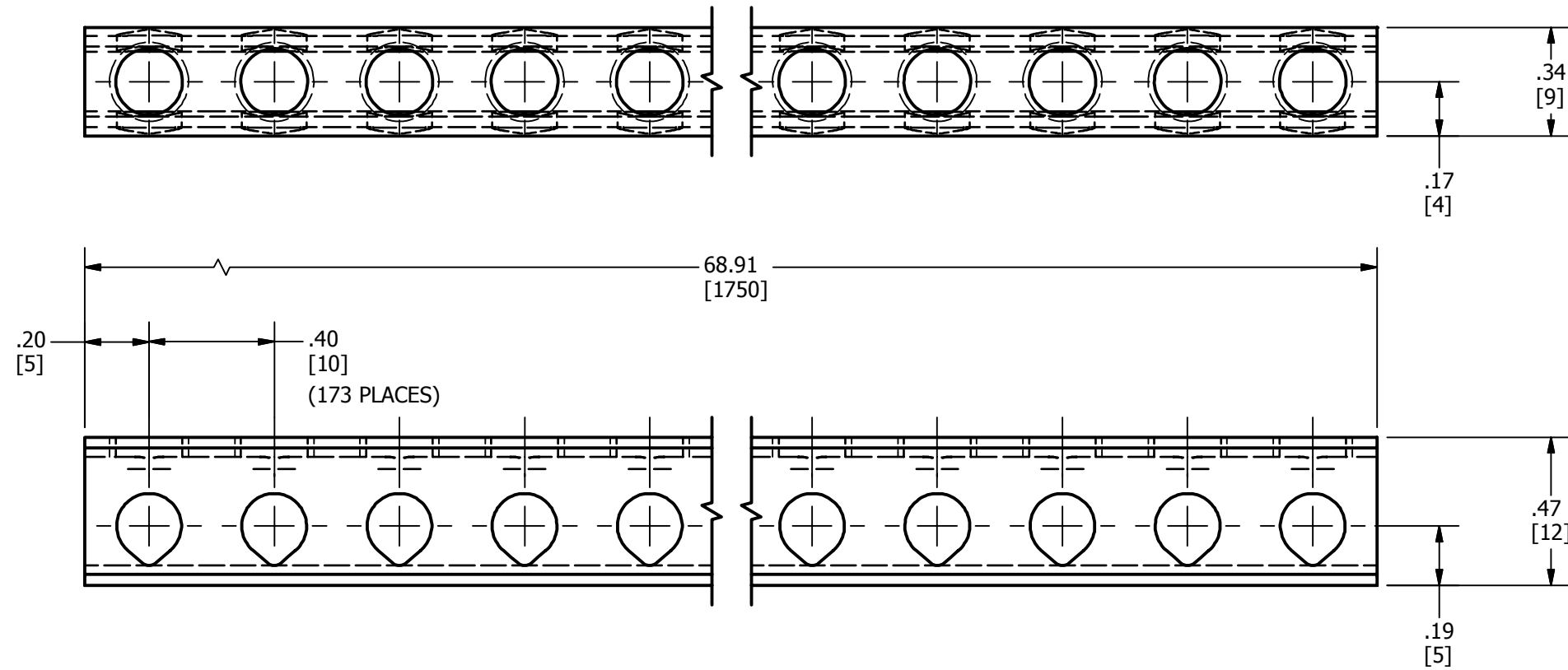


REV	DATE	DESCRIPTION	ECO	BY	CHK.
A	01/31/2014	NEW DRAWING CREATION	34508	DD	MA

MARKING

ONE SIDE	OTHER SIDE
CMC	14-6
N-70	



NOTES:

1. MATERIAL - BODY: COPPER (PLAIN FINISH)
MATERIAL - SCREW: STEEL ZINC PLATED
2. CONDUCTOR RANGE ALUMINUM OR COPPER: #6 - #14
3. CONNECTOR IS UL RECOGNIZED.
4. DIMENSIONS IN BRACKETS [] ARE IN MILLIMETERS ROUNDED OFF TO THE NEAREST MILLIMETER, UNLESS OTHERWISE SPECIFIED.

TO ORDER BURNDY® PRODUCTS CALL UNITED STATES 1-800-346-4175 (LONDONDERRY, NH) CANADA: 1-800-361-6975 (QUEBEC) 1-800-387-6487 (ALL OTHER PROVINCES) FOR PRODUCT INFO: http://www.burndy.com	NEUTRAL BAR		
	ITEM NO: 50035680		
	CAT. NO: K174P4CG1		
	DRAWN BY: D DHEENA	31-01-2014	
	CHECKER: A MONTMINY	03-03-2014	
DSN APRVL: A MONTMINY	03-03-2014		
MFG APRVL: M SMITH	28-02-2014		
QA APRVL: C KOWALCZYK	03-03-2014		
MKT APRVL: M BAILY	02-03-2014		
PROD FAM: --	DRAWING NO	REV	
PROJECT #: --	SIZE	50038340	A
DOCUMENT TYPE: SALES	B		
REL LEVEL: Released		SHEET 1 OF 1	