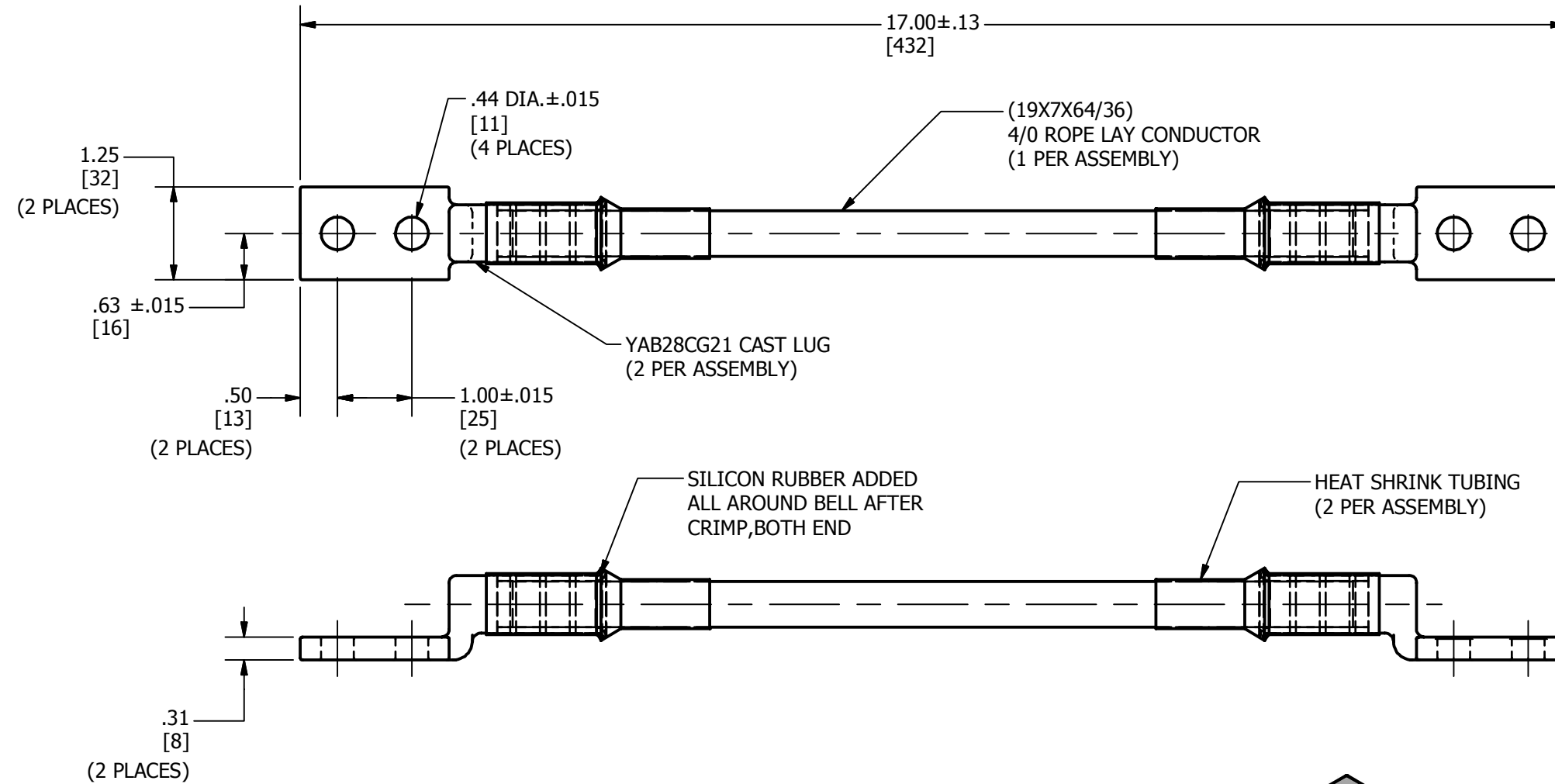
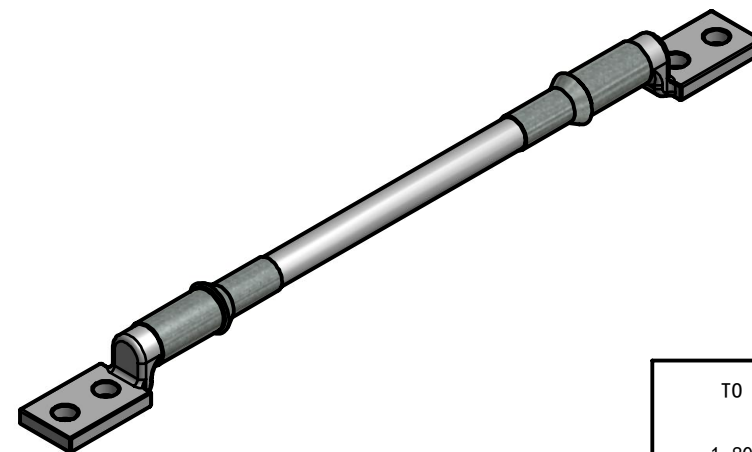


REV	DATE	DESCRIPTION	ECO	BY	C'HK.
A	03/25/2014	DRAWING RELEASED	35449	DD	PB



NOTES:

1. FINISH: TIN PLATED.
2. DIMENSIONS IN BRACKETS [] ARE IN MILLIMETERS ROUNDED OFF TO THE NEAREST MILLIMETER UNLESS OTHERWISE SPECIFIED AND ARE FOR REFERENCE ONLY.
3. APPROXIMATE AMP RATING: 335A. THIS RATING MAY VARY WITH AMBIENT CONDITIONS, ORIENTATION OF THE BRAID, AND OTHER SERVICE FACTORS.
4. APPROXIMATE WEIGHT: .235 LBS [.026 NM].



TO ORDER BURNDY® PRODUCTS CALL		CUSTOM JUMPER													
UNITED STATES 1-800-346-4175 (LONDONDERRY, NH)		ITEM NO: 50038433													
CANADA: 1-800-361-6975 (QUEBEC) 1-800-387-6487 (ALL OTHER PROVINCES)		CAT. NO: CY4/0L17G5TN													
FOR PRODUCT INFO: http://www.burndy.com		<table border="1"> <tr> <td>DRAWN BY: VSKANNAN</td> <td>2/4/2014</td> </tr> <tr> <td>CHECKER: B.MANIKANDAN</td> <td>2/5/2014</td> </tr> <tr> <td>DSN APRVL: L.TROMBLEY</td> <td>4/16/2014</td> </tr> <tr> <td>MFG APRVL: M.STEVENS</td> <td>4/16/2014</td> </tr> <tr> <td>QA APRVL: C.LINDQUIST</td> <td>4/16/2014</td> </tr> <tr> <td>MKT APRVL: K.ROBICHEAU</td> <td>4/16/2014</td> </tr> </table>		DRAWN BY: VSKANNAN	2/4/2014	CHECKER: B.MANIKANDAN	2/5/2014	DSN APRVL: L.TROMBLEY	4/16/2014	MFG APRVL: M.STEVENS	4/16/2014	QA APRVL: C.LINDQUIST	4/16/2014	MKT APRVL: K.ROBICHEAU	4/16/2014
DRAWN BY: VSKANNAN	2/4/2014														
CHECKER: B.MANIKANDAN	2/5/2014														
DSN APRVL: L.TROMBLEY	4/16/2014														
MFG APRVL: M.STEVENS	4/16/2014														
QA APRVL: C.LINDQUIST	4/16/2014														
MKT APRVL: K.ROBICHEAU	4/16/2014														
PROJ #: --		DRAWING NO: 50038434													
DOCUMENT TYPE: SALES		SIZE: B													
REL LEVEL: Released		SHEET 1 OF 1													
		REV: A													