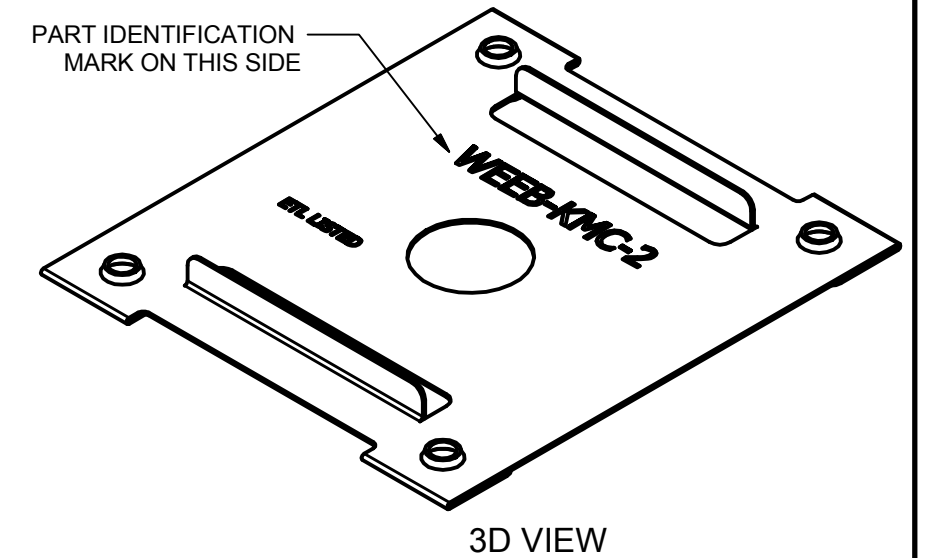
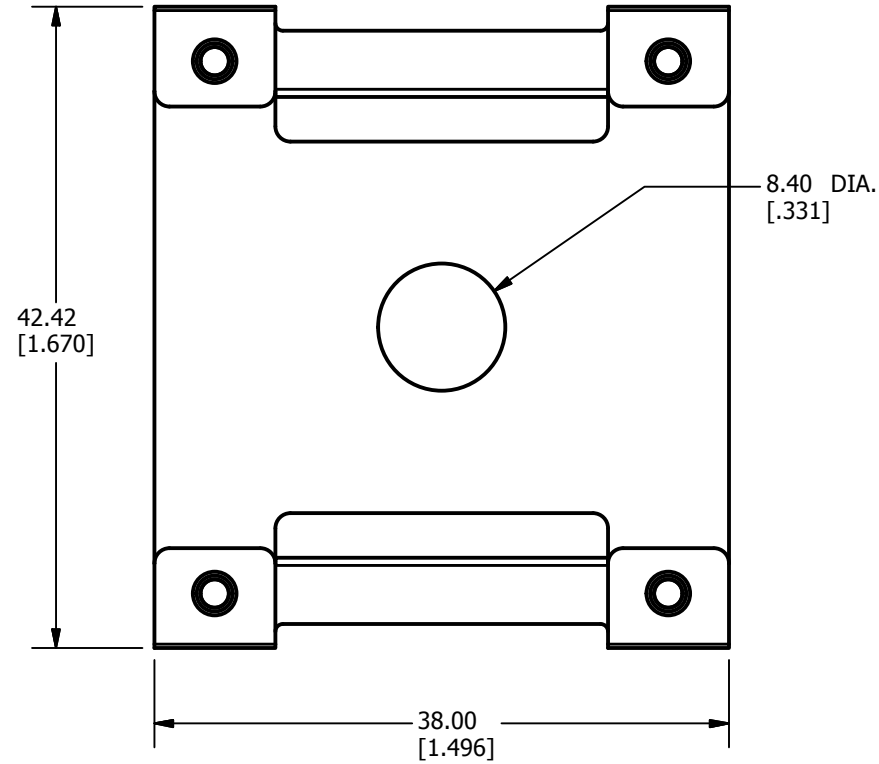
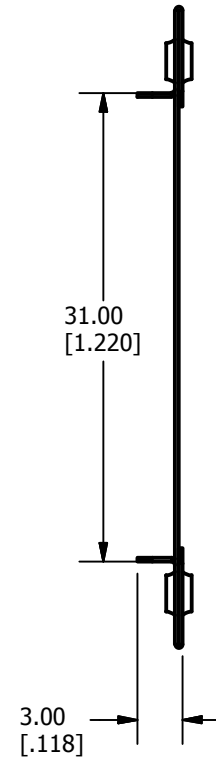
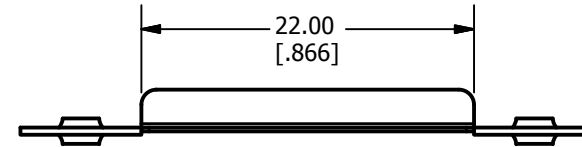
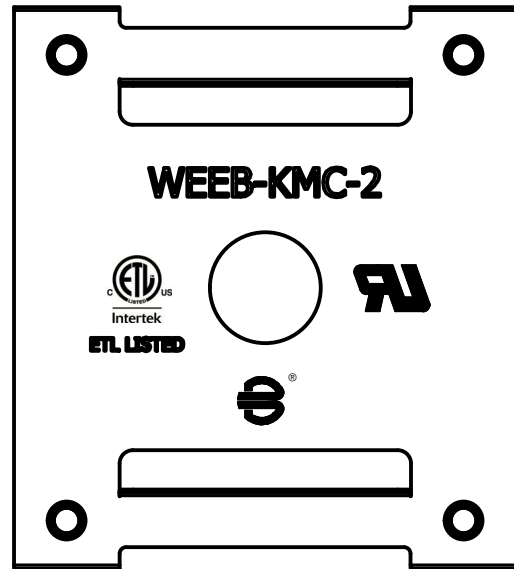


REV	DATE	DESCRIPTION	ECO	BY	C'H'K.
B	05/07/2014	UPDATE LOGOS AND FONT SIZE	36048	TO	EM



NOTES:

1. MATERIAL: 304 STAINLESS
2. DIMENSIONS IN BRACKETS [] ARE IN INCHES ROUNDED OFF TO THE NEAREST TENTH, UNLESS OTHERWISE SPECIFIED AND ARE FOR REFERENCE ONLY.

TO ORDER BURNDY PRODUCTS CALL UNITED STATES 1-800-346-4175 (LONDONDERRY, NH) CANADA: 1-800-361-6975 (QUEBEC) 1-800-387-6487 (ALL OTHER PROVINCES) FOR PRODUCT INFO: http://www.burndy.com		EQUIPMENT BOND	
		ITEM NO: 50038552 CAT. NO: WEEB-KMC-2	
DRAWN BY: M KOVILRAJ 2/10/2014 CHECKER: T OLENICK 5/9/2014 DSN APRVL: T OLENICK 5/9/2014 MFG APRVL: M STEVENS 5/9/2014 QA APRVL: C KOWALCZYK 5/9/2014 MKT APRVL: S PARSONS 5/9/2014			
PROD FAM: PROJECT #: DOCUMENT TYPE: Sales REL LEVEL: Released	SIZE: B	DRAWING NO: 50038554	REV: B
		SHEET 1 OF 1	