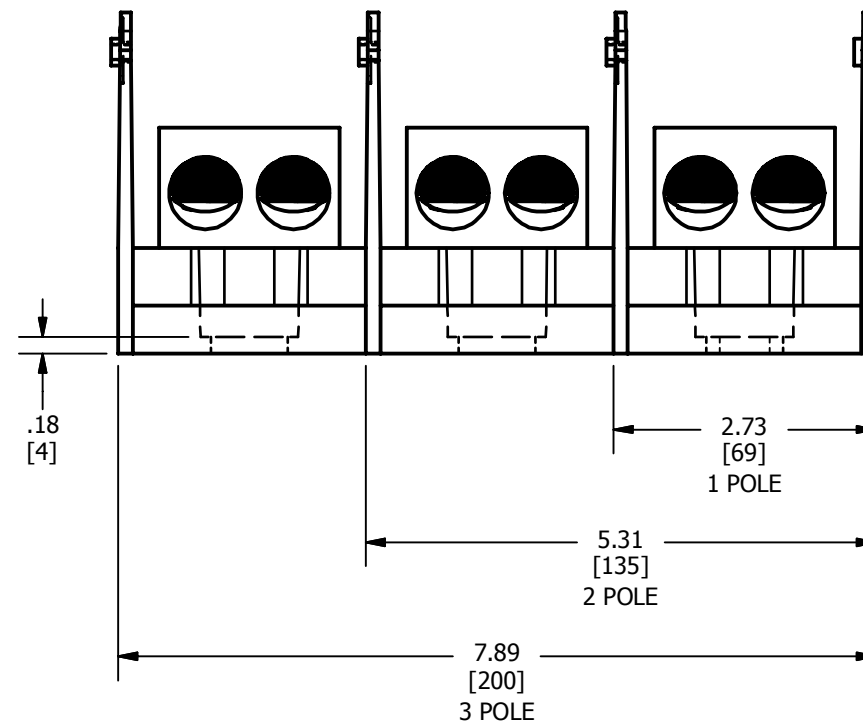
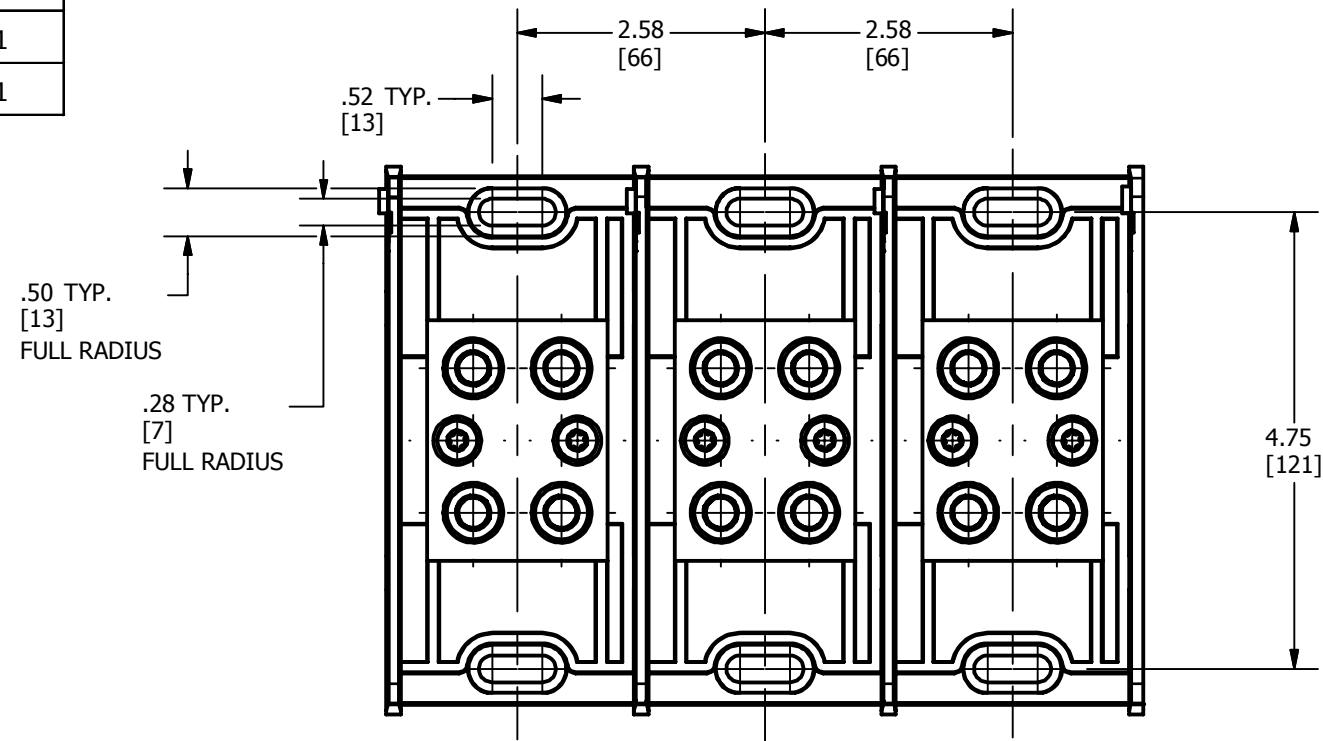
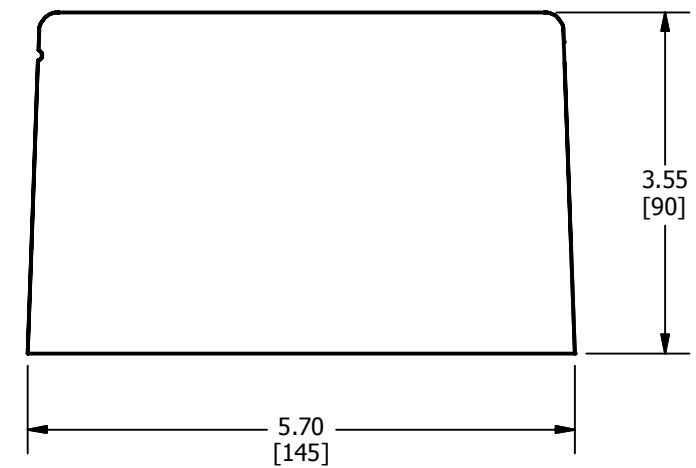


CATALOG NUMBER	NUMBER OF POLES	TYPE
BDALHC-112-350	ADDER	2
BDBLHC-112-350-1	1	1
BDBLHC-112-350-3	3	1

REV	DATE	DESCRIPTION	ECO	BY	C'H'K.
A	02/12/2014	DRAWING RELEASED	34929	GP	MA



TYPE 1

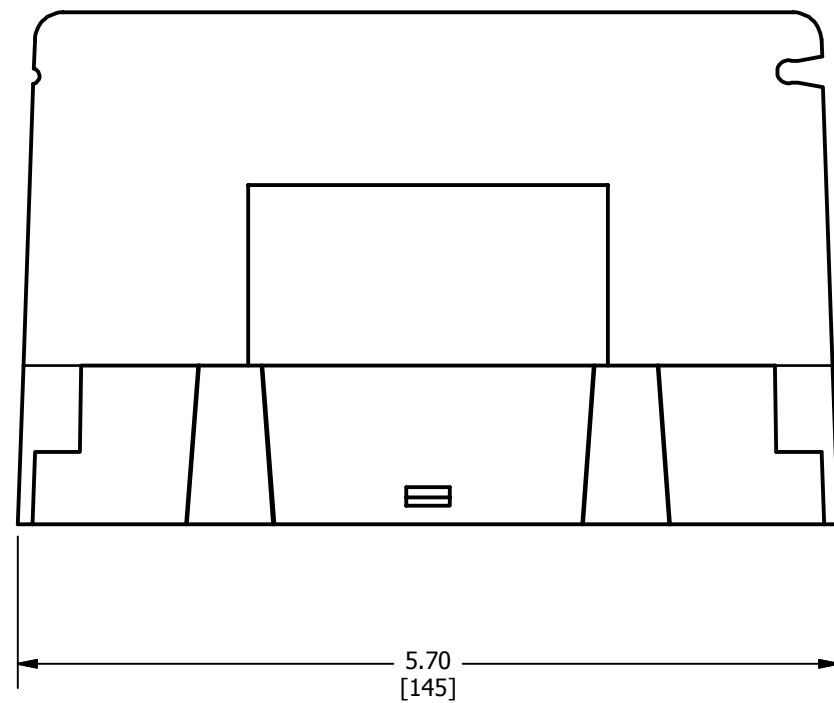
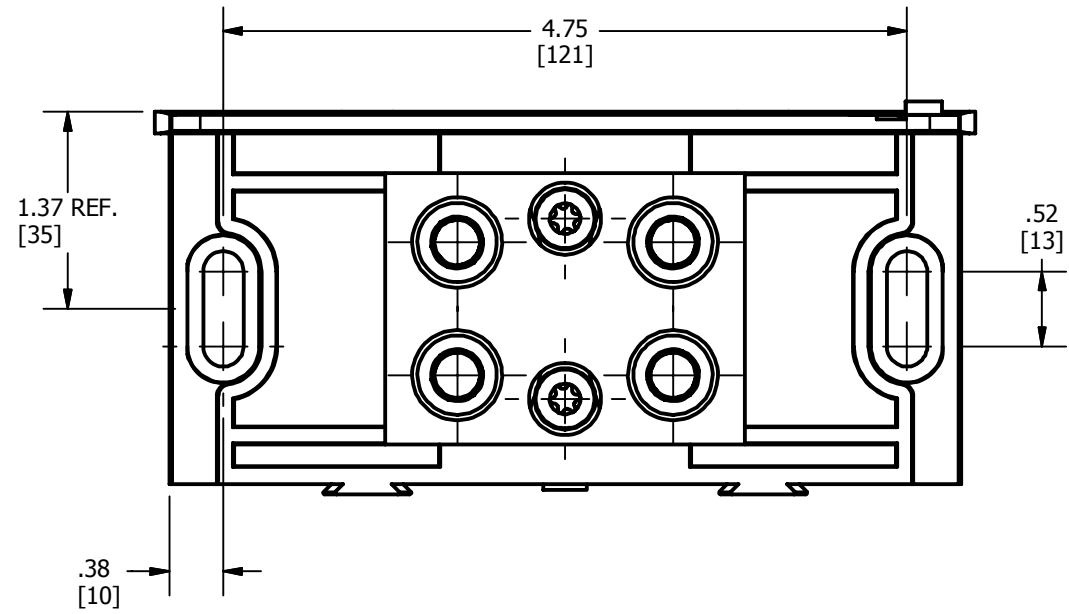


NOTES:

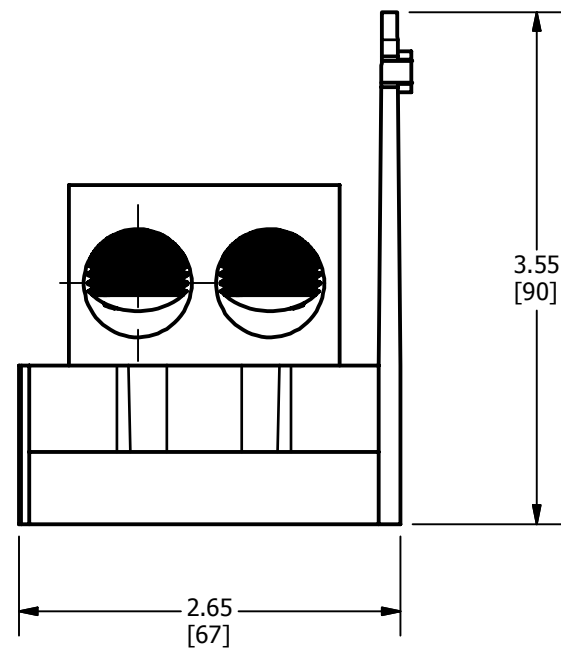
- MATERIAL :
CONNECTOR BODY : HIGHLY CONDUCTIVE ALUMINUM.
INSULATOR : GLASS FILLED POLYCARBONATE.
- DIMENSIONS IN BRACKETS [] ARE IN MILLIMETERS ROUNDED OFF TO THE NEAREST MILLIMETER, UNLESS OTHERWISE SPECIFIED AND ARE FOR REFERENCE ONLY.

TO ORDER BURNDY® PRODUCTS CALL UNITED STATES 1-800-346-4175 (LONDONDERRY, NH) CANADA: 1-800-361-6975 (QUEBEC) 1-800-387-6487 (ALL OTHER PROVINCES) FOR PRODUCT INFO: http://www.burndy.com		VERSI-POLE™	
		ITEM NO: SEE TABLE CAT. NO: SEE TABLE	
DRAWN BY: PRASAD 01/17/2014 CHECKER: T REYNOLDS 02/24/2014 DSN APRVL: T REYNOLDS 02/24/2014 MFG APRVL: -- QA APRVL: C KOWALCZYK 02/25/2014 MKT APRVL: M BAILLY 02/24/2014			
PROD FAM: -- PROJECT #: -- DOCUMENT TYPE: SALES REL LEVEL: Released		DRAWING NO 50038771	REV A
		SIZE B	SHEET 1 OF 2

REV	DATE	DESCRIPTION	ECO	BY	C'H.K.
A	02/12/2014	DRAWING RELEASED	34929	GP	MA



TYPE 2



TO ORDER BURNDY® PRODUCTS CALL UNITED STATES 1-800-346-4175 (LONDONDERRY, NH) CANADA: 1-800-361-6975 (QUEBEC) 1-800-387-6487 (ALL OTHER PROVINCES) FOR PRODUCT INFO: http://www.burndy.com		VERSI-POLE™	
		ITEM NO: SEE TABLE CAT. NO: SEE TABLE	
DRAWN BY: PRASAD 01/17/2014 CHECKER: T REYNOLDS 02/24/2014 DSN APRVL: T REYNOLDS 02/24/2014 MFG APRVL: -- QA APRVL: C KOWALCZYK 02/25/2014 MKT APRVL: M BAILLY 02/24/2014			
PROJ #: DOCUMENT TYPE: SALES REL LEVEL: Released	SIZE: B	DRAWING NO: 50038771	REV: A
		SHEET 2 OF 2	