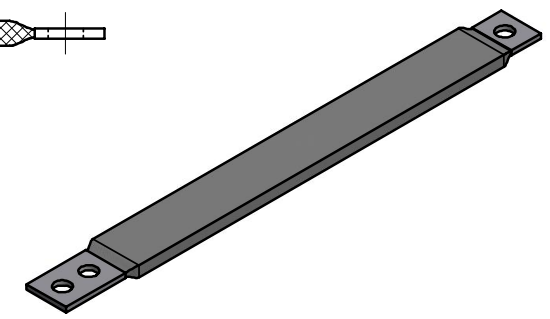
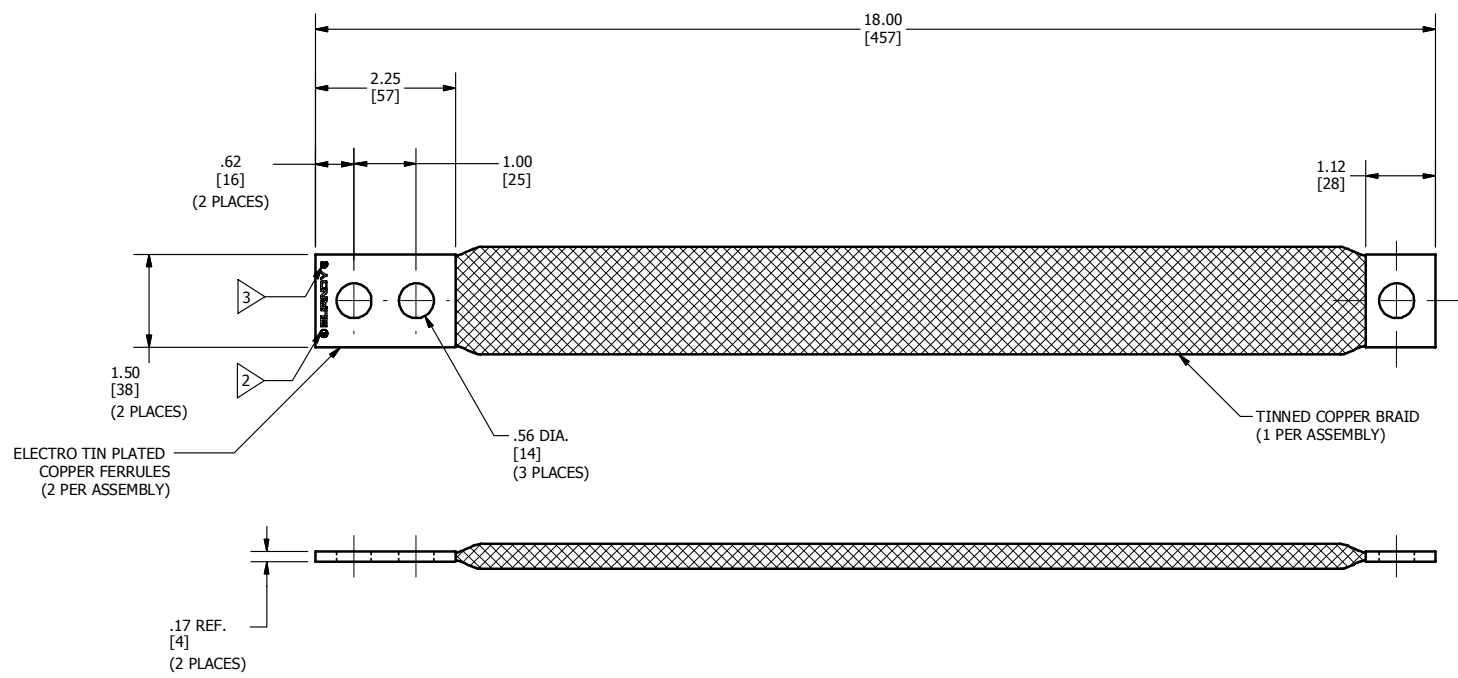


REV	DATE	DESCRIPTION	ECO	BY	CHK.
A	03/06/2014	DRAWING RELEASED	35148	RK	MB



- NOTES:
- APPROXIMATE AMP RATING: 340 INDOOR, 405 OUTDOOR
THIS RATING MAY VARY WITH AMBIENT CONDITIONS,
ORIENTATION OF THE BRAID AND OTHER SERVICE CONDITIONS.
 - LISTED TO UL 467 GROUNDING & BONDING EQUIPMENT STANDARDS.
 - LISTED TO CSA 22.2 NO.41 GROUNDING & BONDING EQUIPMENT STANDARDS .
 - DIMENSIONS IN BRACKETS [] ARE IN MILLIMETERS ROUNDED OFF TO THE NEAREST MILLIMETER, UNLESS OTHERWISE SPECIFIED AND ARE FOR REFERENCE ONLY.

TO ORDER BURNDY® PRODUCTS CALL		BRAID, FLEXIBLE	
UNITED STATES 1-800-346-4175 (LONDONDERRY, NH)		ITEM NO: 50032312	
CANADA: 1-800-361-6975 (QUEBEC) 1-800-387-6487 (ALL OTHER PROVINCES)		CAT. NO: BE18G218TN	
FOR PRODUCT INFO: http://www.burndy.com		DRAWN BY: V.SATHYA 2/13/2014	
		CHECKER: B.MANIKANDAN 2/13/2014	
		DSN APRVL: J.MICHAUD 2/28/2014	
		MFG APRVL: M.STEVENS 3/4/2014	PROJ: SALES
		CHK APRVL: C.LINDVALL 3/3/2014	REL LEVEL: Released
		MKT APRVL: K.ROBICHEAU 3/3/2014	
PROJ FAM: -	SIZE: B	DRAWING NO: 50038852	REV: A
		SHEET 1 OF 1	