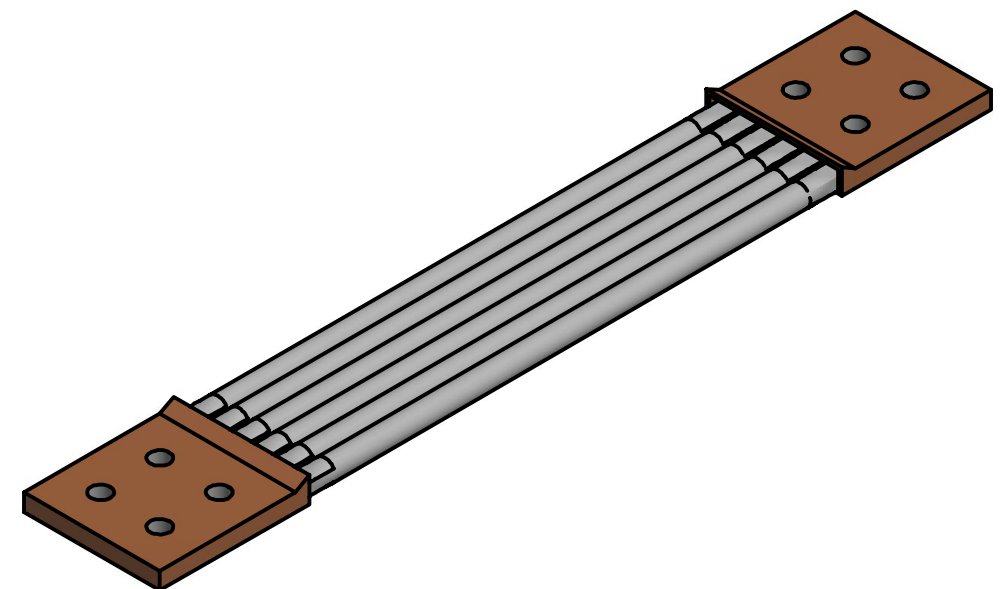
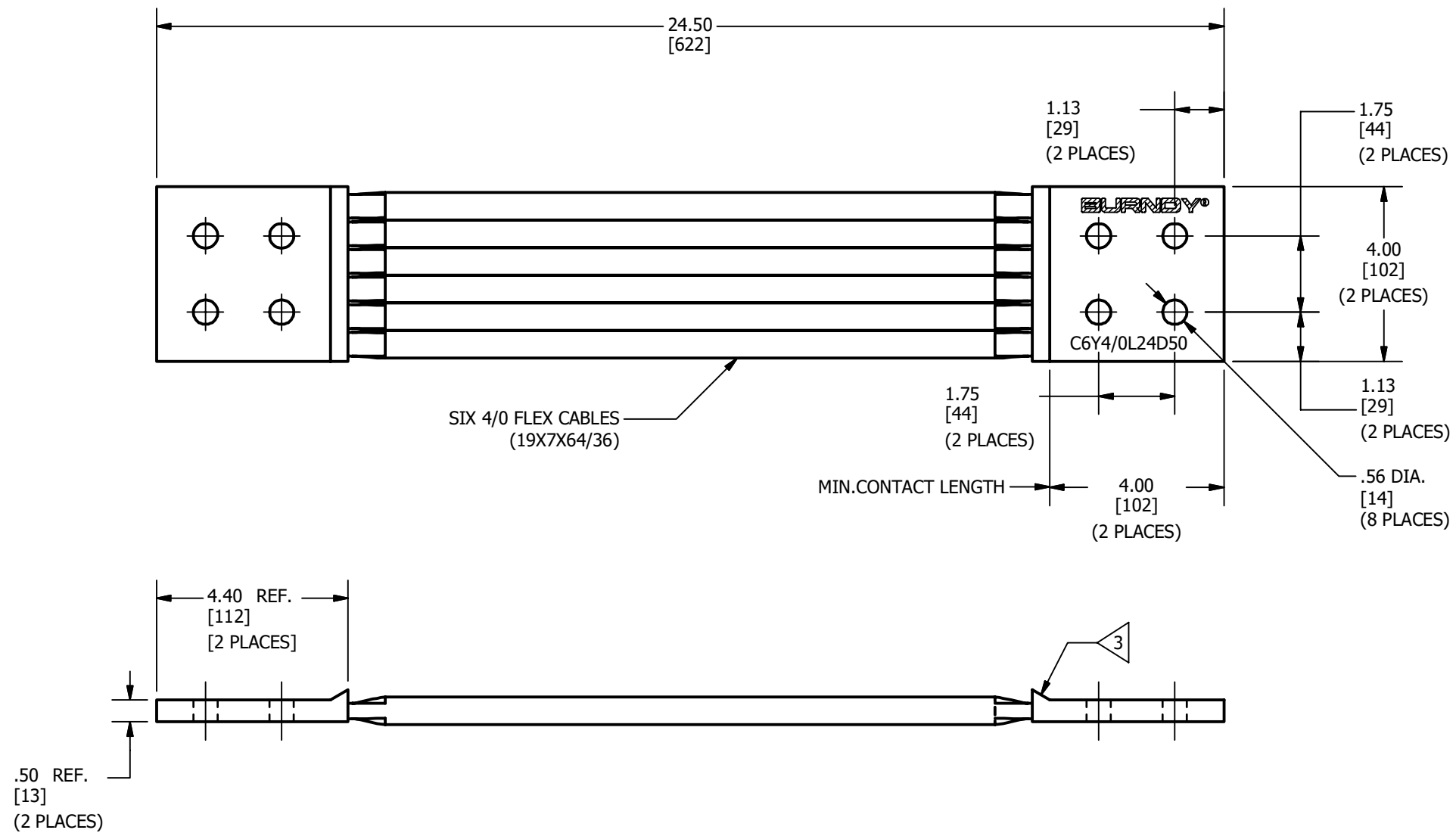


REV	DATE	DESCRIPTION	ECO	BY	C'H'K.
C	02/06/2019	UPDATE BELL ON FERRULE	050821	SC	



NOTES:

- MATERIAL:
FERRULE: COPPER, HOT TIN PLATED
CABLE: 4/0 FLEX (8512/36) TIN COATED COPPER.
- DIMENSIONS IN BRACKETS [] ARE IN MILLIMETERS ROUNDED OFF TO THE NEAREST MILLIMETER, UNLESS OTHERWISE SPECIFIED AND ARE FOR REFERENCE ONLY.
- BELL END ONLY APPLIED ON TOP OF FERRULE. SIDES AND BOTTOM OF FERRULE MUST BE FLAT.
- APPROXIMATE AMP RATING: 2000A. THIS RATING MAY VARY WITH AMBIENT CONDITIONS, ORIENTATION OF THE BRAID, AND OTHER SERVICE FACTORS.

TO ORDER BURNDY® PRODUCTS CALL
 UNITED STATES
 1-800-346-4175 (LONDONDERRY, NH)
 CANADA:
 1-800-361-6975 (QUEBEC)
 1-800-387-6487 (ALL OTHER PROVINCES)
 FOR PRODUCT INFO: <http://www.burndy.com>

CABLE BRAID	
ITEM NO: 50039076	
CAT. NO: C6Y4/0L24D50G4W	
DRAWN BY: V.S.KANNAN 03/27/2014	
CHECKER: B.MANIKANDAN 03/27/2014	
DSN APRVL: L.TROMBLEY 06/12/2014	
MFG APRVL: -- 06/14/2014	
QA APRVL: C.LINDQUIST 06/18/2014	
MKT APRVL: K.ROBICHEAU 06/13/2014	
PROD FAM: CM&R	DRAWING NO
PROJECT #: --	50039077
DOCUMENT TYPE: SALES	SIZE: B
REL LEVEL: Released	SHEET 1 OF 1
	REV: C