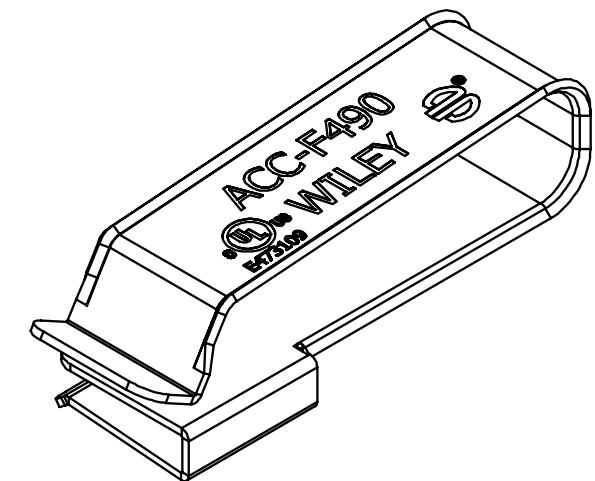
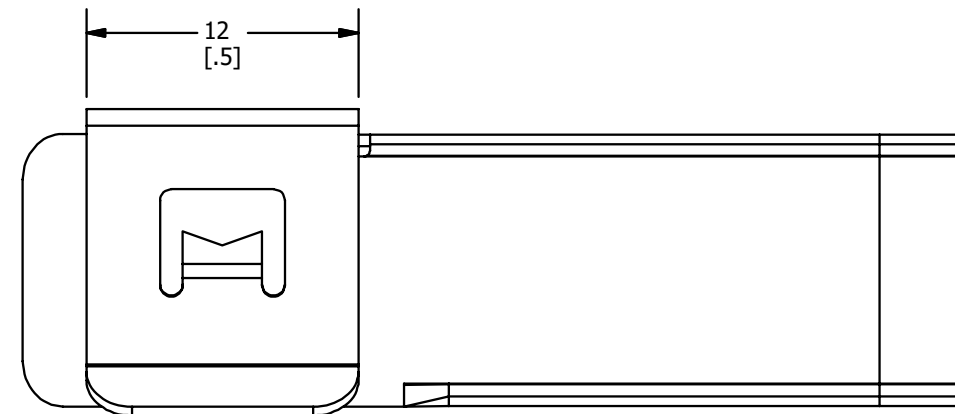
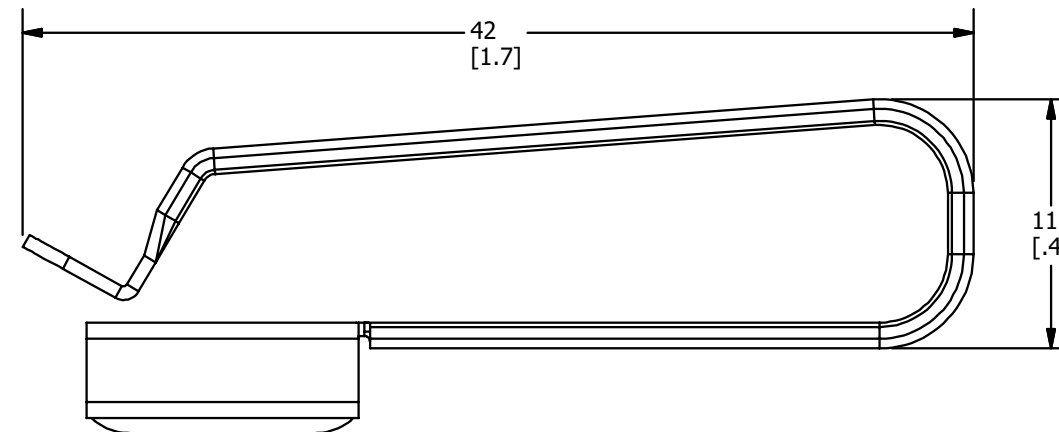
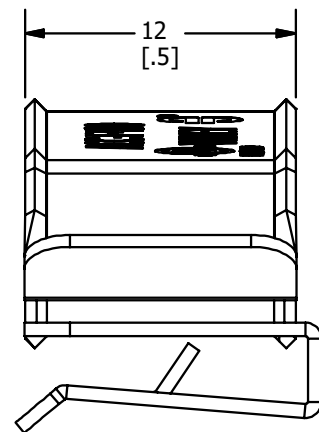
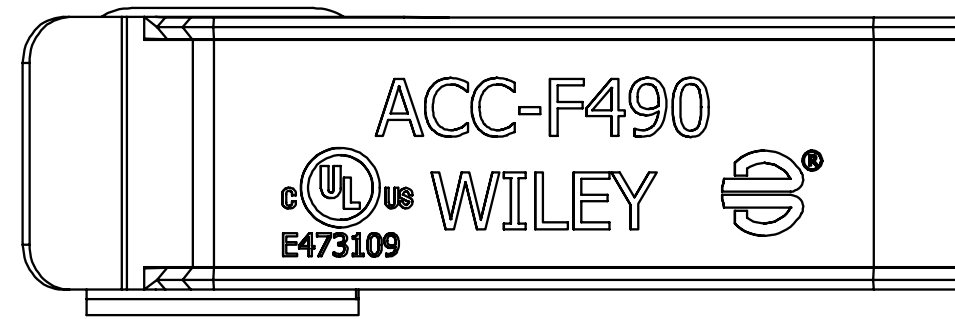


REV	DATE	DESCRIPTION	ECO	BY	C'H.K.
C	07-12-2018	ADD "UL MARK" ON PART AND LABEL	50469	TM	EM



**3D VIEW**

**NOTES:**

1. MATERIAL: 304 STAINLESS STEEL.
2. DIMENSIONS IN BRACKETS [ ] ARE IN INCHES ROUNDED OFF TO THE NEAREST TENTH, UNLESS OTHERWISE SPECIFIED AND ARE FOR REFERENCE ONLY.
3. DESIGNED TO HOLD UP TO (4) PV CABLES UP TO 8.0mm [.315IN] DIAMETER.
4. COMPATIBLE ON MODULE FRAMES OR FLANGES WITH A THICKNESS RANGE OF 1.0 TO 3.0MM
5. INSTALLS ON TO THE MODULE FRAME OR FLANGE IN A 90 DEGREE ORIENTATION.
6. LISTED TO UL1565 STANDARD FOR POSITIONING DEVICES.

TO ORDER BURNDY PRODUCTS CALL		ACME CABLE CLIP	
UNITED STATES		ITEM NO: 50037606	
1-800-346-4175 (LONDONDERRY, NH)		CAT. NO: ACC-F490	
CANADA:		DRAWN BY: E.MARTIN 02-02-2012	
1-800-361-6975 (QUEBEC)		CHECKER: E.MARTIN 24-01-2019	
1-800-387-6487 (ALL OTHER PROVINCES)		DSN APRVL: E.MARTIN 24-01-2019	
FOR PRODUCT INFO: <a href="http://www.burndy.com">http://www.burndy.com</a>		PUR APRVL: J.VERRANAULT 24-01-2019	
		QA APRVL: B.ELLIOTT 25-01-2019	
		MKT APRVL: S.PARSONS 24-01-2019	
PROD FAM: WILEY	DRAWING NO	REV	
PROJECT #:	SIZE	50039299	C
DOCUMENT TYPE: SALES	B	SHEET 1 OF 1	
REL LEVEL: Released			