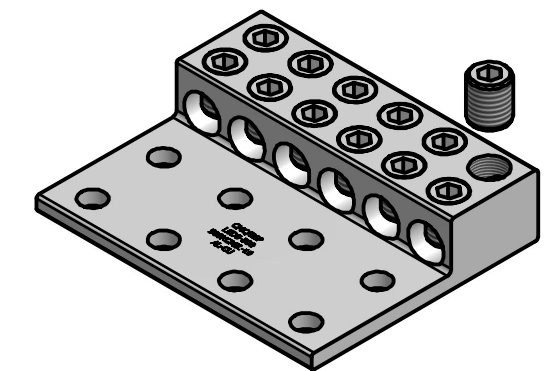
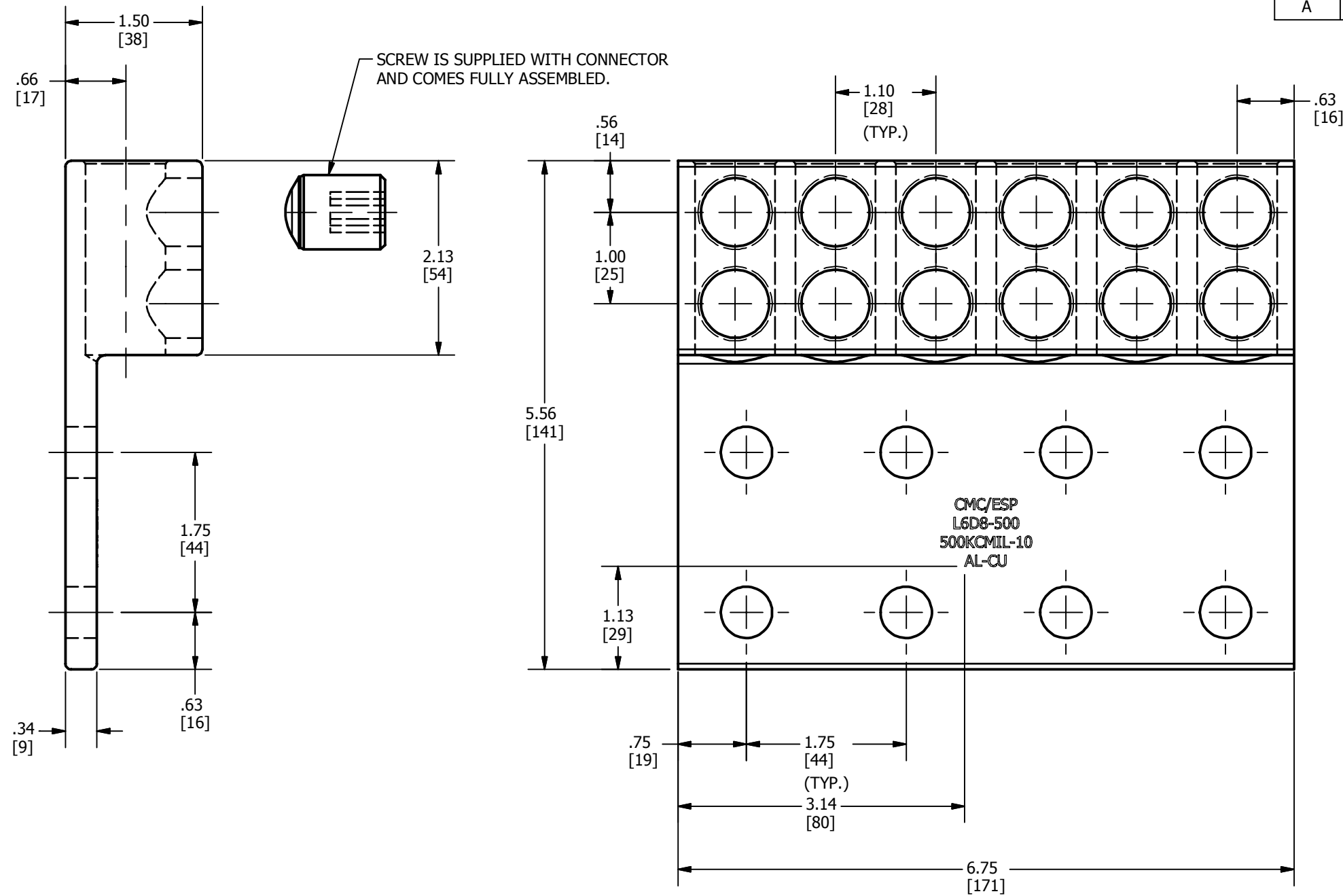


REV	DATE	DESCRIPTION	ECO	BY	C'H'K.
A	03/21/2014	DRAWING RELEASED	35280	PB	VK



NOTES:

1. MATERIAL: 6061-T6 ALUMINUM.
2. FINISH: CLEAR PLATE CMS-14.
3. DIMENSIONS IN BRACKETS [] ARE IN MILLIMETERS ROUNDED OFF TO THE NEAREST MILLIMETER, UNLESS OTHERWISE SPECIFIED AND ARE FOR REFERENCE ONLY.

TO ORDER BURNDY® PRODUCTS CALL		6 & 8 CONDUCTOR UNIVERSAL TERMINALS	
UNITED STATES		ITEM NO: 50035685	
1-800-346-4175 (LONDONDERRY, NH)		CAT. NO: KK6A34U8	
CANADA:		DRAWN BY: PARTHIBAN B 3/21/2014	
1-800-361-6975 (QUEBEC)		CHECKER: A MONTMINY 8/8/2014	
1-800-387-6487 (ALL OTHER PROVINCES)		DSN APRVL: A MONTMINY 8/8/2014	
FOR PRODUCT INFO: http://www.burndy.com		MFG APRVL: P KEENAN 8/7/2014	
		QA APRVL: J BRODEUR 8/7/2014	
		MKT APRVL: M BAILLY 8/7/2014	
PROD FAM: --	DRAWING NO	REV	
PROJECT #: --	50040581	A	
DOCUMENT TYPE: SALES	SIZE		
REL LEVEL: Released	B		
	SHEET 1 OF 1		