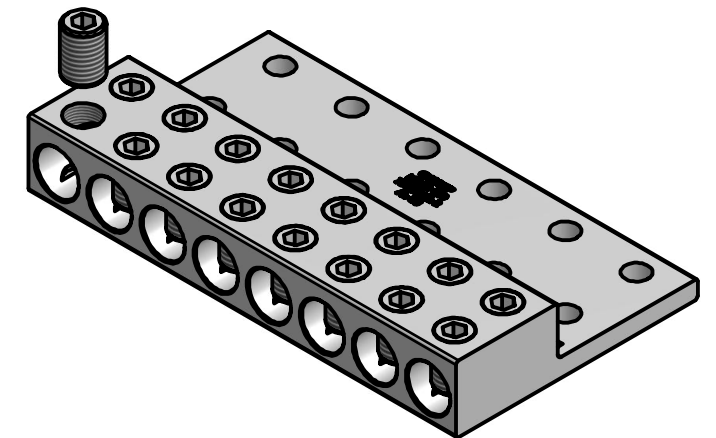
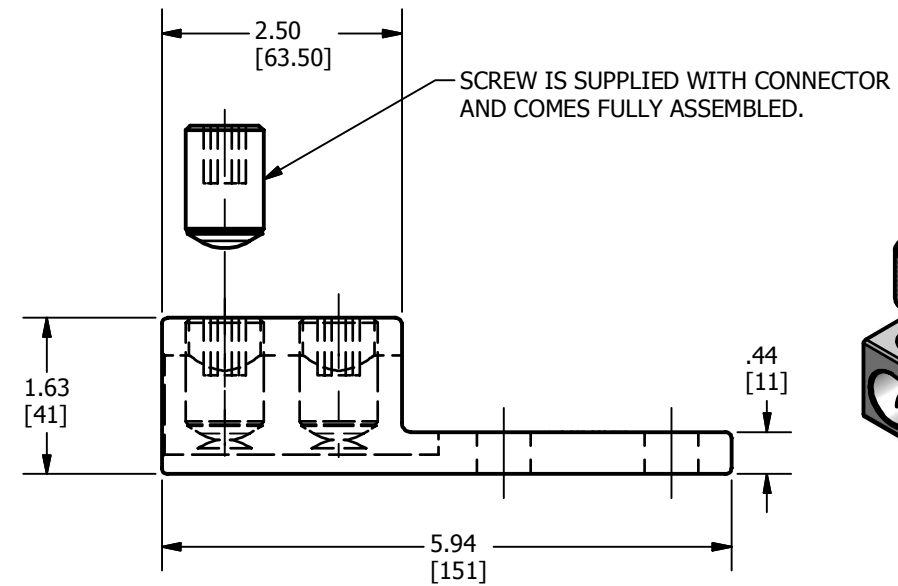
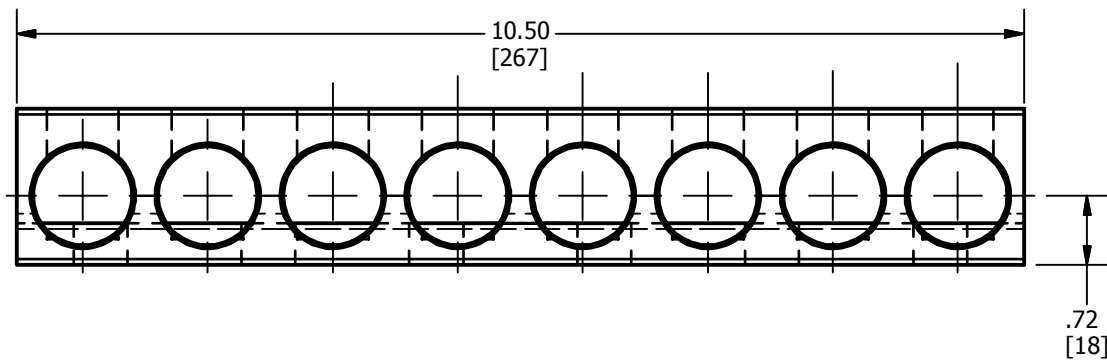
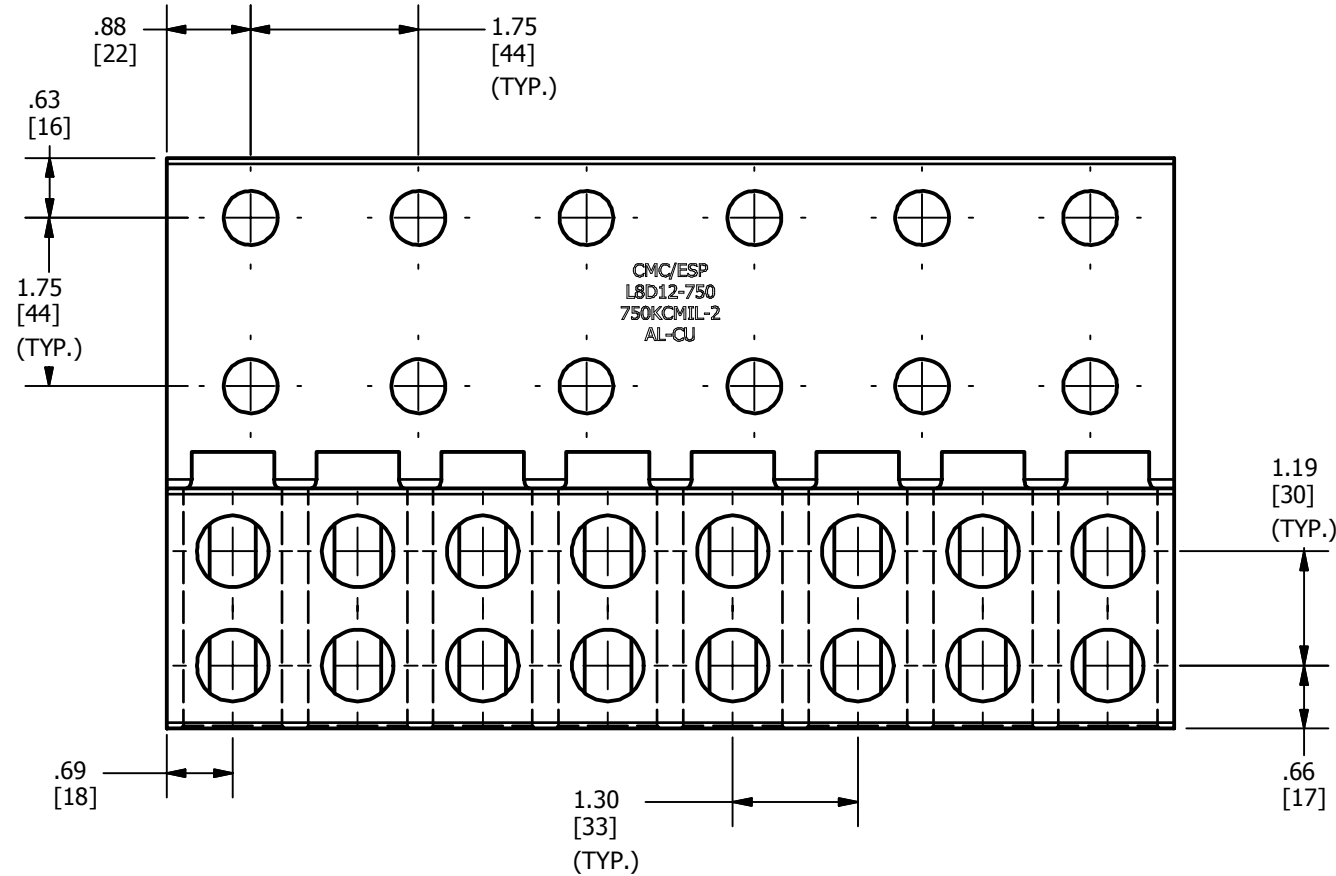


REV	DATE	DESCRIPTION	ECO	BY	C'H'K.
A	03/21/2014	SALES DRAWING CREATED	35280	VK	PB



**NOTES:**

1. MATERIAL: 6061-T6 ALUMINUM.
2. FINISH: CLEAR PLATE CMS-14
3. DIMENSIONS IN BRACKETS [ ] ARE IN MILLIMETERS ROUNDED OFF TO THE NEAREST MILLIMETER, UNLESS OTHERWISE SPECIFIED AND ARE FOR REFERENCE ONLY.

TO ORDER BURNDY® PRODUCTS CALL		6 & 8 CONDUCTOR UNIVERSAL TERMINALS	
UNITED STATES		ITEM NO: 50035688	
1-800-346-4175 (LONDONDERRY, NH)		CAT. NO: KK8A39U12	
CANADA:		DRAWN BY: VKAMAL 3/21/2014	
1-800-361-6975 (QUEBEC)		CHECKER: A MONTMINY 8/8/2014	
1-800-387-6487 (ALL OTHER PROVINCES)		DSN APRVL: A MONTMINY 8/8/2014	
FOR PRODUCT INFO: <a href="http://www.burndy.com">http://www.burndy.com</a>		MFG APRVL: P KEENAN 8/7/2014	
		QA APRVL: J BRODEUR 8/7/2014	
		MKT APRVL: M BAILLY 8/7/2014	
		PROD FAM: --	
		DRAWING NO	
		50040591	
		REV	
		A	
		SHEET 1 OF 1	