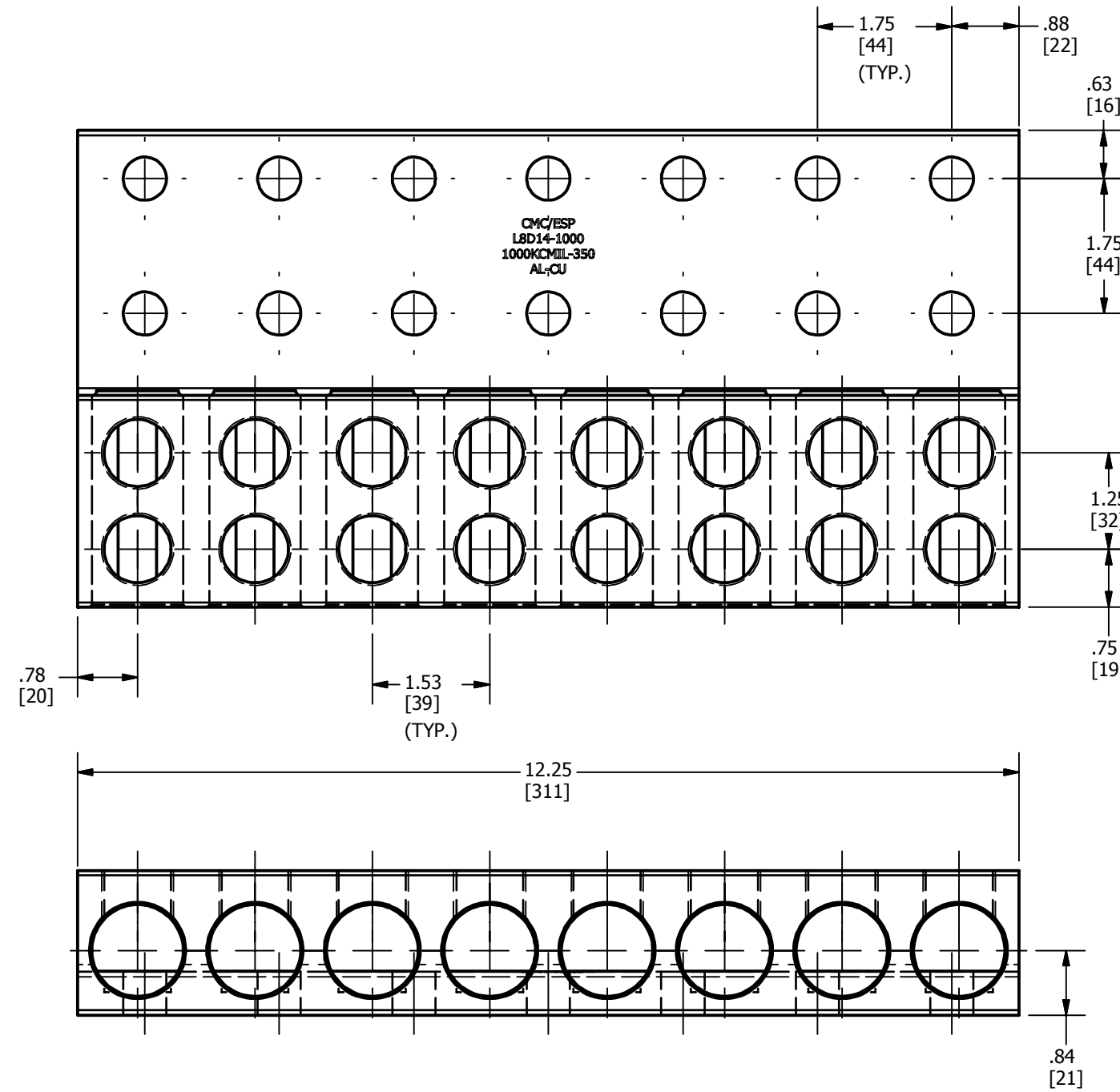
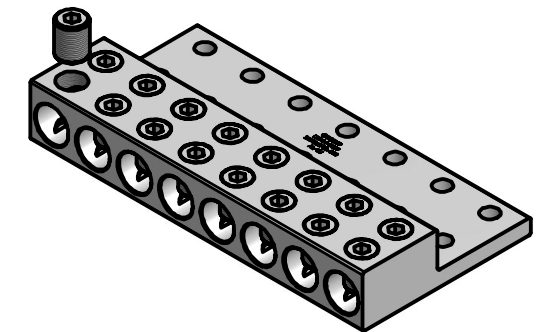
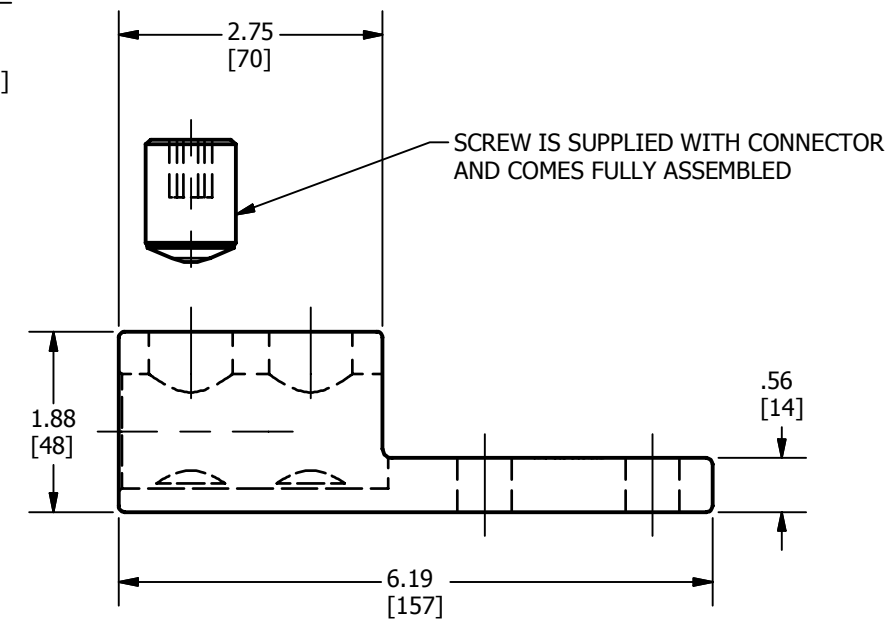


REV	DATE	DESCRIPTION	ECO	BY	C'H'K.
A	03/21/2014	DRAWING RELEASED	35280	PB	VK



**MARKING**

CMC/ESP  
L8D14-1000  
1000KCMIL-350  
AL-CU



**NOTES:**

1. MATERIAL: 6061-T6 ALUMINUM.
2. FINISH: CLEAR PLATE CMS-14.
3. DIMENSIONS IN BRACKETS [ ] ARE IN MILLIMETERS ROUNDED OFF TO THE NEAREST MILLIMETER, UNLESS OTHERWISE SPECIFIED AND ARE FOR REFERENCE ONLY.

TO ORDER BURNDY® PRODUCTS CALL		6 & 8 CONDUCTOR UNIVERSAL TERMINALS													
UNITED STATES 1-800-346-4175 (LONDONDERRY, NH)		ITEM NO: 50035690													
CANADA: 1-800-361-6975 (QUEBEC) 1-800-387-6487 (ALL OTHER PROVINCES)		CAT. NO: KK8A44U14													
FOR PRODUCT INFO: <a href="http://www.burndy.com">http://www.burndy.com</a>		<table border="1"> <tr> <td>DRAWN BY: PARTHIBAN B</td> <td>3/21/2014</td> </tr> <tr> <td>CHECKER: A MONTMINY</td> <td>8/8/2014</td> </tr> <tr> <td>DSN APRVL: A MONTMINY</td> <td>8/8/2014</td> </tr> <tr> <td>MFG APRVL: P KEENAN</td> <td>8/7/2014</td> </tr> <tr> <td>QA APRVL: J BRODEUR</td> <td>8/7/2014</td> </tr> <tr> <td>MKT APRVL: M BAILLY</td> <td>8/7/2014</td> </tr> </table>		DRAWN BY: PARTHIBAN B	3/21/2014	CHECKER: A MONTMINY	8/8/2014	DSN APRVL: A MONTMINY	8/8/2014	MFG APRVL: P KEENAN	8/7/2014	QA APRVL: J BRODEUR	8/7/2014	MKT APRVL: M BAILLY	8/7/2014
DRAWN BY: PARTHIBAN B	3/21/2014														
CHECKER: A MONTMINY	8/8/2014														
DSN APRVL: A MONTMINY	8/8/2014														
MFG APRVL: P KEENAN	8/7/2014														
QA APRVL: J BRODEUR	8/7/2014														
MKT APRVL: M BAILLY	8/7/2014														
<table border="1"> <tr> <td>PROJECT #:</td> <td>SIZE</td> </tr> <tr> <td>DOCUMENT TYPE: SALES</td> <td>50040598</td> </tr> <tr> <td>REL LEVEL: Released</td> <td>B</td> </tr> </table>		PROJECT #:	SIZE	DOCUMENT TYPE: SALES	50040598	REL LEVEL: Released	B	<table border="1"> <tr> <td>DRAWING NO</td> <td>REV</td> </tr> <tr> <td>50040598</td> <td>A</td> </tr> <tr> <td colspan="2">SHEET 1 OF 1</td> </tr> </table>		DRAWING NO	REV	50040598	A	SHEET 1 OF 1	
PROJECT #:	SIZE														
DOCUMENT TYPE: SALES	50040598														
REL LEVEL: Released	B														
DRAWING NO	REV														
50040598	A														
SHEET 1 OF 1															