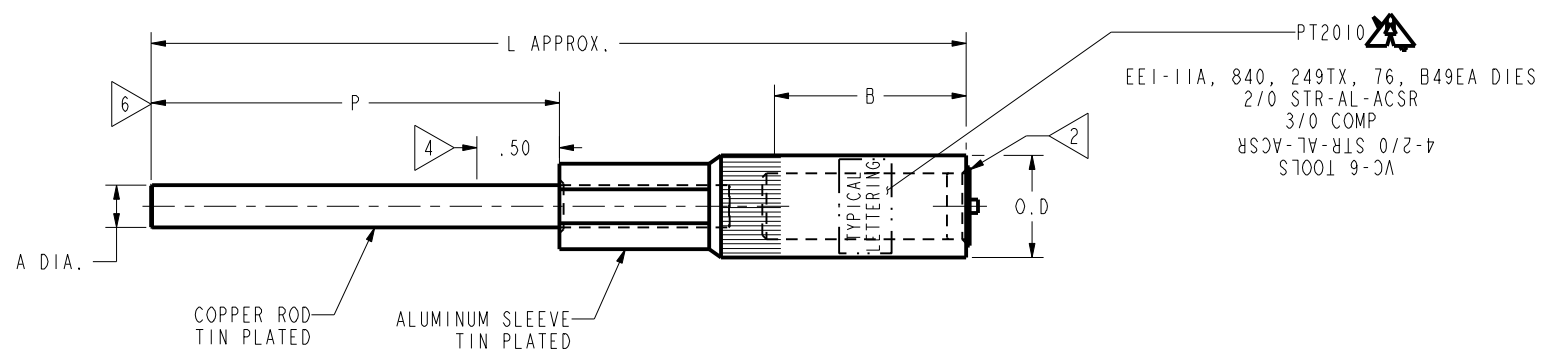


DRAWING NO. 50041281	ACCOMMODATES.						A DIA.	B	L APPROX.	O.D.	P	RECOMMENDED CRIMPING DIE CODES/VC TOOLS	CAPLUG COLOR CODE	
	CONVENTIONAL COMPRESSION			VERSA CRIMP										
	ALUMINUM	ACSR	CONDUCTOR RANGE	ALUMINUM	ACSR	CONDUCTOR RANGE								
PT6425	4 SOL. 6 STR. AND 6 COMP.	#6	0.167-0.206	#6 STR. - #4 SOL.	#6	0.146-0.206	.204 [5]	.906 [23]	4.500 [114]		2.500 [63]	BLUE		
PT4425	#2 SOL #3-#4 STR #4 COMP	#4	0.204-0.258	#6 STR. - #2 SOL.	#6 - #4	0.146-0.258	.258 [7]	1.750 [44]	9.062 [230]		6.000 [152]		ORANGE	
PT2225	#1-#2 STR. #2 COMP STR.	#2	0.268-0.328	#6 STR - #1 STR	#6 - #2 STR.	0.146-0.328	.250 [6]	.906 [23]	4.500 [114]	.650 [17]	2.500 [63]	RED		
PT2425				#8 STR - #1 STR			#8 - #2	.204 [5]					.938 [24]	
PT226				#8 STR - #1 STR	#8 - #2			.250 [6]	.906 [23]		8.000 [203]			
PTH226									.258 [7]		1.750 [44]		9.062 [230]	6.000 [152]
PT246SCL	#1-#2 STR #2 COMP STR.		0.256-0.332	#6-#1 STR.	#6-#2	0.184-0.332	.258 [7]	1.875 [48]	10.000 [254]	.906 [23]		RED		
PT10225	1/0 STR. 1/0 - 2/0 COMP.			#4STR. - 1/0 STR.	#1 - 1/0	0.232-0.396	.258 [6]	1.875 [48]	6.500 [165]	.906 [23]	2.500 [63]	YELLOW		
PT1026				#4 - 1/0 STR.	#4 - 1/0 STR.		.258 [6]	1.875 [48]	10.000 [254]	.906 [23]	6.000 [152]			
PT102S25	1/0 STR. 1/0 COMP.	1/0	0.336-0.396	#8 - 1/0 STR.	#8 - 1/0 STR.	0.146-0.448	.250 [6]	.906 [23]	4.500 [114]	.650 [17]	2.500 [63]	GRAY		
PT102S6							#8 - 2/0	0.146-0.448	.250 [6]	.906 [23]	8.000 [203]		.650 [17]	
PTH1026									#8 - 2/0	0.146-0.448	.258 [6]		1.750 [44]	9.062 [230]
PT2026											.258 [7]		1.875 [48]	10.000 [254]
PT201025	2/0 STR 3/0 COMP	2/0	0.414-0.448	#1STR. - 2/0 STR.	#1 - 2/0	0.232-0.448	.332 [8]	1.875 [48]	6.500 [165]	.906 [23]	2.500 [63]	GRAY		
PT20106				#1 - 2/0	#1 - 2/0	.332 [8]	1.875 [48]	10.000 [254]	.906 [23]	6.000 [152]				
PT30106	3/0 STR 4/0 COMP	3/0	0.464-0.502	#1STR. - 3/0 STR.	#1 - 3/0	0.232-0.502	.332 [8]	1.875 [48]	10.000 [254]	.906 [23]		BLACK		



TO ORDER BURNDY® PRODUCTS CALL
UNITED STATES
1-800-346-4175 (LONDONDERRY, NH)
CANADA:
1-800-361-6975 (QUEBEC)
1-800-387-6487 (ALL OTHER PROVINCES)
FOR PRODUCT INFO: <http://www.burndy.com>

HUBBELL POWER SYSTEMS PIGTAIL CONNECTOR
ITEM NO: 543057
CAT. NO: PT - (TABLE)
DRAWN BY: BHARATHIRAJA 10/17/14
CHECKER: --
DSN APPVL: J PAULO 10/23/14
MFG APPVL: J PASSARELLI 10/30/14
QA APPVL: T WATTS 10/21/14
MKT APPVL: J HALL 10/21/14
PROD FAM: OVERHEAD BARE CONNECT
PROJECT #: --
DOCUMENT TYPE: Sales
REL LEVEL: In Work

SCALE: 1:1
DRAWING NO: 50041281
REV: D
SHEET 1 OF 2

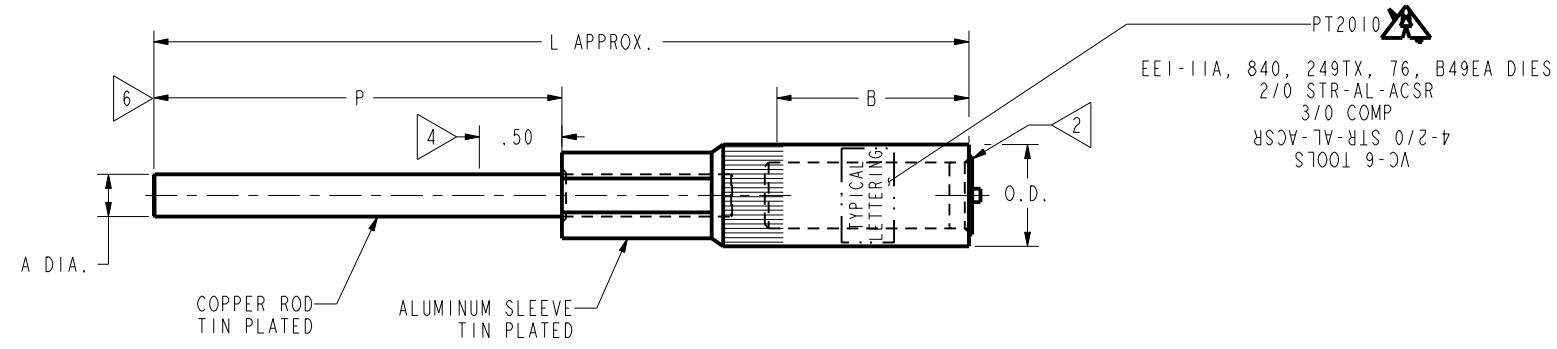
BURNDY

REV	DATE	DESCRIPTION	ECO	BY	C'H'K.
D	10/17/2014 00:00:00 AM	MARK-UP UPDATED	38106	BR	NJS

REV: PE0200

DRAWING NO. 50041281	ACCOMMODATES.						A DIA.	B	L APPROX.	O.D.	P	RECOMMENDED CRIMPING DIE CODES/VC TOOLS	CAPLUG COLOR CODE
	CONVENTIONAL COMPRESSION			VERSA CRIMP									
	ALUMINUM	ACSR	CONDUCTOR RANGE	ALUMINUM	ACSR	CONDUCTOR RANGE							
PT40206	4/0 STR. - 250 STR. 250 - 300 COMP.	4/0	0.522-0.575	#1 STR - 250 STR	#6 - 4/0	0.232-0.575	.365 [9]	1.875 [48]	10.000 [254]	.906 [23]	6.000 [152]	PINK	
PT40203				#1 STR - 250 STR			.365 [9]	1.875 [48]	7.000 [178]	.906 [23]	3.000 [76]		
PT40204				3/0 STR. - 250 STR. 250 - 300 COMP.			#4 SOL. - 250 STR.	.365 [9]	1.875 [48]	8.000 [203]	.906 [23]		4.000 [102]
PT300506	250 STR. - 300 STR. 300 - 350 COMP.	4/0 266.8 (18/1)	0.564-0.630	3/0 STR. - 300 STR.	3/0 - 266.8 (18/1)	0.464-0.630	.460 [12]	2.870 [73]	12.000 [305]	1.156 [29]	EEL-13A/ALCOA 13AH/KEARNEY 1-1/8/BURNDY 316 655 OR 750/T B96/BLACKBURN B80EA/ ANDERSON VC6	NONE	
PT350506	300-350 STR. 350-400 COMP	266 (6/7) 336 (18/1)	0.616-0.684	3/0 - 350 STR	3/0 - 336 (18/1)	0.464-0.684	.460 [12]	2.870 [73]	12.000 [305]	1.156 [29]			
PT349406		336 (18/1)	0.618-0.684	#1 - 350 STR	#1 - 336 (18/1)	0.328-0.648		1.875 [48]	10.000 [254]	.906 [23]			6.000 [152]
PT400506	336-400 STR 500 COMP. STR.	336 (18/1) 397 (18/1)	0.656-0.743	4/0 - 400 STR.	4/0 - 397 (18/1)	0.522-0.743	.460 [12]	2.870 [73]	12.000 [305]	1.156 [29]	EEL-13A/ALCOA 13AH/KEARNEY 1-1/8/BURNDY 316 655 OR 750/T B96/BLACKBURN B80EA/ ANDERSON VC6	NONE	
PT500506	450-500 STR 600 COMP. STR.	397 (18/1) 477 (18/1)	0.743-0.814	4/0 - 500 STR.	4/0 - 477 (18/1)	0.522-0.814			12.000 [305]	1.156 [29]			
PT800756	700-800 STR. 1000 COMP. STR.	605 (26/7) 715 (36/1)	0.964-1.031	600-800	605 (36/1) -715 (36/1)	0.891-1.031	.750 [19]	2.870 [73]	12.250 [311]	1.600 [41]	BURNDY 301, 308, 724 OR 786/KEARNEY 1-1/2/ALCOA 24AH/T & B 125/ANDERSON VC6	NONE	
PT800759									15.250 [387]	9.000 [229]			
PT6360624DE	636 Kcmil	--	--	636 Kcmil	--	--	.625 [16]	3.000 [76]	9.750 [248]	1.438 [37]	4.000 [102]	SOMMERSET 106/ALCOA 24AH	ORANGE

- NOTES:
- MATERIAL: AS NOTED.
 - CONNECTOR SUPPLIED PRE FILLED WITH OXIDE INHIBITOR & SEALED. OXIDE INHIBITOR IS COMPATIBLE WITH CABLE INSULATION.
 - THIS ITEMS WILL HAVE OXIDE INHIBITOR ADDED TO THE END OF THE ROD BEFORE INSERTION INTO THE SLEEVE AND THEN CRIMPED.
 - PLUG MAY BE BENT FOR INSTALLATION CONVENIENCE. IT IS RECOMMENDED THAT BENDING TAKE PLACE BEYOND THIS POINT.
 - PLUGS COLOR CODED TO CONDUCTOR SIZE.
 - SUFFIX NO'S AT THE END OF THE CATALOG NUMBER INDICATE THE EXPOSED LENGTH OF THE COPPER ROD EXTENDING FROM THE ALUMINUM BARREL. EG: PT6425 INDICATES P = 2.5 WHILE PT300506 INDICATES P = 6.0.
 - ALL DIMENSIONS FOR REFERENCE ONLY.
 - DIMENSIONS IN BRACKETS [] ARE IN MILLIMETERS ROUNDED OFF TO THE NEAREST MILLIMETER, UNLESS OTHERWISE SPECIFIED AND ARE FOR REFERENCE ONLY.



TO ORDER BURNDY® PRODUCTS CALL		HUBBELL POWER SYSTEMS PIGTAIL CONNECTOR	
UNITED STATES 1-800-346-4175 (LONDONDERRY, NH)		ITEM NO: 543057	CAT. NO: PT - (TABLE)
CANADA: 1-800-361-6975 (QUEBEC) 1-800-387-6487 (ALL OTHER PROVINCES)		DRAWN BY: BHARATHIRAJA 10/17/14	CHECKER: --
FOR PRODUCT INFO: http://www.burndy.com		DSN APPVL: J PAULO 10/23/14	MFG APPVL: J PASSARELLI 10/30/14
		QA APPVL: T WATTS 10/21/14	MKT APPVL: J HALL 10/21/14
		PROD FAM: OVERHEAD BARE CONNECT	DRAWING NO: 50041281
		PROJECT #: --	SCALE: 1:1
		DOCUMENT TYPE: Sales	REV: D
		REL LEVEL: Released	SHEET 2 OF 2

REV	DATE	DESCRIPTION	ECO	BY	C'H'K.
D	10/17/2014 00:00:00 AM	MARK-UP UPDATED	38106	BR	NJS

REV: PE0200