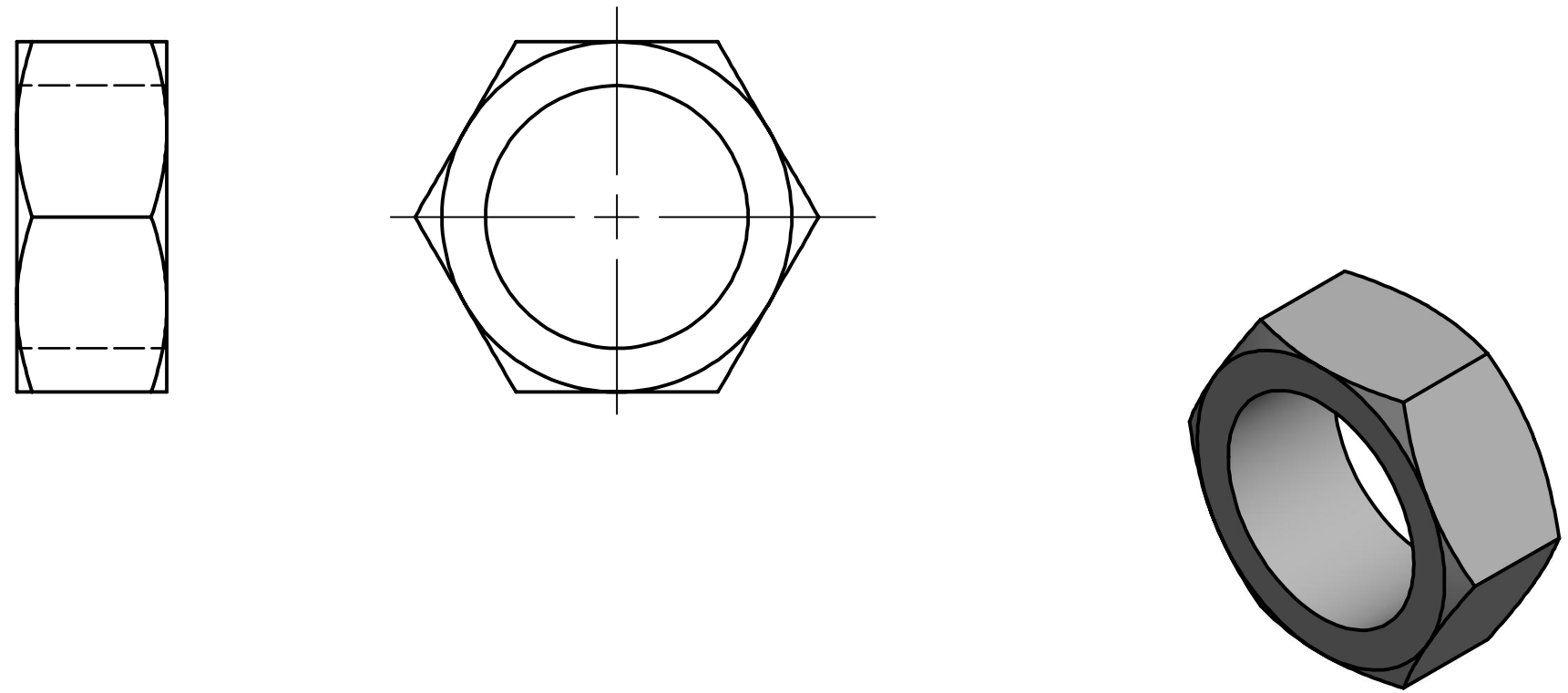


CATALOG NUMBER	THREAD SIZE
62HANBOX	5/8-11
50HANBOX	1/2-13

REV	DATE	DESCRIPTION	ECO	BY	C'H'K.
A	04/09/2014	DRAWING RELEASED	35732	MVP	MB



NOTES:

1. MATERIAL : ALUMINUM
2. DIMENSIONS IN BRACKETS [] ARE IN MILLIMETERS ROUNDED OFF TO THE NEAREST MILLIMETER, UNLESS OTHERWISE SPECIFIED AND ARE FOR REFERENCE ONLY.

TO ORDER BURNDY® PRODUCTS CALL		ALUMINUM NUTS	
UNITED STATES 1-800-346-4175 (LONDONDERRY, NH)		ITEM NO: N/A	
CANADA: 1-800-361-6975 (QUEBEC) 1-800-387-6487 (ALL OTHER PROVINCES)		CAT. NO: SEE TABLE	
FOR PRODUCT INFO: http://www.burndy.com		DRAWN BY: MANIMEKALA 04/09/2014	
		CHECKER: MANIKANDAN B 04/09/2014	
		DSN APRVL: G RUGGIERO 07/26/2016	
		MFG APRVL: --	
		QA APRVL: J BRODEUR 07/19/2016	
		MKT APRVL: K BOUTIN 07/20/2016	
		PROD FAM: --	
		DRAWING NO	
		50041463	
		REV	
		A	
		SHEET 1 OF 1	