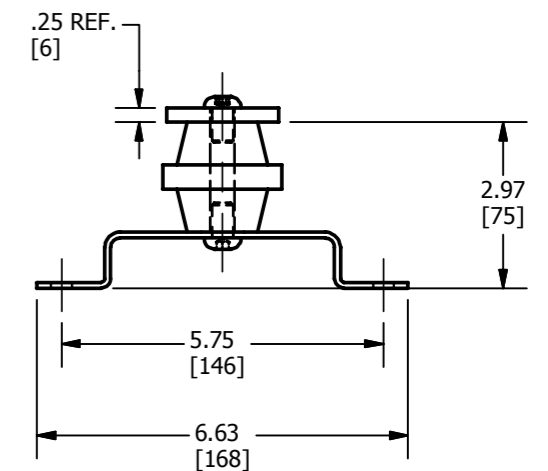
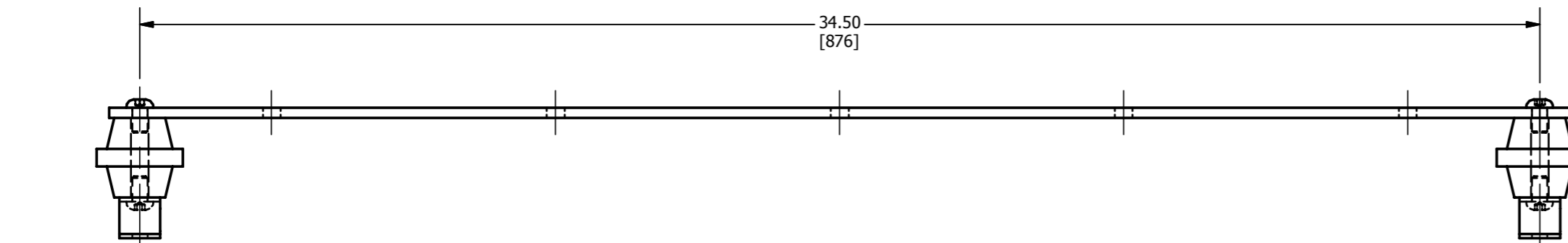
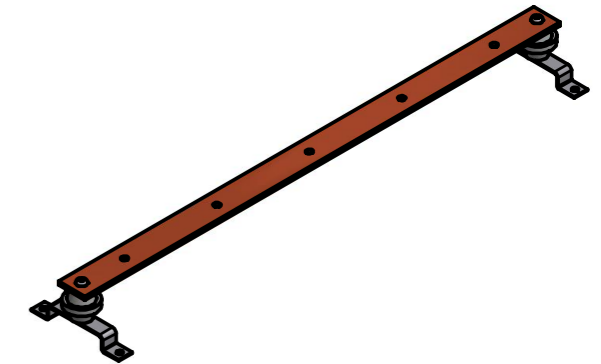
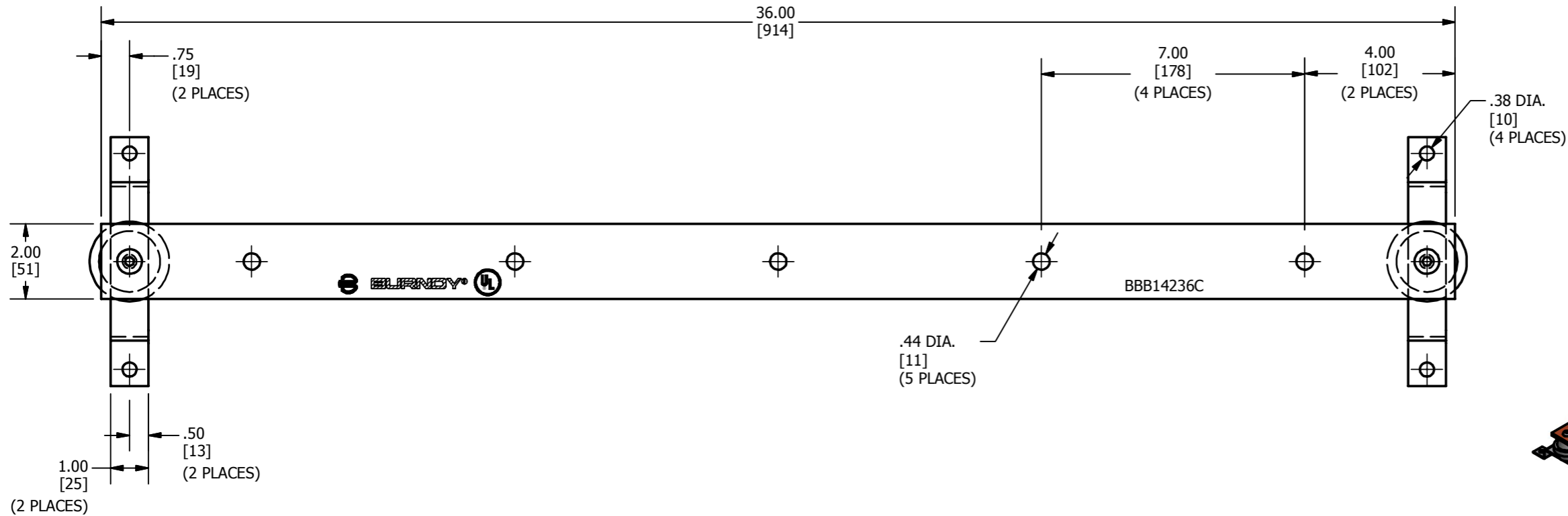


REV	DATE	DESCRIPTION	ECO	BY	C'H'K.
A	04/10/2014	DRAWING RELEASED	35686	RK	MB



**NOTES:**

1. MATERIAL: BUS BAR - COPPER.
2. DIMENSIONS IN BRACKETS [ ] ARE IN MILLIMETERS ROUNDED OFF TO THE NEAREST MILLIMETER, UNLESS OTHERWISE SPECIFIED AND ARE FOR REFERENCE ONLY.
3. THIS CATALOG NUMBER INCLUDES ONE BUS BAR, TWO INSULATORS, TWO MOUNTING BRACKETS, FOUR SELF LOCKING SCREWS.

TO ORDER BURNDY® PRODUCTS CALL		BUSBAR	
UNITED STATES 1-800-346-4175 (LONDONDERRY, NH)		ITEM NO: 50029387	
CANADA: 1-800-361-6975 (QUEBEC) 1-800-387-6487 (ALL OTHER PROVINCES)		CAT. NO: BBB14236C	
FOR PRODUCT INFO: <a href="http://www.burndy.com">http://www.burndy.com</a>		DRAWN BY: rkonathala 04/10/2014	
		CHECKER: B.MANTIKANDAN 04/11/2014	
		DSN APRVL: L.TROMBLEY 04/15/2014	
		MFG APRVL: --	
		QA APRVL: C.KOWALCZYK 04/11/2014	
		MKT APRVL: K.ROBICHEAU 04/11/2014	
		PROJ #: --	
		DRAWING NO	
		50041516	
		REV	
		A	
		SHEET 1 OF 1	