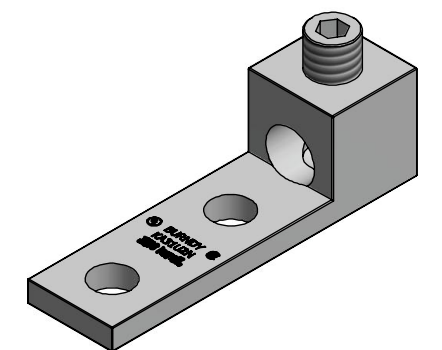
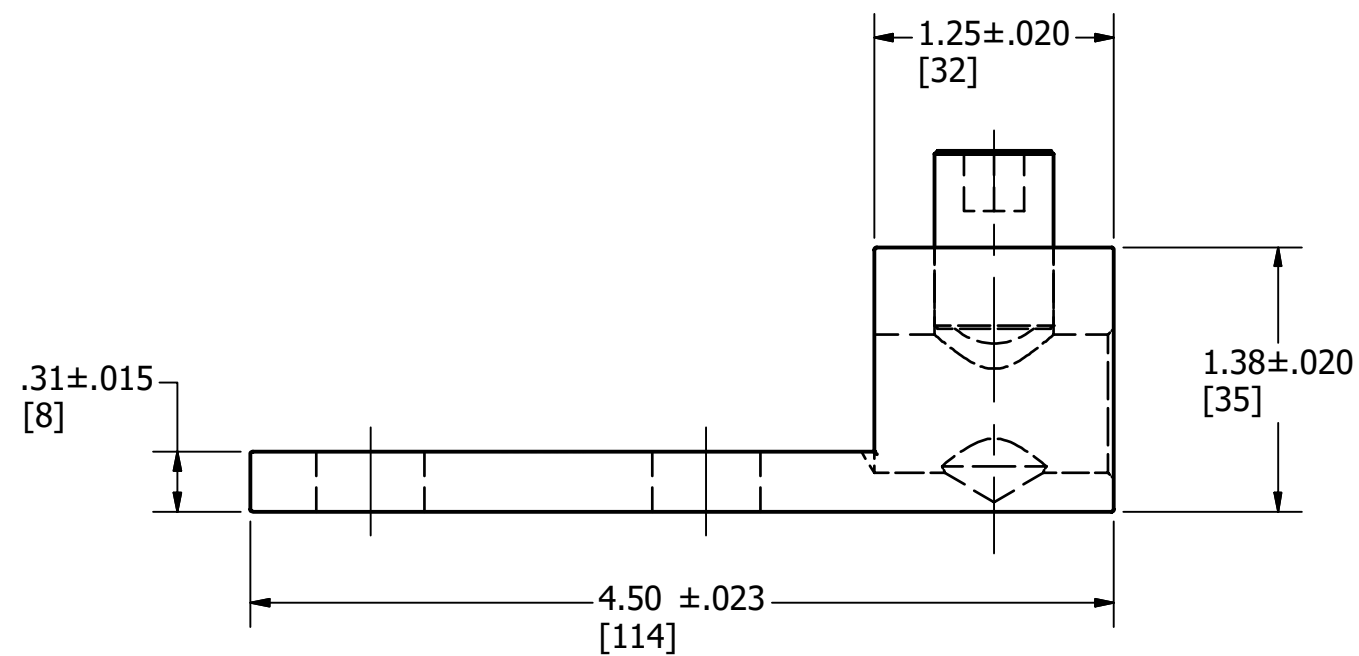
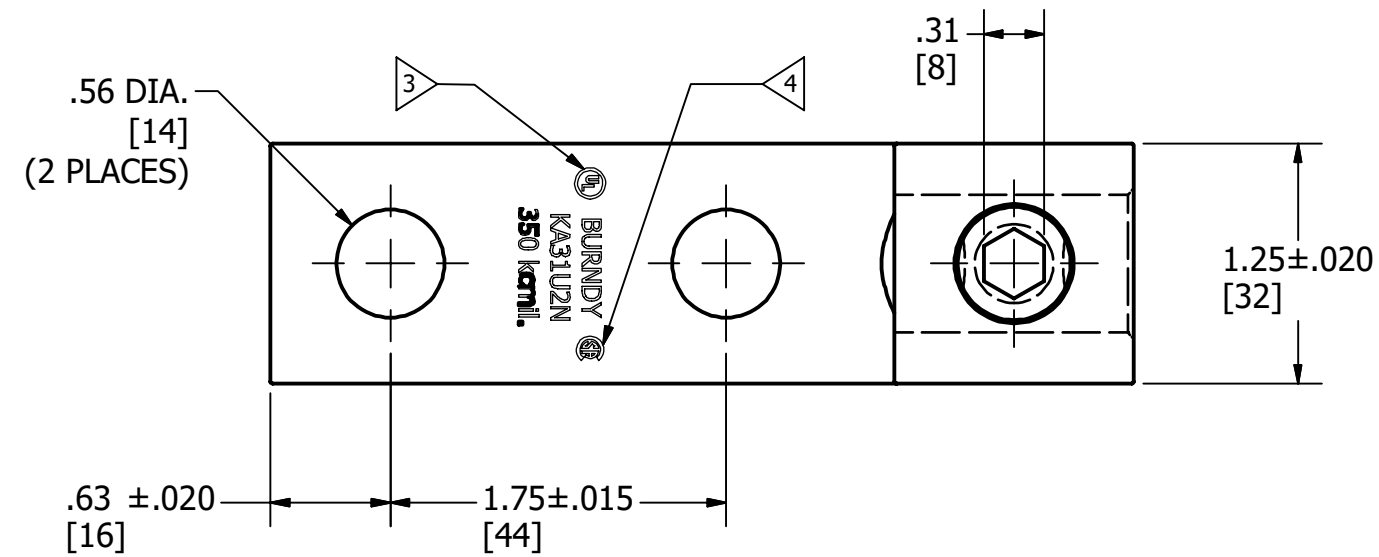


REV	DATE	DESCRIPTION	ECO	BY	C'H'K.
B	01/30/2018	UPDATED AS PER MU	48327	BK	VS



NOTES:

1. MATERIAL-BODY: ALUMINUM
SCREW: ALUMINUM
2. FINISH-BODY: TIN PLATED
SCREW: TIN PLATED
3. CONNECTORS ARE UL LISTED TO UL486A- 486B FOR ALUMINUM AND COPPER CONDUCTORS AT 90°C. STAMP MAY READ CU9AL OR AL9CU TO INDICATE THIS LISTING.
4. CONNECTORS ARE CSA CERTIFIED TO C22.2, NO. 65 FOR INDICATED CONDUCTOR RANGE.
5. "N" INDICATES NEMA STANDARD STUD HOLES.
6. APPROXIMATE WEIGHT: .278 LBS
7. DIMENSIONS IN BRACKETS [] ARE IN MILLIMETERS ROUNDED OFF TO THE NEAREST MILLIMETER, UNLESS OTHERWISE SPECIFIED AND ARE FOR REFERENCE ONLY.
8. NOT RECOMMENDED FOR USE IN HIGHLY CORROSIVE ENVIRONMENT.
9. ACCOMMODATES: CONDUCTOR RANGE ALUMINIUM OR COPPER.
6-350 kcmil.
TORQUE: 275(31) IN LBS

TO ORDER BURNDY® PRODUCTS CALL		UNIVERSAL TERMINAL	
UNITED STATES 1-800-346-4175 (LONDONDERRY, NH)		ITEM NO: 003195	
CANADA: 1-800-361-6975 (QUEBEC) 1-800-387-6487 (ALL OTHER PROVINCES)		CAT. NO: KA31U2N	
FOR PRODUCT INFO: http://www.burndy.com		DRAWN BY: GNATH 05/02/2014	
		CHECKER: B. MANIKANDAN 02/02/2017	
		DSN APRVL: T. REYNOLDS 02/02/2017	
		MFG APRVL: P. KEENAN 02/01/2017	
		QA APRVL: C. KOWALCZYK 02/02/2017	
		MKT APRVL: M. BAILLY 02/02/2017	
PROD FAM: --	DRAWING NO	REV	
PROJECT #: --	SIZE	50041842	B
DOCUMENT TYPE: SALES	B	SHEET 1 OF 1	
REL LEVEL: Released			