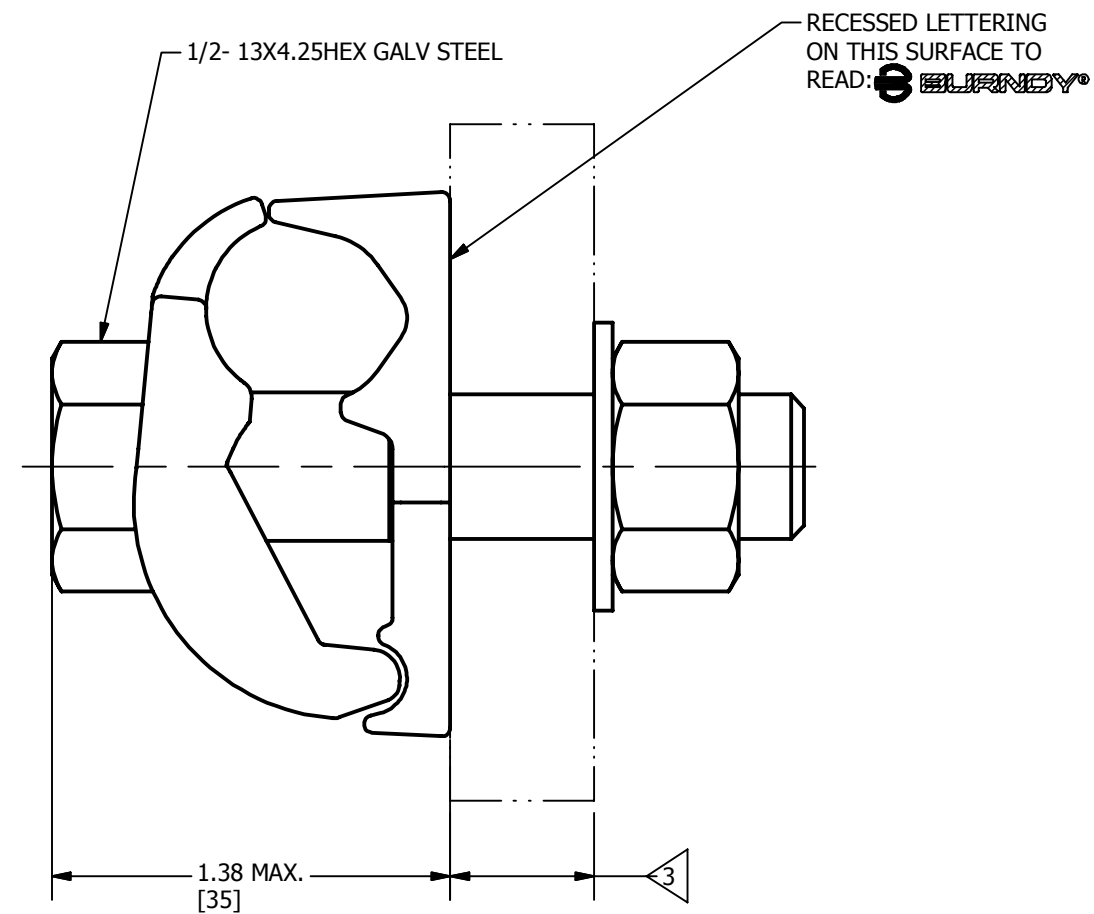
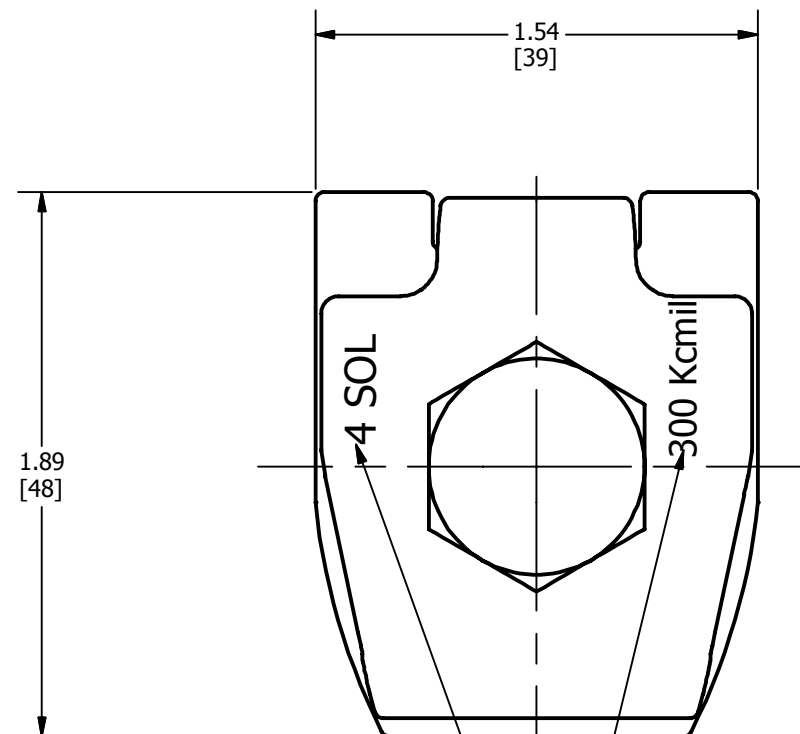


REV	DATE	DESCRIPTION	ECO	BY	CHK.
A	06/12/2014	DRAWING RELEASED	36475	SAV	MB



NOTES:

1. FINISH: TIN PLATED.
2. DIMENSIONS IN BRACKETS [] ARE IN MILLIMETERS ROUNDED OFF TO THE NEAREST MILLIMETER, UNLESS OTHERWISE SPECIFIED AND ARE FOR REFERENCE ONLY.

3. FOR BAR THICKNESS FROM 1/4" TO 1/2" ADD THE SUFFIX "T4" TO THE CATALOG NUMBER. FOR BAR THICKNESS FROM 1/2" TO 1" ADD THE SUFFIX "T8" TO THE CATALOG NUMBER.

TO ORDER BURNDY® PRODUCTS CALL		GROUND CONNECTOR													
UNITED STATES 1-800-346-4175 (LONDONDERRY, NH)		ITEM NO: 26423X,50032292													
CANADA: 1-800-361-6975 (QUEBEC) 1-800-387-6487 (ALL OTHER PROVINCES)		CAT. NO: GBL30T4, GBL30GDT4TN													
FOR PRODUCT INFO: http://www.burndy.com		<table border="1"> <tr> <td>DRAWN BY: V.SATHYA</td> <td>6/12/2014</td> </tr> <tr> <td>CHECKER: B.MANIKANDAN</td> <td>6/12/2014</td> </tr> <tr> <td>DSN APRVL: L.TROMBLEY</td> <td>6/13/2014</td> </tr> <tr> <td>MFG APRVL: G.KELLY</td> <td>6/13/2014</td> </tr> <tr> <td>QA APRVL: J.HILLMAN</td> <td>6/16/2014</td> </tr> <tr> <td>MKT APRVL: K.ROBICHEAU</td> <td>6/17/2014</td> </tr> </table>		DRAWN BY: V.SATHYA	6/12/2014	CHECKER: B.MANIKANDAN	6/12/2014	DSN APRVL: L.TROMBLEY	6/13/2014	MFG APRVL: G.KELLY	6/13/2014	QA APRVL: J.HILLMAN	6/16/2014	MKT APRVL: K.ROBICHEAU	6/17/2014
DRAWN BY: V.SATHYA	6/12/2014														
CHECKER: B.MANIKANDAN	6/12/2014														
DSN APRVL: L.TROMBLEY	6/13/2014														
MFG APRVL: G.KELLY	6/13/2014														
QA APRVL: J.HILLMAN	6/16/2014														
MKT APRVL: K.ROBICHEAU	6/17/2014														
PROJ FAM: --		DRAWING NO	REV												
PROJECT #: --	SIZE	50041925	A												
DOCUMENT TYPE: SALES	B	SHEET 1 OF 1													
REL LEVEL: Released															