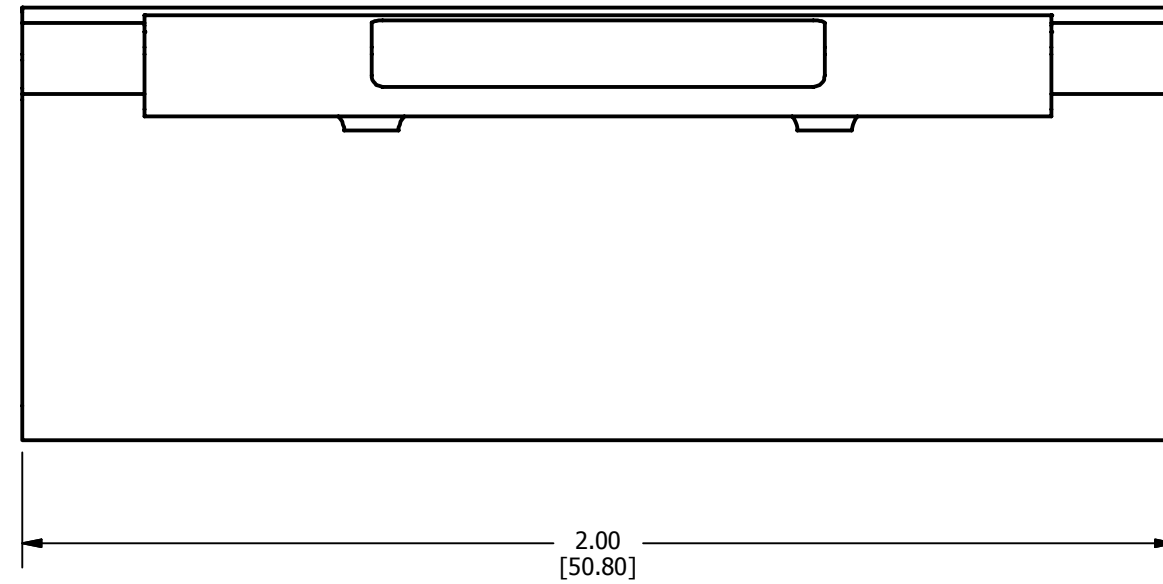
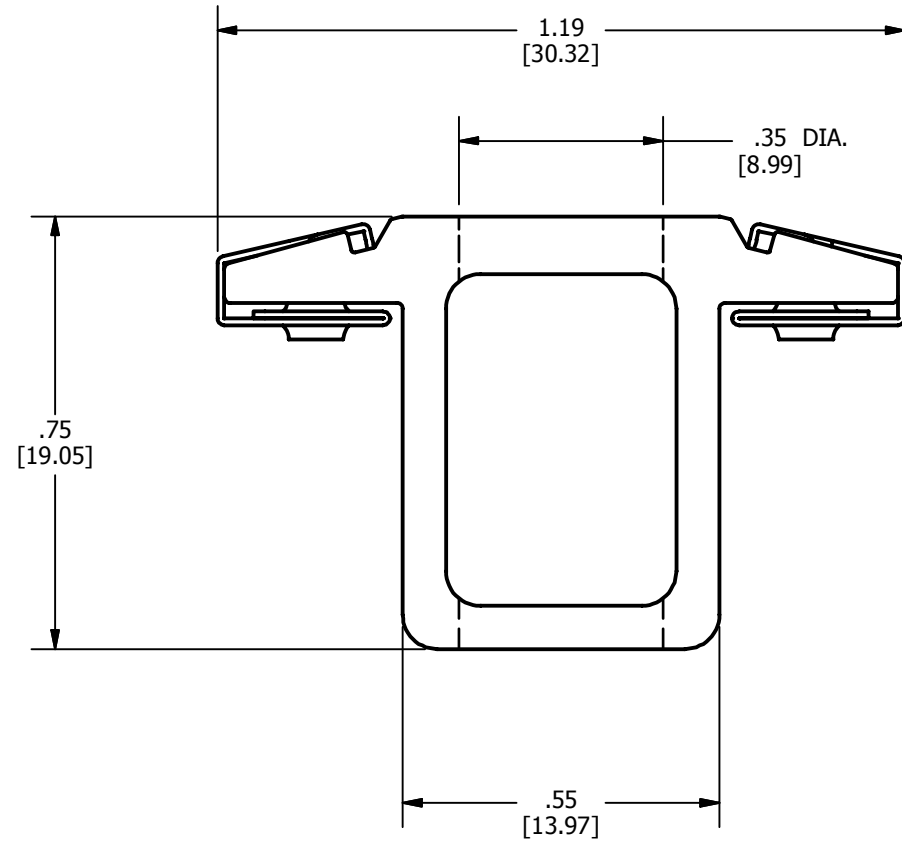


REV	DATE	DESCRIPTION	ECO	BY	C'H.K.
B	06/11/2014	UPDATED ASSEMBLY VIEWS AND SALES DRAWING TEMPLATE	36457	KR	EM



**NOTES:**

1. THIS DRAWING TO BE INTERPRETED PER ASME Y14.5M-2009.
2. DIMENSIONS IN BRACKETS [ ] ARE IN MILLIMETERS ROUNDED OFF TO THE NEAREST MILLIMETER, UNLESS OTHERWISE SPECIFIED AND ARE FOR REFERENCE ONLY.
3. FOR USE WITH 5/16" OR M8 HARDWARE.
4. FINISH: CLEAR ANODIZED.

TO ORDER BURNDY PRODUCTS CALL		WEEB MID CLAMP, 5/16	
UNITED STATES		ITEM NO: 50042259	
1-800-346-4175 (LONDONDERRY, NH)		CAT. NO: WEEB-BMC2-516CL	
CANADA:		DRAWN BY: M KOVILRAJ	
1-800-361-6975 (QUEBEC)		CHECKER: E MARTIN 6/13/2014	
1-800-387-6487 (ALL OTHER PROVINCES)		DSN APRVL: E MARTIN 6/13/2014	
FOR PRODUCT INFO: <a href="http://www.burndy.com">http://www.burndy.com</a>		MFG APRVL: --	
		QA APRVL: C KOWALCZYK 6/17/2014	
		MKT APRVL: S PARSONS 6/13/2014	
		PROD FAM: --	
		DRAWING NO	
		50042260	
		REV	
		B	
		SHEET 1 OF 1	