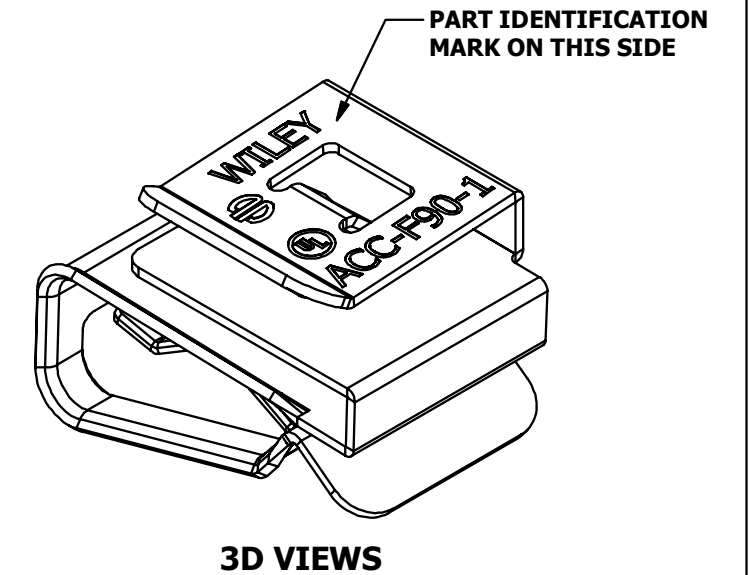
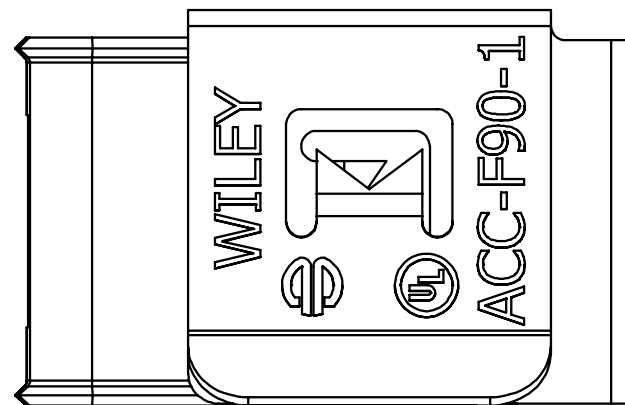
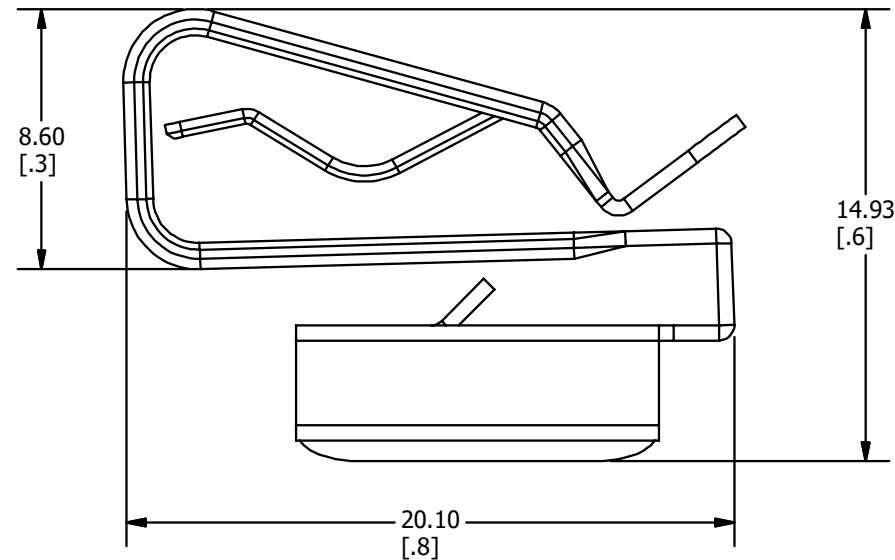
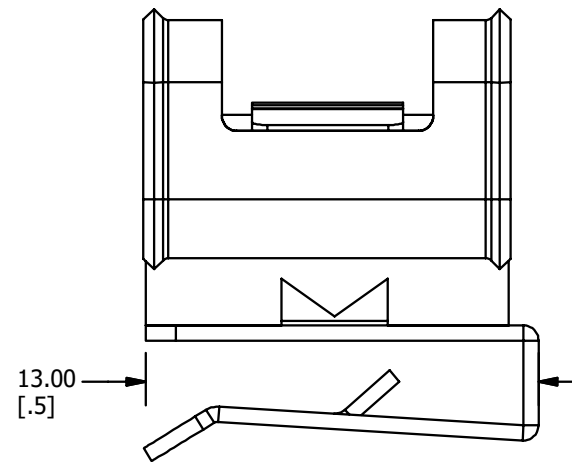
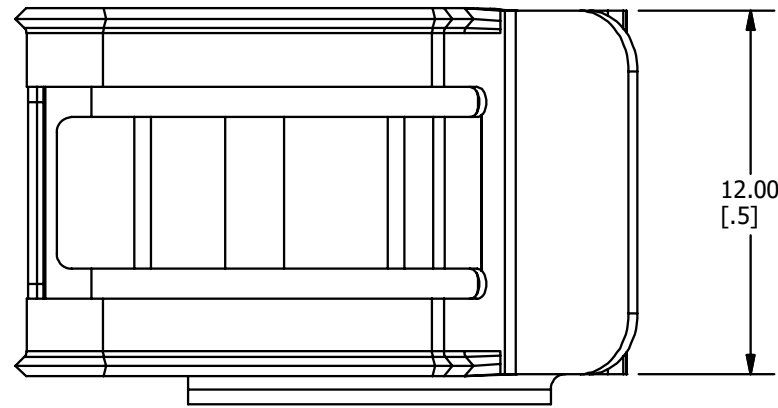


REV	DATE	DESCRIPTION	EC	BY	C'H'K.
D	09/28/2023	DRAWING UPDATE	230929033755	EM	BM



NOTES:

1. MATERIAL: 304 STAINLESS STEEL.
2. DIMENSIONS IN BRACKETS [] ARE IN INCHES ROUNDED OFF TO THE NEAREST TENTH, UNLESS OTHERWISE SPECIFIED AND ARE FOR REFERENCE ONLY.
3. DESIGNED TO HOLD UP TO (2) USE-2 WIRES OR UP TO (2) PV WIRES.
4. LISTED TO UL1565 STANDARD FOR POSITIONING DEVICES.

TO ORDER BURNDY® PRODUCTS CALL
 UNITED STATES
 1-800-346-4175 (LONDONDERRY, NH)
 CANADA:
 1-800-387-6487
 FOR PRODUCT INFO: <http://www.burndy.com>

ACME CABLE CLIP	
ITEM NO: 50042497	
CAT. NO: ACC-F90-1 (50042497)	
DRAWN BY: GNATHR	07-09-2015
CHECKER: E.MARTIN	08-12-2019
DSN APRVL: E.MARTIN	08-12-2019
MFG APRVL: J.VERRANAULT	10-03-2023
QA APRVL: B.ELLIOTT	08-12-2019
MKT APRVL: S.PARSONS	08-27-2019
PROD FAM: WILEY	
PROJECT #:	SIZE
DOCUMENT TYPE: SALES	B
REL LEVEL: Released	
DRAWING NO	REV
50042499	D
SHEET 1 OF 1	

