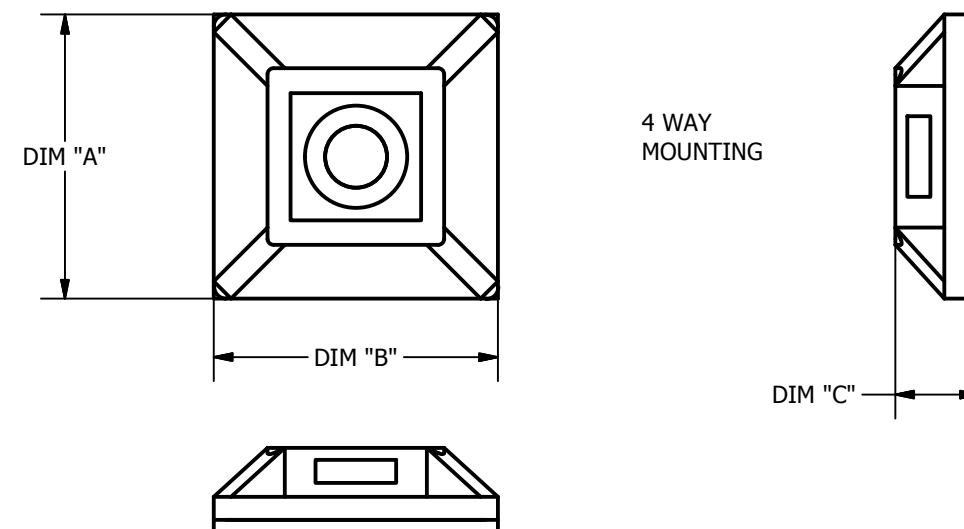


BURNDY® ITEM NUMBER	BURNDY® CATALOG NUMBER	MOUNTING METHOD	UL TYPE DESIGNATION	MECHANICAL STRENGTH LB / KG	MAX SLOT TIE WIDTH IN/MM	DIM "A"	DIM "B"	HEIGHT DIM "C"	MATERIAL	COLOR	PKG QTY	MIN OPR TEMP F / C	MAX OPR TEMP F / C	BAG HEIGHT	BAG WIDTH
10023725	CTB075S4C	#6 OR #8 SCREW	TYPE 11	20 / 9.1	.14/3.6	.75 [19]	.74 [19]	.19 [5]	NYLON 6/6	NATURAL	100	32 / 0	158 / 70	11	7
10023727	CTB075S4M	#6 OR #8 SCREW	TYPE 11	20 / 9.1	.14/3.6	.75 [19]	.75 [19]	.19 [5]	NYLON 6/6	NATURAL	1000	32 / 0	158 / 70	11	7
10023729	CTB075AA4C	ACRYLIC ADHESIVE OR #6 OR #8 SCREW	TYPE 11	20 / 9.1	.14/3.6	.75 [19]	.75 [19]	.19 [5]	NYLON 6/6	NATURAL	100	32 / 0	158 / 70	11	7
10023730	CTB075AA4C0	ACRYLIC ADHESIVE OR #6 OR #8 SCREW	TYPE 11	20 / 9.1	.14/3.6	.75 [19]	.75 [19]	.19 [5]	NYLON 6/6	NATURAL	100	32 / 0	158 / 70	11	7
10023731	CTB075AA4M	ACRYLIC ADHESIVE OR #6 OR #8 SCREW	TYPE 11	20 / 9.1	.14/3.6	.75 [19]	.75 [19]	.19 [5]	NYLON 6/6	NATURAL	1000	32 / 0	158 / 70	11	7
10023733	CTB075RA4C	RUBBER ADHESIVE OR #6 OR #8 SCREW	TYPE 11	20 / 9.1	.14/3.6	.75 [19]	0.75 [19]	.19 [5]	NYLON 6/6	NATURAL	100	32 / 0	158 / 70	11	7
10023734	CTB075RA4C0	RUBBER ADHESIVE OR #6 OR #8 SCREW	TYPE 11	20 / 9.1	.14/3.6	.75 [19]	.75 [19]	.19 [5]	NYLON 6/6	UV BLACK	100	32 / 0	158 / 70	11	7
10023735	CTB075RA4M	RUBBER ADHESIVE OR #6 OR #8 SCREW	TYPE 11	20 / 9.1	.14/3.6	.75 [19]	.75 [19]	.19 [5]	NYLON 6/6	NATURAL	1000	32 / 0	158 / 70	10	10
50034743	CTB100S4C	#10 SCREW	TYPE 11	30 / 13.6	.2/5.1	1.00 [25]	1.00 [25]	.20 [5]	NYLON 6/6	NATURAL	100	32 / 0	158 / 70	10	10
50034744	CTB100AA4C	ACRYLIC ADHESIVE OR #10 SCREW	TYPE 11	30 / 13.6	.2/5.1	1.00 [25]	1.00 [25]	.20 [5]	NYLON 6/6	NATURAL	100	32 / 0	158 / 70	11	7
50034746	CTB100AA4D	ACRYLIC ADHESIVE OR #10 SCREW	TYPE 11	30 / 13.6	.2/5.1	1.00 [25]	1.00 [25]	.20 [5]	NYLON 6/6	NATURAL	500	32 / 0	158 / 70	11	7
50034745	CTB100AA4C0	ACRYLIC ADHESIVE OR #10 SCREW	TYPE 11	30 / 13.6	.2/5.1	1.00 [25]	1.00 [25]	.20 [5]	NYLON 6/6	UV BLACK	100	32 / 0	158 / 70	11	7

REV	DATE	DESCRIPTION	ECO	BY	CHK.
B	8/17/2015	REMOVED 10023753 / CTB150RA4C	41319	AM	KB



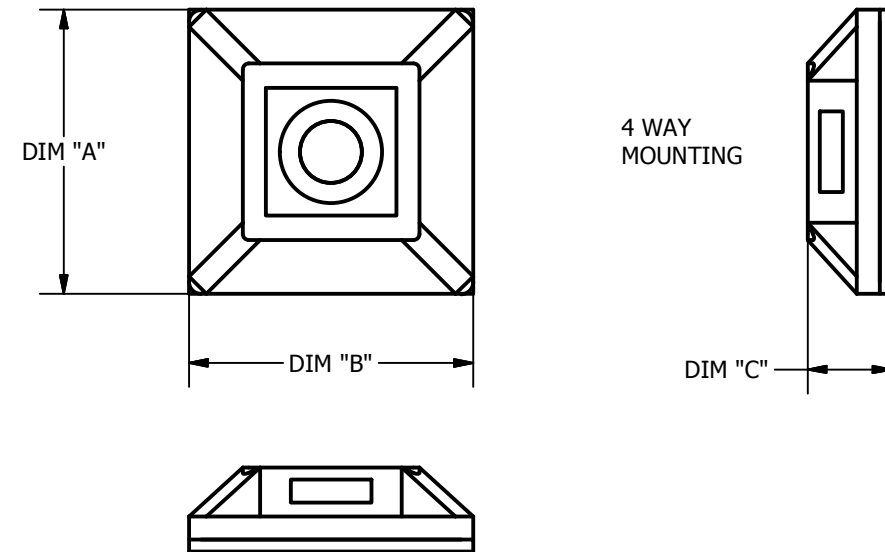
NOTES:

1. DIMENSIONS IN BRACKETS [] ARE IN MILLIMETERS ROUNDED OFF TO THE NEAREST MILLIMETER, UNLESS OTHERWISE SPECIFIED AND ARE FOR REFERENCE ONLY.

TO ORDER BURNDY PRODUCTS CALL		MOUNTING BASES	
UNITED STATES		ITEM NO: SEE TABLE	
1-800-346-4175 (LONDONDERRY, NH)		CAT. NO: SEE TABLE	
CANADA:		DRAWN BY: SURESH BABU 5/2/2014	
1-800-361-6975 (QUEBEC)		CHECKER: A.MONTMINY 5/2/2014	
1-800-387-6487 (ALL OTHER PROVINCES)		DSN APRVL: A.MONTMINY 5/1/2014	
FOR PRODUCT INFO: http://www.burndy.com		MFG APRVL: _____	
		QA APRVL: C.KOWALCZYK 5/1/2014	
		MKT APRVL: R.CAVANAUGH 5/2/2014	
		PROD FAM: MOUNTING BASES	
		DRAWING NO	
		50042700	
		REV	
		B	
		SHEET 1 OF 2	

BURNDY® ITEM NUMBER	BURNDY® CATALOG NUMBER	MOUNTING METHOD	UL TYPE DESIGNATION	MECHANICAL STRENGTH LB / KG	MAX SLOT TIE WIDTH IN/MM	DIM "A"	DIM "B"	HEIGHT DIM "C"	MATERIAL	COLOR	PKG QTY	MIN OPR TEMP F / C	MAX OPR TEMP F / C	BAG HEIGHT	BAG WIDTH
50034747	CTB100RA4C	RUBBER ADHESIVE OR #10 SCREW	TYPE 11	30 / 13.6	.2/5.1	1.00 [25]	1.00 [25]	.20 [5]	NYLON 6/6	NATURAL	100	32 / 0	158 / 70	11	7
50034751	CTB100RA4L	RUBBER ADHESIVE OR #10 SCREW	TYPE 11	30 / 13.6	.2/5.1	1.00 [25]	1.00 [25]	.20 [5]	NYLON 6/6	NATURAL	50	32 / 0	158 / 70	11	7
50034748	CTB100RA4C0	RUBBER ADHESIVE OR #10 SCREW	TYPE 11	30 / 13.6	.2/5.1	1.00 [25]	1.00 [25]	.20 [5]	NYLON 6/6	UV BLACK	100	32 / 0	158 / 70	11	7
50034749	CTB100RA4D	RUBBER ADHESIVE OR #10 SCREW	TYPE 11	30 / 13.6	.2/5.1	1.00 [25]	1.00 [25]	.20 [5]	NYLON 6/6	NATURAL	500	32 / 0	158 / 70	10	10
10023751	CTB150AA4B	ACRYLIC ADHESIVE OR #10 SCREW	--	30 / 13.6	.35/8.9	1.5 [38]	1.5 [38]	.25 [6]	NYLON 6/6	NATURAL	500	32 / 0	158 / 70	11	7
10023754	CTB150RA4C0	RUBBER ADHESIVE OR #10 SCREW	--	30 / 13.6	.35/8.9	1.5 [38]	1.5 [38]	.25 [6]	NYLON 6/6	UV BLACK	100	32 / 0	158 / 70	11	7
10023755	CTB150RA4B	RUBBER ADHESIVE OR #10 SCREW	--	30 / 13.6	.35/8.9	1.5 [38]	1.5 [38]	.25 [6]	NYLON 6/6	NATURAL	500	32 / 0	158 / 70	10	8
50034750	CTB100RA2C	RUBBER ADHESIVE OR #10 SCREW	--	30 / 13.6	.2/5.1	1.00 [25]	1.00 [25]	.19 [5]	NYLON 6/6	NATURAL	100	32 / 0	158 / 70	11	7
10025425	CTB150S4B	#6 OR #8 SCREW	--	30 / 13.6	.35/8.9	1.5 [38]	1.5 [38]	.25 [6]	NYLON 6/6	NATURAL	250	32 / 0	158 / 70	11	10

REV	DATE	DESCRIPTION	ECO	BY	CHK.
B	8/17/2015	REMOVED 10023753 / CTB150RA4C	41319	AM	KB



TO ORDER BURNDY PRODUCTS CALL		MOUNTING BASES	
UNITED STATES		ITEM NO: SEE TABLE	
1-800-346-4175 (LONDONDERRY, NH)		CAT. NO: SEE TABLE	
CANADA:		DRAWN BY: SURESH BABU 5/2/2014	
1-800-361-6975 (QUEBEC)		CHECKER: A.MONTMINY 5/2/2014	
1-800-387-6487 (ALL OTHER PROVINCES)		DSN APRVL: A.MONTMINY 5/1/2014	
FOR PRODUCT INFO: http://www.burndy.com		MFG APRVL:	
		QA APRVL: C.KOWALCZYK 5/1/2014	
		MKT APRVL: R.CAVANAUGH 5/2/2014	
		PROD FAM: MOUNTING BASES	
		DRAWING NO	
		50042700	
		REV	
		B	
		SHEET 2 OF 2	