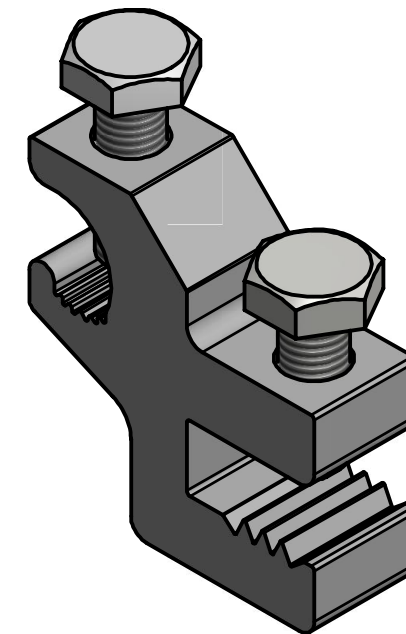
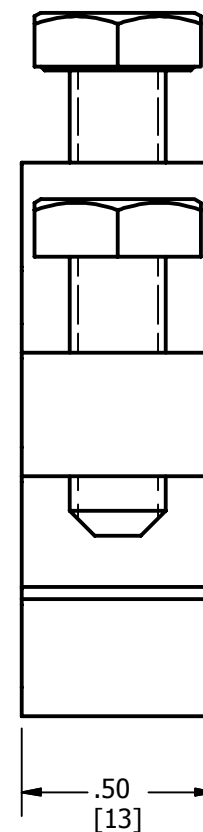
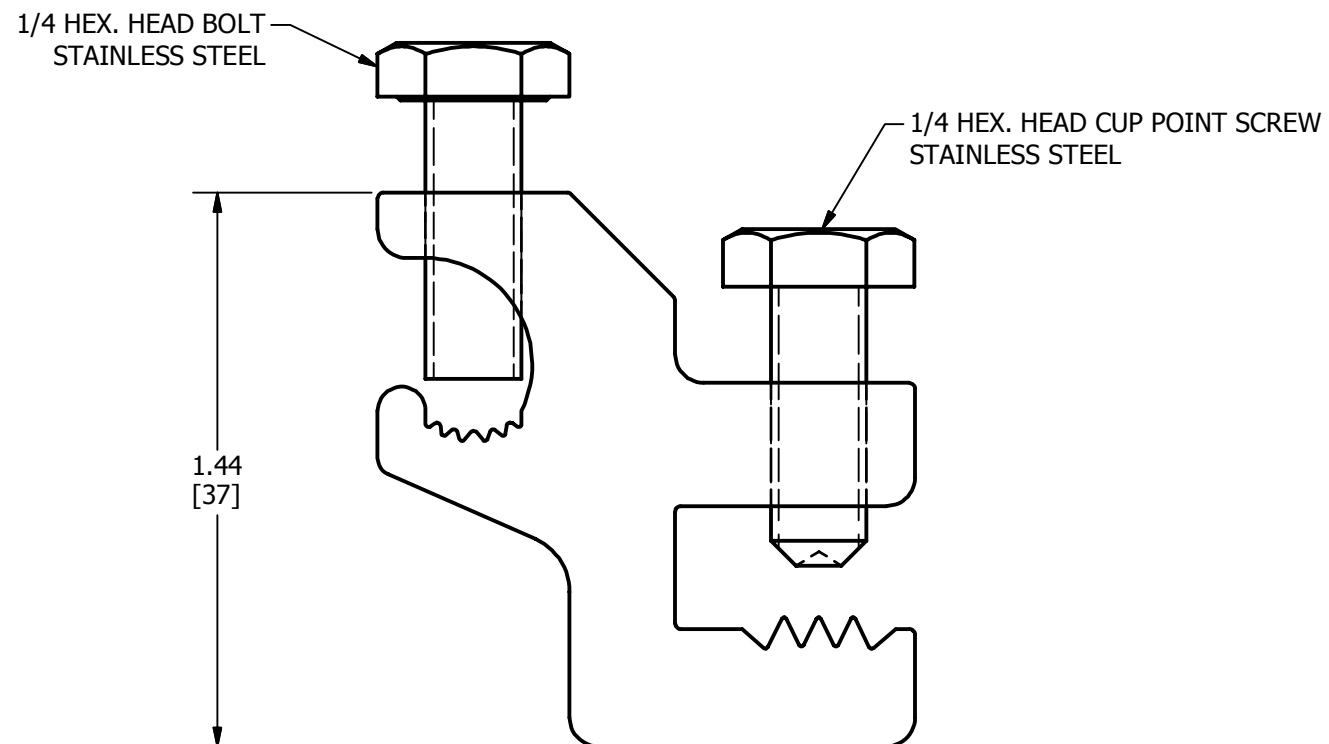
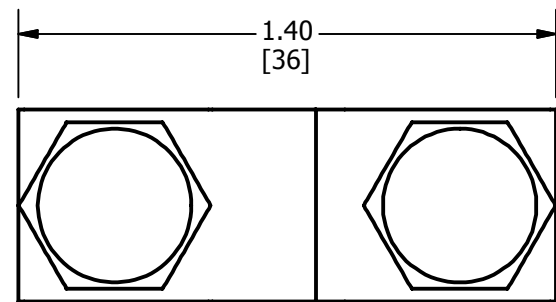


CATALOG NO.	ITEM NO.
BGBS5	50042066
5 > BGBS5BULK	50059709

REV	DATE	DESCRIPTION	ECO	BY	C'HK.
A	01/21/2016	DRAWING RELEASED	42698	SPR	DD

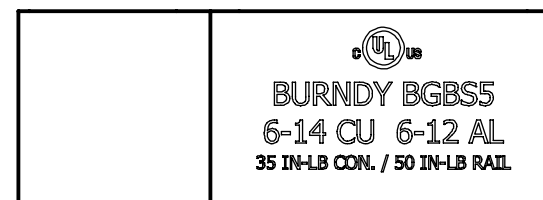


NOTES:

1. MATERIAL: ALUMINUM.
2. FINISH: TIN PLATED.
3. cULus LISTED GROUNDING AND BONDING CONNECTOR.
RAIL SIZE: .06 - .25 INCH GALVANIZED STEEL OR ANODIZED AL.
CONDUCTOR: 14-6 AWG CU STR/SOL; 12-6 AWG AL STR/SOL.
4. cULus LISTED PHOTOVOLTAIC GROUNDING DEVICE.
RAIL SIZE: .06 - .25 INCH GALVANIZED STEEL OR ANODIZED AL.
CONDUCTOR: 14-6 AWG CU STR/SOL; 12-6 AWG AL STR/SOL.

5 > BGBS5BULK DENOTES BULK PACKAGING.

6. DIMENSIONS IN BRACKETS [] ARE IN MILLIMETERS ROUNDED OFF TO THE NEAREST MILLIMETER, UNLESS OTHERWISE SPECIFIED AND ARE FOR REFERENCE ONLY.



TO ORDER BURNDY® PRODUCTS CALL		ALUMINUM LAY-IN GROUND CLAMP	
UNITED STATES 1-800-346-4175 (LONDONDERRY, NH)		ITEM NO: SEE TABLE	
CANADA: 1-800-361-6975 (QUEBEC) 1-800-387-6487 (ALL OTHER PROVINCES)		CAT. NO: SEE TABLE	
FOR PRODUCT INFO: http://www.burndy.com		DRAWN BY: D DHEENA 05/13/2014	
		CHECKER: K CASTONGUAY 03/11/2015	
		DSN APRVL: K CASTONGUAY 03/11/2015	
		MFG APRVL: --	
		QA APRVL: C.KOWALCZYK 01/18/2016	
		MKT APRVL: K.ROBICHEAU 01/18/2016	
		PROJ #:	SIZE
		SALES	50043331
		REL LEVEL: Released	B
		DRAWING NO	REV
		50043331	A
		SHEET 1 OF 1	