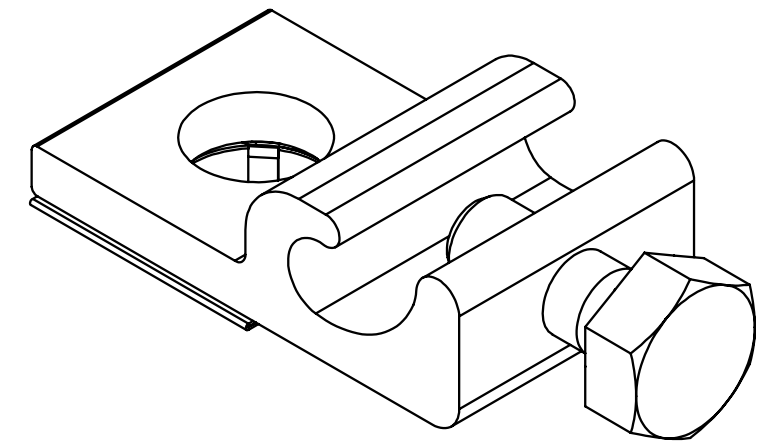
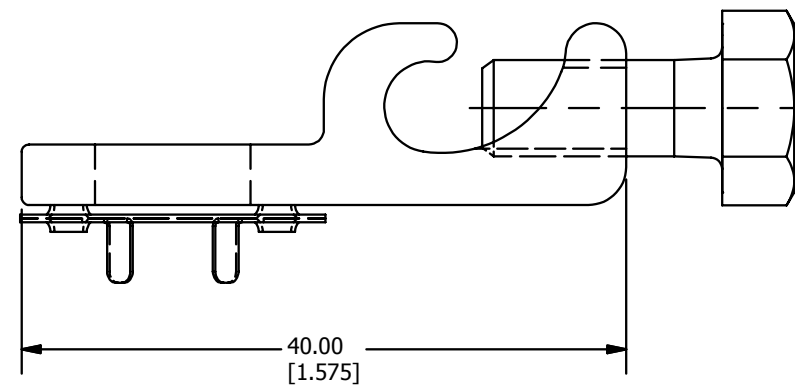
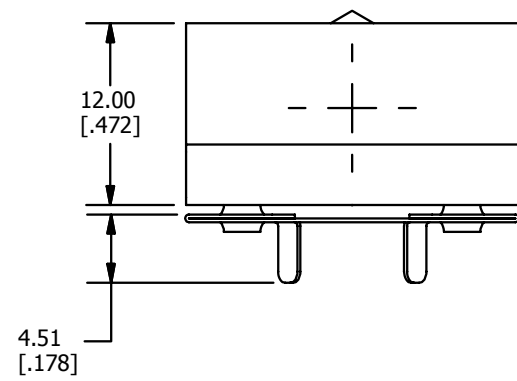
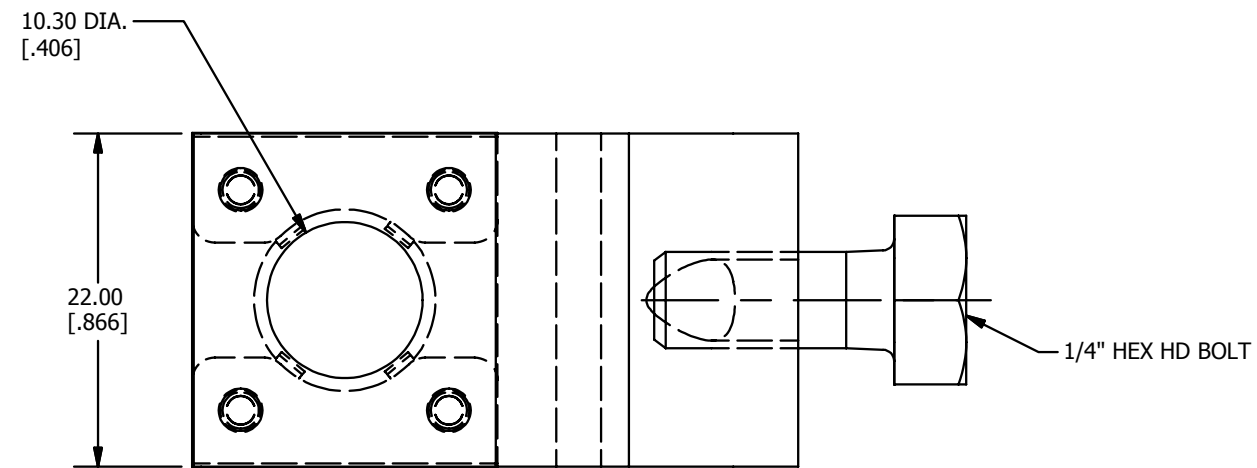


REV	DATE	DESCRIPTION	ECO	BY	C'H'K.
A	05/29/2014	DRAWING REVISED FROM "1" TO "A"	36323	TM	EM



3D VIEW

NOTES:

1. MATERIAL: TIN PLATED COPPER (BODY).
2. ACCOMMODATES: 6-14 AWG.
3. DIMENSIONS IN BRACKETS [] ARE IN INCHES ROUNDED OFF TO THE NEAREST TENTH, UNLESS OTHERWISE SPECIFIED AND ARE FOR REFERENCE ONLY.

TO ORDER BURNDY PRODUCTS CALL UNITED STATES 1-800-346-4175 (LONDONDERRY, NH) CANADA: 1-800-361-6975 (QUEBEC) 1-800-387-6487 (ALL OTHER PROVINCES) FOR PRODUCT INFO: http://www.burndy.com		GROUNDING LUG	
		ITEM NO: 50043615 CAT. NO: WEEB-LUG-10.3	
DRAWN BY: M THAMARAI 5/30/2012 CHECKER: E MARTIN 5/30/2014 DSN APRVL: E MARTIN 5/30/2014 MFG APRVL: M STEVENS 5/30/2014 QA APRVL: C KOWALCZYK 5/30/2014 MKT APRVL: S PARSONS 5/30/2014			
PROD FAM: WILEY PROJECT #: _____ DOCUMENT TYPE: Sales REL LEVEL: Released	SIZE: _____ B	DRAWING NO: 50043617 SHEET 1 OF 1	REV: A