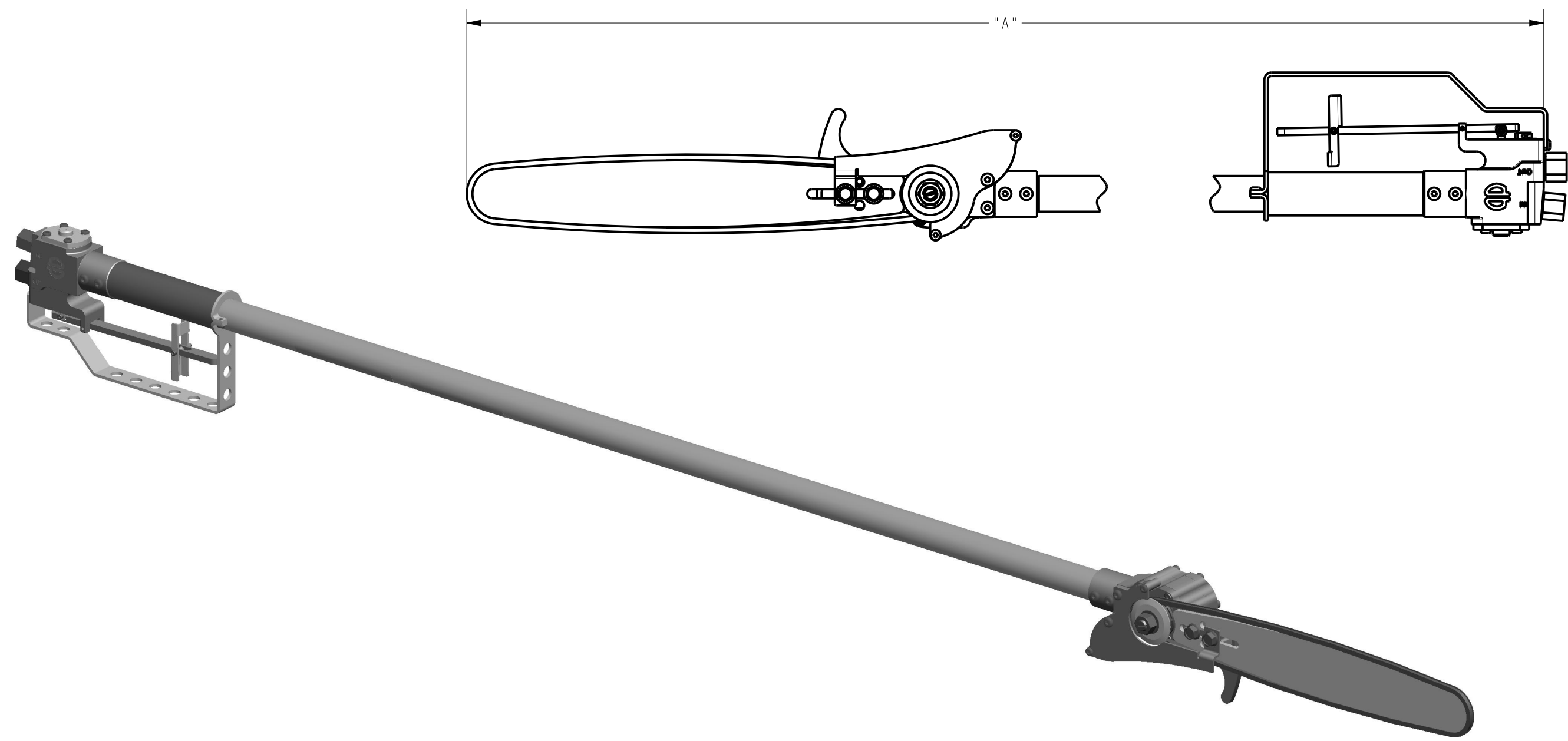


ITEM NUMBER	CATALOG NUMBER	DESCRIPTION	DIMENSION "A"
50044306	HPS1375LWMAG	HYDRAULIC POLE CHAIN SAW, 75"	75"
50044434	HPS1388LWMAG	HYDRAULIC POLE CHAIN SAW, 88"	88"

REV.	DATE	DESCRIPTION	ECO	BY	C'H'K.
F	11/07/2017 00:00:00 AM	DRAWING RELEASED	47659	TRF	CMT



REV: PE0200

TO ORDER BURNDY® PRODUCTS CALL
 UNITED STATES:
 1-800-346-4175 (LONDONDERRY, NH)
 CANADA:
 1-800-361-6975 (QUEBEC)
 1-800-387-6487 (ALL OTHER PROVINCES)
 FOR PRODUCT INFO: <http://www.burndy.com>

HYDRAULIC POLE CHAIN SAW, 75"		SCALE: 1:1	
ITEM NO: SEE TABLE		DRAWING NO	
CAT. NO: SEE TABLE		REV	
DRAWN BY: T. FAUCHER 05/08/2015	CHECKER: M. CHIASSON 05/08/2015	BURNDY	
DSN APPVL: M. CHIASSON 05/11/2015	MFG APPVL: C. TORREY 05/11/2015		
QA APPVL: C. LINDQUIST 05/12/2015	MKT APPVL: M. RZASA 05/08/2015		
PROD FAM: TOOLS, HYDRAULIC	PROJECT #: --		
DOCUMENT TYPE: Sales	REL LEVEL: Released		
SIZE B	50044308	SHEET 1 OF 1	