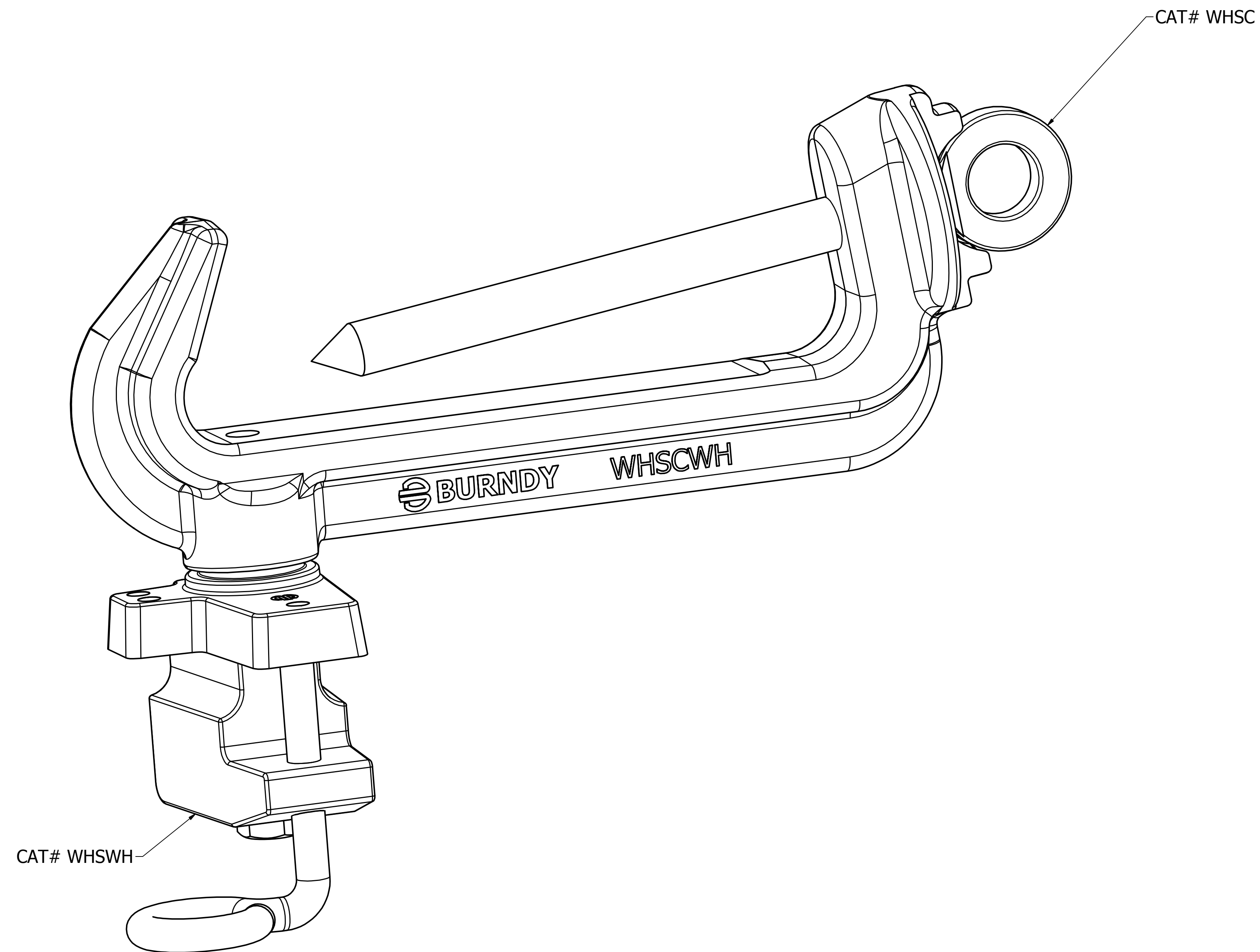


| CATALOG NO. | DESCRIPTION |
|-------------|-----------------------------|
| WHSCWH | WEJTAP HOTSTICK CLAMP/WEDGE |
| WHSWH | HOT STICK WEDGE HOLDER |
| WHSC | WEJTAP HOTSTICK CLAMP |

| REV | DATE | DESCRIPTION | ECO | BY | CHK. |
|-----|------------|----------------------|-------|----|------|
| A | 05/25/2015 | NEW DRAWING CREATION | 40331 | MG | RM |



NOTES:

1. DIMENSIONS IN BRACKETS [] ARE IN MILLIMETERS, ROUNDED OFF TO THE NEAREST MILLIMETER, UNLESS OTHERWISE NOTED. METRIC DIMENSIONS ARE FOR REFERENCE ONLY.

2. ASSEMBLY SHOWN REPRESENTS CAT # WHSCWH.

| | | | |
|---|--|----------------------------------|--|
| TO ORDER BURNDY® PRODUCTS CALL | | C WEDGE HOLDER CLAMP ASSEMBLY | |
| UNITED STATES 1-800-346-4175 (LONDONDERRY, NH) | | ITEM NO: SEE TABLE | |
| CANADA: 1-800-361-6975 (QUEBEC) 1-800-387-6487 (ALL OTHER PROVINCES) | | CAT. NO: SEE TABLE | |
| FOR PRODUCT INFO: http://www.burndy.com | | DRAWN BY: M.GOPI 05-25-2015 | |
| | | CHECKER: B.LARRY 06-10-2015 | |
| | | DSN APRVL: B.LARRY 06-10-2015 | |
| | | MFG APRVL: S.GONYAW 06-11-2015 | |
| | | QA APRVL: C.LINDQUIST 06-15-2015 | |
| | | MKT APRVL: S.PAUL S 06-17-2015 | |
| PROJ #: -- | | SIZE | |
| DOCUMENT TYPE: Sales | | D | |
| REL LEVEL: Released | | DRAWING NO | |
| | | 50044458 | |
| | | SHEET 1 OF 1 | |
| | | REV | |
| | | A | |

