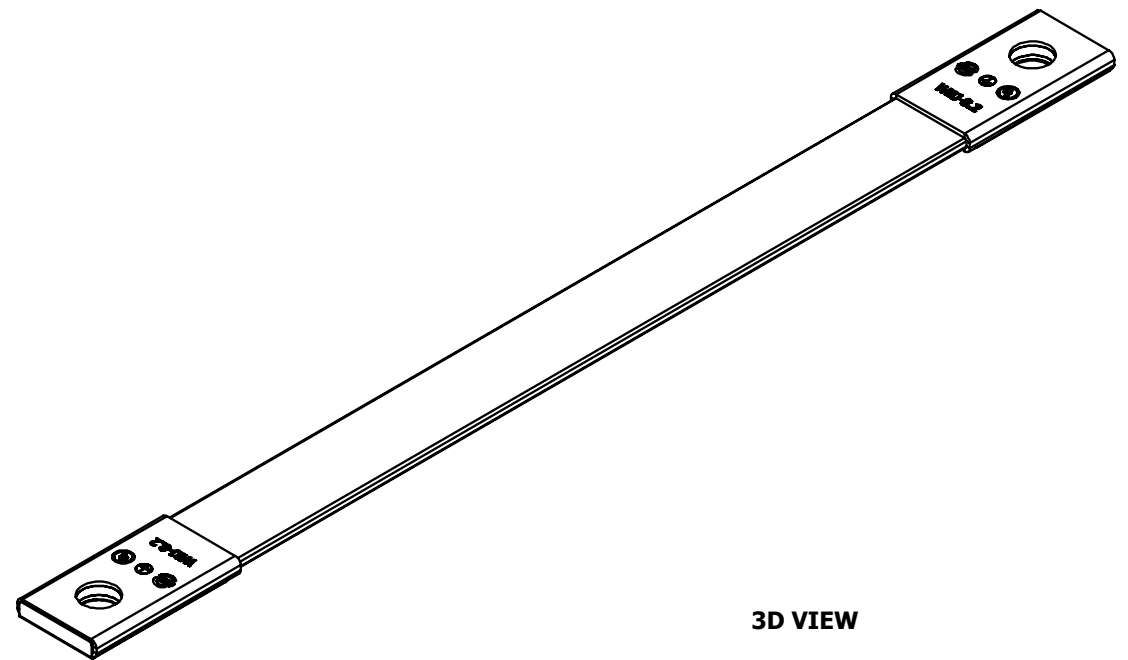
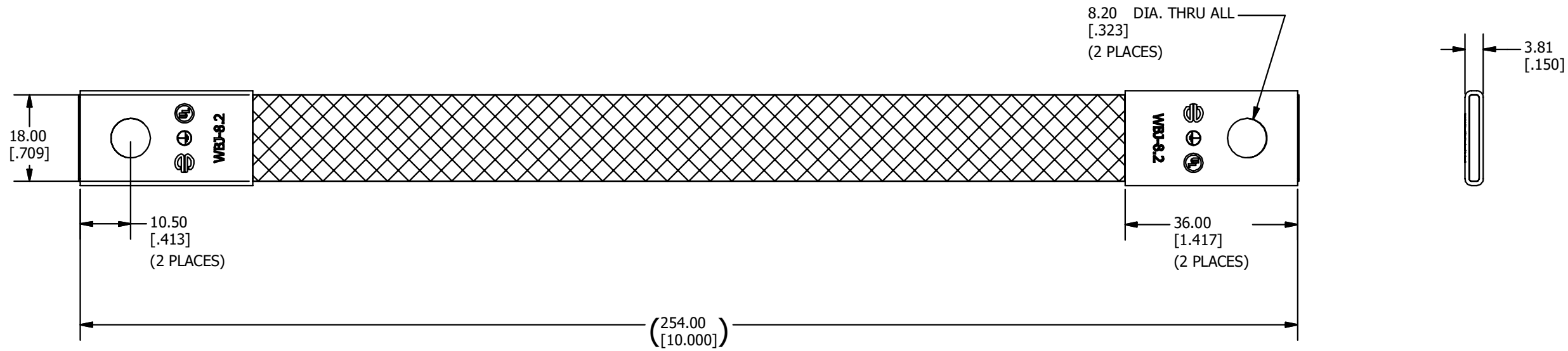


REV	DATE	DESCRIPTION	EC	BY	C'H'K.
C	10/30/2023	DRAWING UPDATE	221110025554	TM	EM



3D VIEW

NOTES:

1. MATERIAL: BRAID: COPPER  
FERRULE: COPPER  
FINISH: TIN PLATED
2. DIMENSIONS IN BRACKETS [ ] ARE IN INCHES ROUNDED OFF TO THE NEAREST TENTH, UNLESS OTHERWISE SPECIFIED AND ARE FOR REFERENCE ONLY.
3. LISTED TO UL 2703 PHOTOVOLTAIC MOUNTING SYSTEMS STANDARD.

TO ORDER BURNDY® PRODUCTS CALL		BONDING JUMPER	
UNITED STATES		ITEM NO: 50044565	
1-800-346-4175 (LONDONDERRY, NH)		CAT. NO: WEEB-BNDJMP8.2	
CANADA:		DRAWN BY: GNATH 02-16-2015	
1-800-387-6487		CHECKER: E.MARTIN 02-19-2015	
FOR PRODUCT INFO: <a href="http://www.burndy.com">http://www.burndy.com</a>		DSN APRVL: E.MARTIN 02-19-2015	
		MFG APRVL: M.STEVENS 02-20-2015	
		QA APRVL: C.KOWALCZYK 02-21-2015	
		MKT APRVL: S.PARSONS 02-20-2015	
		PROD FAM: WILEY	
		DRAWING NO	
		50044567	
		REV	
		C	
		SHEET 1 OF 1	

