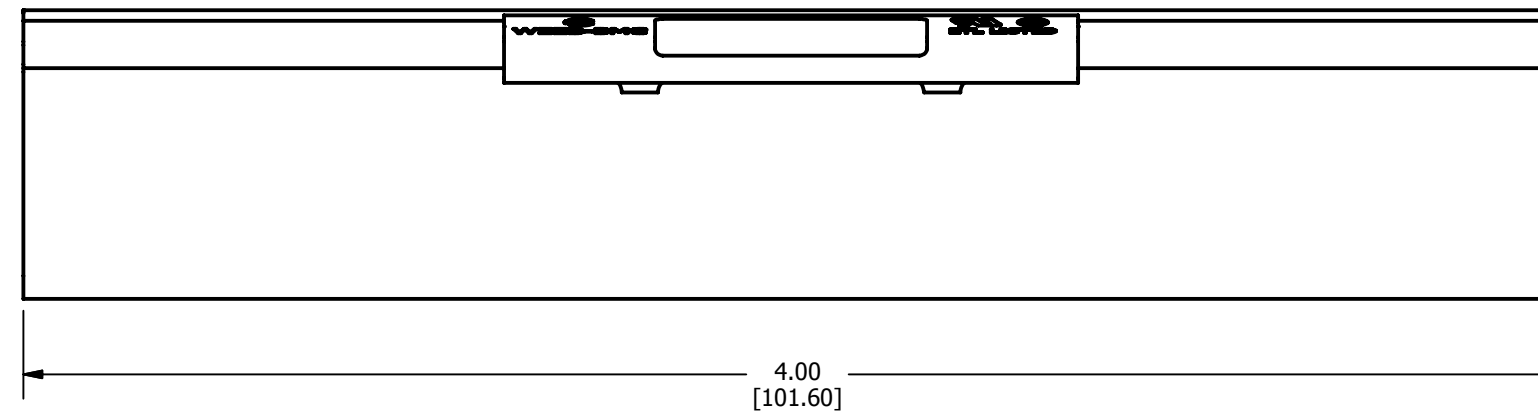
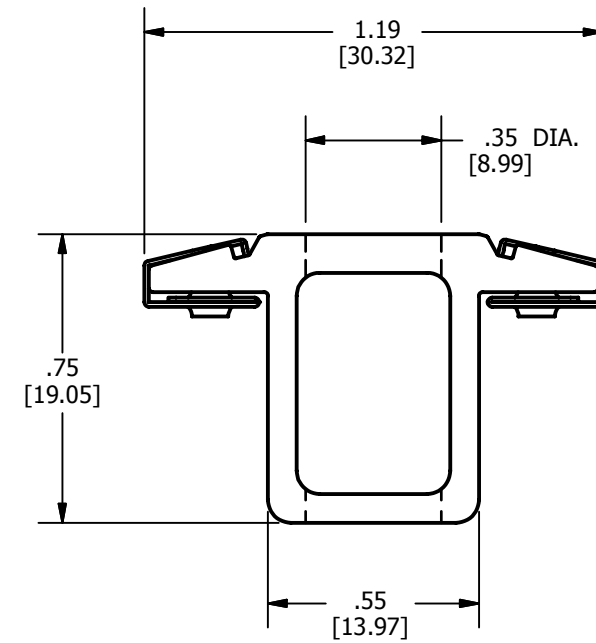


REV	DATE	DESCRIPTION	ECO	BY	C'H'K.
A	09/09/2014	DRAWING REVISED FROM "1" TO "A"	37779	TS	EM



NOTES:

1. THIS DRAWING TO BE INTERPRETED PER ASME Y14.5M-2009.
2. DIMENSIONS IN BRACKETS [] ARE IN MILLIMETERS ROUNDED OFF TO THE NEAREST MILLIMETER, UNLESS OTHERWISE SPECIFIED AND ARE FOR REFERENCE ONLY.
3. FOR USE WITH 5/16" OR M8 HARDWARE.

TO ORDER BURNDY PRODUCTS CALL		WEEB MID CLAMP, 5/16	
UNITED STATES		ITEM NO: 50045035	
1-800-346-4175 (LONDONDERRY, NH)		CAT. NO: WEEB-BMC4-516	
CANADA:		DRAWN BY: E TAMIL 09-10-2014	
1-800-361-6975 (QUEBEC)		CHECKER: Martin, Evan 09-10-2014	
1-800-387-6487 (ALL OTHER PROVINCES)		DSN APRVL: Martin, Evan 09-10-2014	
FOR PRODUCT INFO: http://www.burndy.com		MFG APRVL: Stevens, Matthew 09-11-2014	
		QA APRVL: Kowalczyk, Cheryl 09-15-2014	
		MKT APRVL: Parsons, Sarah 09-10-2014	
PROD FAM: WILEY	DRAWING NO	REV	
PROJECT #: --	SIZE	50045037	
DOCUMENT TYPE: SALES	B	A	
REL LEVEL: Released		SHEET 1 OF 1	