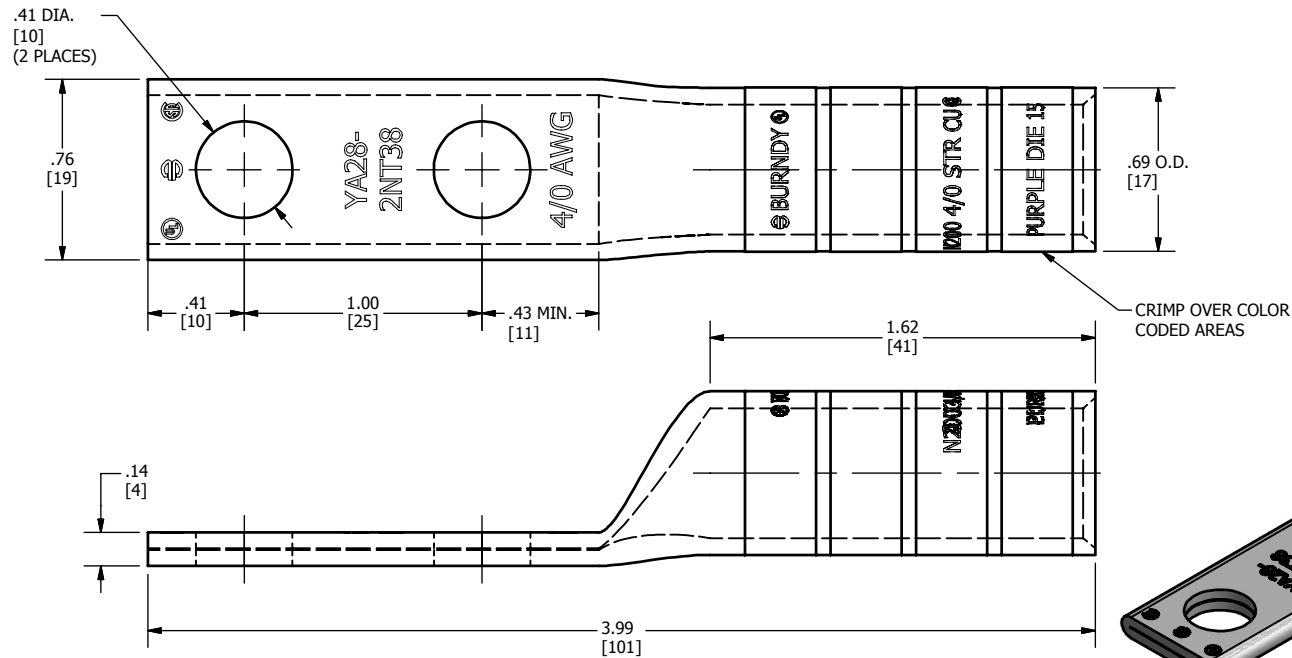


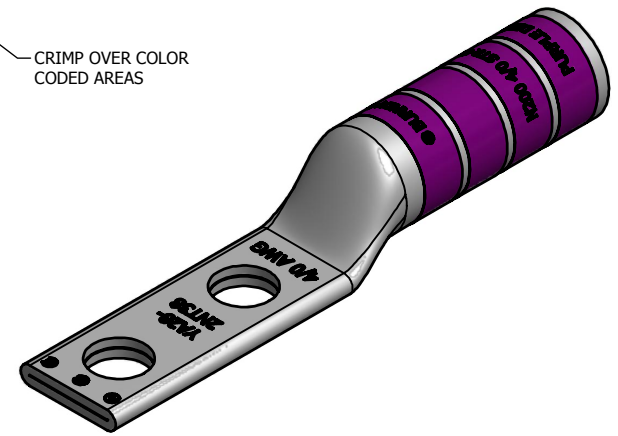
CATALOG NUMBER	CONDUCTOR			STUD SIZE	INSTALLATION TOOLING					WIRE STRIP LENGTH	
	AWG	METRIC (mm ²) CLASS 2	NAVY CABLE SIZE		DIE INDEX	COLOR	DIELESS TOOLS & NO. OF CRIMPS	TOOLS, DIE NO.'S & (NO. OF CRIMPS)			
								MD6, OUR840, MD7-34R	BCT500HS, Y500CTHS		Y35, Y39, Y750, PAT750, Y46
YA282NT38	4/0	---	200	3/8"	15	PURPLE	MY29 - 3 (2) MY29 - 11 (2) MRC840 (4) Y644HSXT (1) Y81KFT (2) Y81KFTMBH (2) PAT81KFT - 18V (2)	W28VT (4) W28RT (4) X28RT (6)	W28VT (4) W28RT (4) X28RT (6)	U28RT (2)	1-11/16"

REV	DATE	DESCRIPTION	ECO	BY	CHK.
A	07/22/2014	DRAWING RELEASED	36232	RK	MB



NOTES:

1. MATERIAL: COPPER TUBING.
2. FINISH: TIN PLATED.
3. CAT NO. PUADP-1 ADAPTOR IS REQUIRED TO USE 'U' DIES IN Y46 SERIES TOOLS.
4. DIMENSIONS IN BRACKETS [] ARE IN MILLIMETERS ROUNDED OFF TO THE NEAREST MILLIMETER, UNLESS OTHERWISE SPECIFIED AND ARE FOR REFERENCE ONLY.
5. "X" DIE SETS ALSO WORK IN THE BCT500, Y500CT & PAT600 SERIES TOOLS.
6. UL LISTED AND CSA CERTIFIED WIRE CONNECTORS.



TO ORDER BURNDY® PRODUCTS CALL		HYLUG™	
UNITED STATES 1-800-346-4175 (LONDONDERRY, NH)		ITEM NO: 50043687	CAT. NO: YA282NT38
CANADA: 1-800-361-6975 (QUEBEC) 1-800-387-6487 (ALL OTHER PROVINCES)		DRAWN BY: rkonathala 07/09/2014	CHECKER: --
FOR PRODUCT INFO: http://www.burndy.com		DSN APRVL: J MICHAUD 08/19/2014	MFG APRVL: --
		QA APRVL: C ACKERMAN 08/20/2014	MKT APRVL: K BOUTIN 08/19/2014
		PROD FARM: --	PROJECT #: --
		DOCUMENT TYPE: SALES	SIZE: B
		REL LEVEL: Released	DRAWING NO: 50046222
			SHEET 1 OF 1
			REV: A