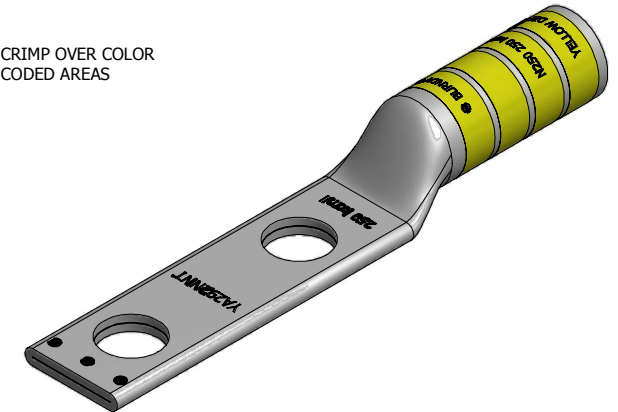
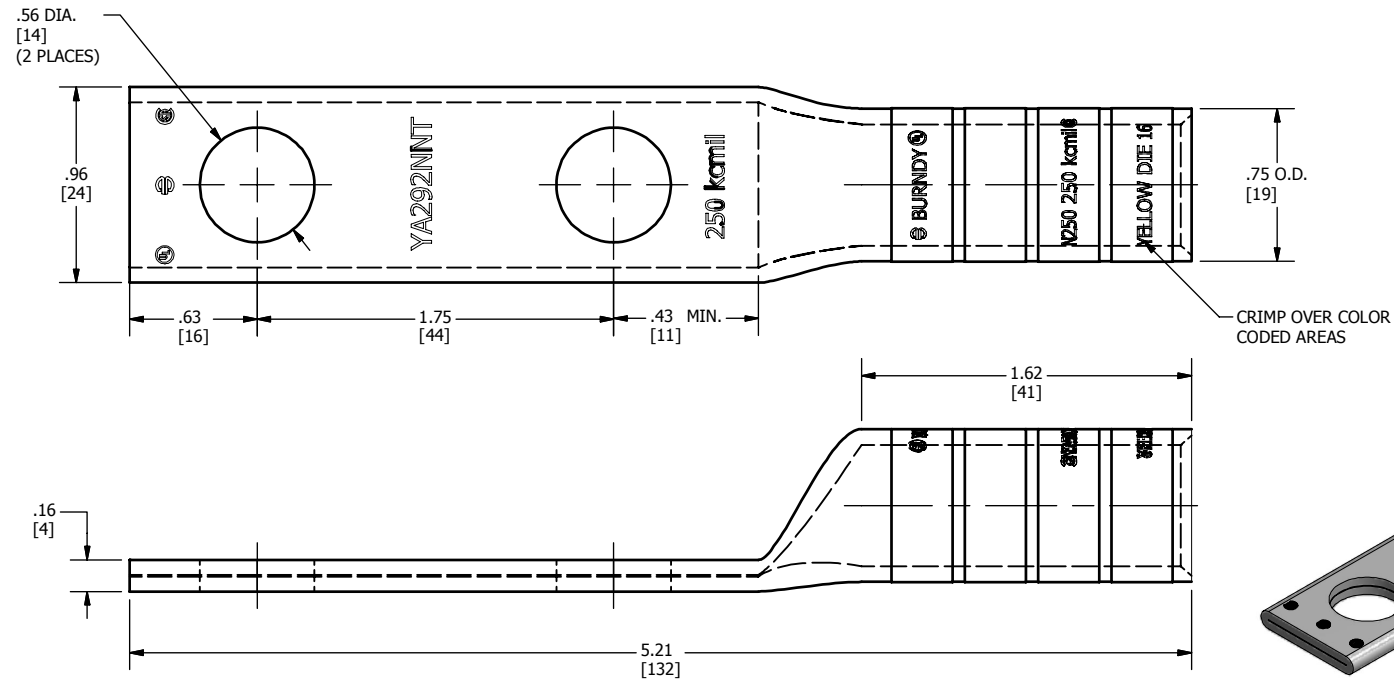


CATALOG NUMBER	CONDUCTOR			STUD SIZE	INSTALLATION TOOLING						WIRE STRIP LENGTH
	AWG	METRIC (mm <sup>2</sup> ) CLASS 2	NAVY CABLE SIZE		DIE INDEX	COLOR	DIELESS TOOLS & NO. OF CRIMPS	TOOLS, DIE NO.'S & (NO. OF CRIMPS)			
								MD6, OUR840, MD7-34R	BCT500HS, Y500CTHS	Y35, Y39, Y750, PAT750, Y46	
YA292NNT	250 kcmil	---	250	1/2"	16	YELLOW	MY29 - 3 (2) MY29 - 11 (2) Y644HSXT (1) Y81KFT (2) Y81KFTMBH (2) PAT81KFT - 18V (2)	W29VT (4) X29RT (8)	W28VT (4) W28RT (4) X28RT (8)	U29RT (2)	1-11/16"

REV	DATE	DESCRIPTION	ECO	BY	C'H'K.
A	07/23/2014	DRAWING RELEASED	36232	RK	MB



**NOTES:**

1. MATERIAL: COPPER TUBING.
2. FINISH: TIN PLATED.
3. CAT NO. PUADP-1 ADAPTOR IS REQUIRED TO USE 'U' DIES IN Y46 SERIES TOOLS.
4. DIMENSIONS IN BRACKETS [ ] ARE IN MILLIMETERS ROUNDED OFF TO THE NEAREST MILLIMETER, UNLESS OTHERWISE SPECIFIED AND ARE FOR REFERENCE ONLY.
5. "X" DIE SETS ALSO WORK IN THE BCT500, Y500CT & PAT600 SERIES TOOLS.
6. UL LISTED AND CSA CERTIFIED WIRE CONNECTORS.

TO ORDER BURNDY® PRODUCTS CALL		HYLUG™	
UNITED STATES 1-800-346-4175 (LONDONDERRY, NH)		ITEM NO: 50043692	CAT. NO: YA292NNT
CANADA: 1-800-361-6975 (QUEBEC) 1-800-387-6487 (ALL OTHER PROVINCES)		DRAWN BY: rkonathale 07/09/2014	CHECKER: --
FOR PRODUCT INFO: <a href="http://www.burndy.com">http://www.burndy.com</a>		DSN APRVL: J MICHAUD 08/19/2014	MFG APRVL: --
		QA APRVL: C ACKERMAN 08/21/2014	MKT APRVL: K BOUTIN 08/19/2014
		PROJ FIRM: --	PROJECT #: --
		DRAWING NO	REV
		50046232	A
		DOCUMENT TYPE: SALES	SIZE: B
		REL LEVEL: Released	SHEET 1 OF 1