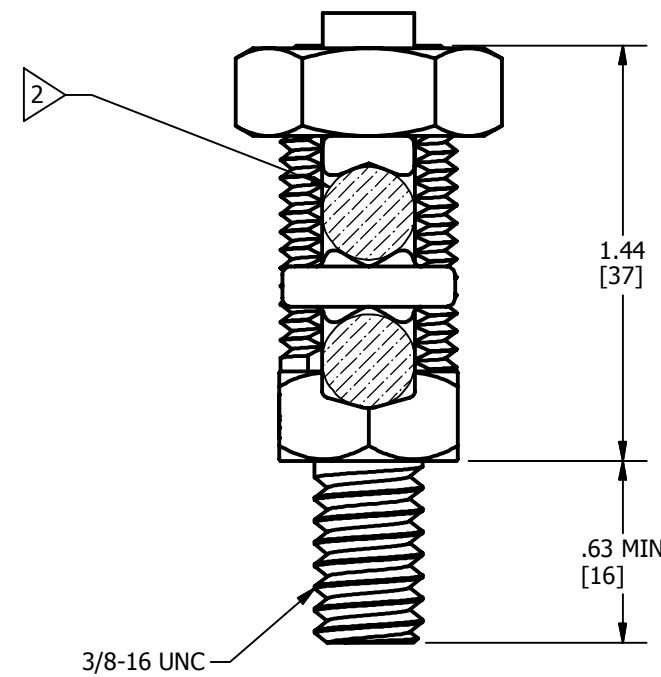
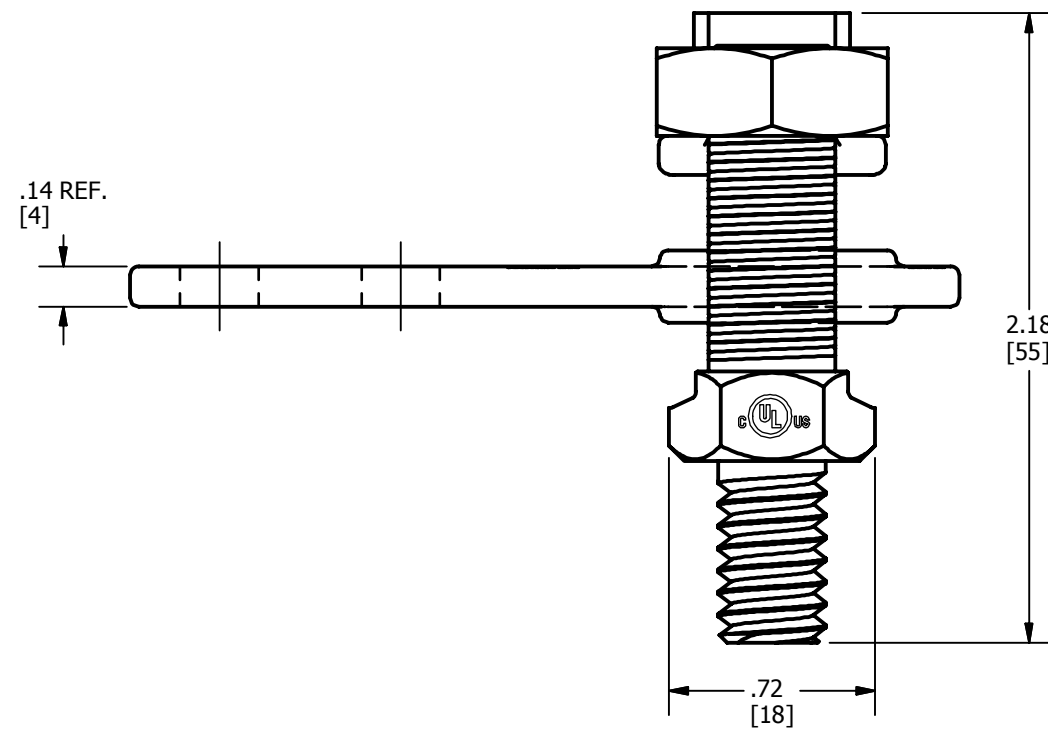
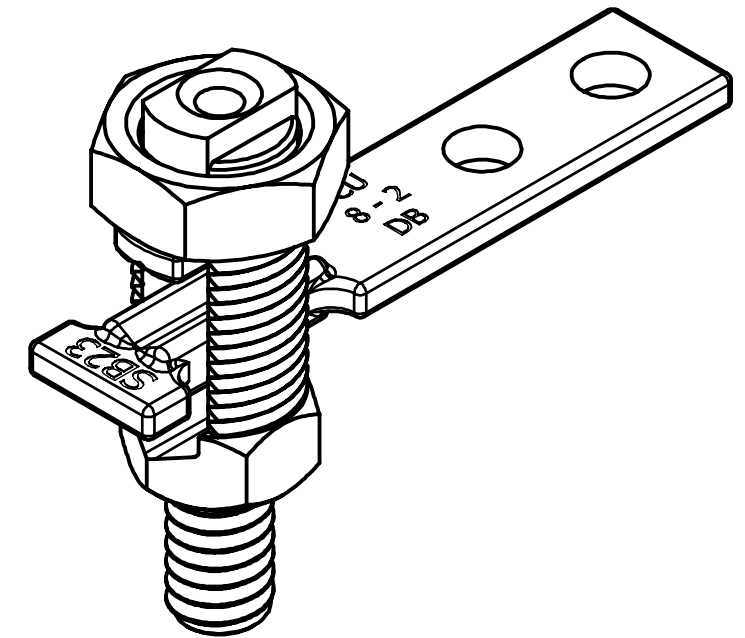
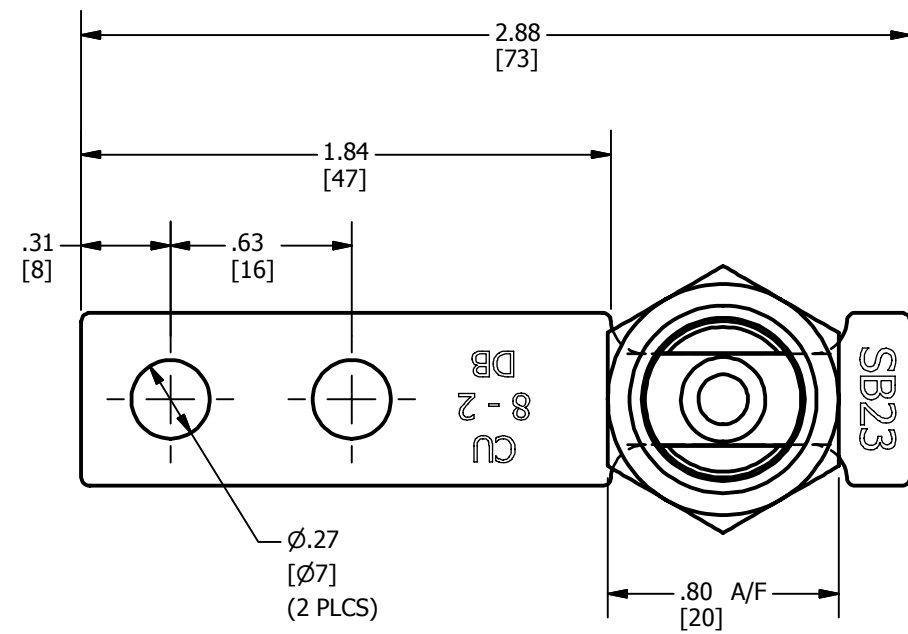


REV	DATE	DESCRIPTION	ECO	BY	C'H.K.
B	04/27/2016	MODEL UPDATED AND NOTE 5 & 6 ADDED	43649	RM	RG



NOTES:

- DIMENSIONS IN BRACKETS [] ARE IN MILLIMETERS ROUNDED OFF TO THE NEAREST MILLIMETER, UNLESS OTHERWISE SPECIFIED AND ARE FOR REFERENCE ONLY.
- COPPER CONDUCTOR RANGE: 8 AWG - 2 AWG
- MATERIAL: TIN-PLATED COPPER ALLOYS
- INSTALLATION TORQUE:
STUD: 150 IN-LBS
NUT: 275 IN-LBS

- c UL us LISTED AS GROUNDING & BONDING EQUIPMENT AND WIRE CONNECTORS, UL FILE E9999.
- ACCEPTABLE FOR DIRECT BURIAL IN EARTH AND CONCRETE

TO ORDER BURNDY® PRODUCTS CALL		HANDYBUG 1/4" HARDWARE	
UNITED STATES 1-800-346-4175 (LONDONDERRY, NH)		ITEM NO: 50046545	
CANADA: 1-800-361-6975 (QUEBEC) 1-800-387-6487 (ALL OTHER PROVINCES)		CAT. NO: SB232TC14	
FOR PRODUCT INFO: http://www.burndy.com		DRAWN BY: PARTHIBAN B 8/19/2014	
		CHECKER: L TROMBLEY 4/24/2015	
		DSN APRVL: L TROMBLEY 4/24/2015	
		MFG APRVL: T SWAN 4/24/2015	
		QA APRVL: C LINDQUIST 4/27/2015	
		MKT APRVL: P THERRIEN 4/27/2015	
PROD FAM: --	DRAWING NO	REV	
PROJECT #: --	SIZE	50047814	B
DOCUMENT TYPE: SALES	B	SHEET 1 OF 1	
REL LEVEL: Released			