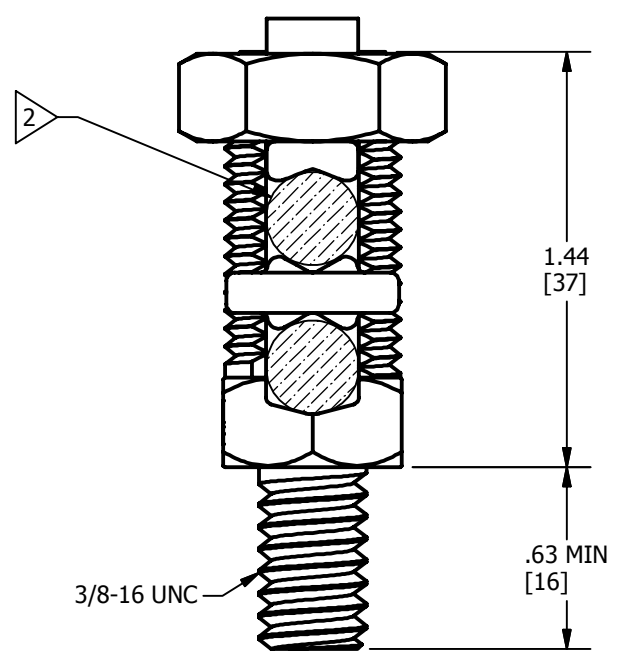
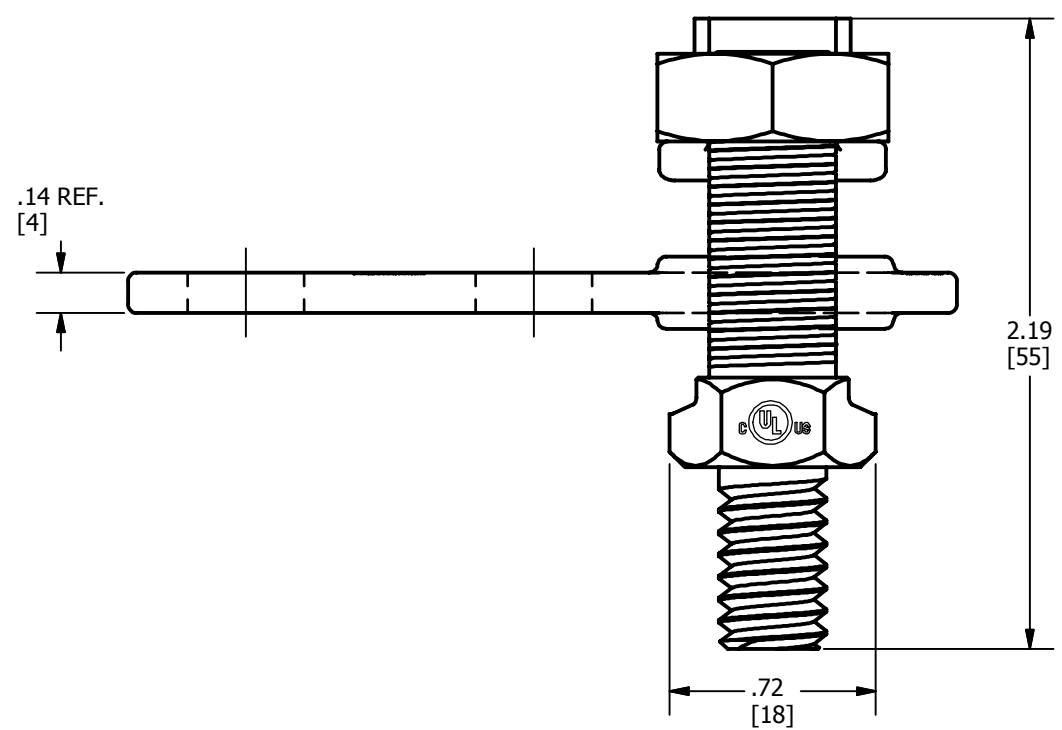
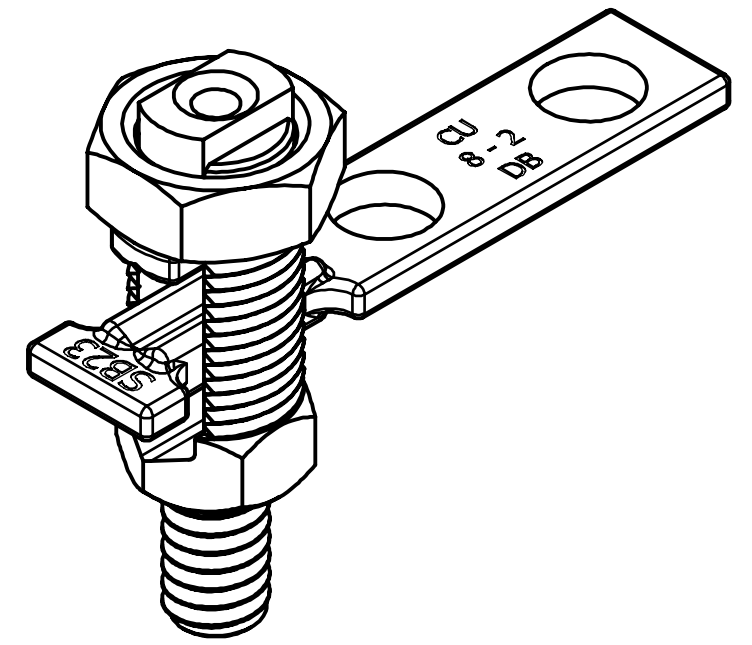
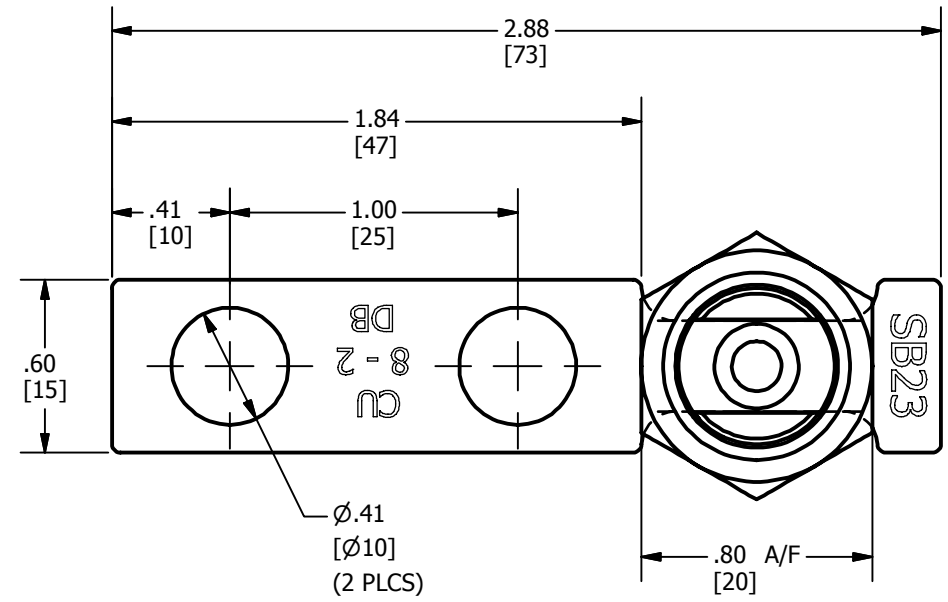


REV	DATE	DESCRIPTION	ECO	BY	C'H'K.
B	04/27/2016	MODEL UPDATED AND NOTE 5 & 6 ADDED	43649	RM	RG



**NOTES:**

- DIMENSIONS IN BRACKETS [ ] ARE IN MILLIMETERS ROUNDED OFF TO THE NEAREST MILLIMETER, UNLESS OTHERWISE SPECIFIED AND ARE FOR REFERENCE ONLY.
- COPPER CONDUCTOR RANGE: 8 AWG - 2 AWG
- MATERIAL: TIN-PLATED COPPER ALLOYS
- INSTALLATION TORQUE:  
 STUD: 150 IN-LBS  
 NUT: 275 IN-LBS
- c UL us LISTED AS GROUNDING & BONDING EQUIPMENT AND WIRE CONNECTORS, UL FILE E9999.
- ACCEPTABLE FOR DIRECT BURIAL IN EARTH AND CONCRETE

TO ORDER BURNDY® PRODUCTS CALL		HANDYBUG 3/8" HARDWARE															
UNITED STATES 1-800-346-4175 (LONDONDERRY, NH)		ITEM NO: 50046546															
CANADA: 1-800-361-6975 (QUEBEC) 1-800-387-6487 (ALL OTHER PROVINCES)		CAT. NO: SB232TC38															
FOR PRODUCT INFO: <a href="http://www.burndy.com">http://www.burndy.com</a>		<table border="1"> <tr> <td>DRAWN BY: PARTHIBAN B</td> <td>8/19/2014</td> <td rowspan="5"></td> </tr> <tr> <td>CHECKER: L TROMBLEY</td> <td>4/24/2015</td> </tr> <tr> <td>DSN APRVL: L TROMBLEY</td> <td>4/24/2015</td> </tr> <tr> <td>MFG APRVL: T SWAN</td> <td>4/24/2015</td> </tr> <tr> <td>QA APRVL: C LINDQUIST</td> <td>4/27/2015</td> </tr> <tr> <td>MKT APRVL: P THERRIEN</td> <td>4/27/2015</td> <td></td> </tr> </table>		DRAWN BY: PARTHIBAN B	8/19/2014		CHECKER: L TROMBLEY	4/24/2015	DSN APRVL: L TROMBLEY	4/24/2015	MFG APRVL: T SWAN	4/24/2015	QA APRVL: C LINDQUIST	4/27/2015	MKT APRVL: P THERRIEN	4/27/2015	
DRAWN BY: PARTHIBAN B	8/19/2014																
CHECKER: L TROMBLEY	4/24/2015																
DSN APRVL: L TROMBLEY	4/24/2015																
MFG APRVL: T SWAN	4/24/2015																
QA APRVL: C LINDQUIST	4/27/2015																
MKT APRVL: P THERRIEN	4/27/2015																
PROJ #:	SIZE:	DRAWING NO:	REV:														
PROJECT #:	SALES	50047815	B														
REL LEVEL: Released	B	SHEET 1 OF 1															