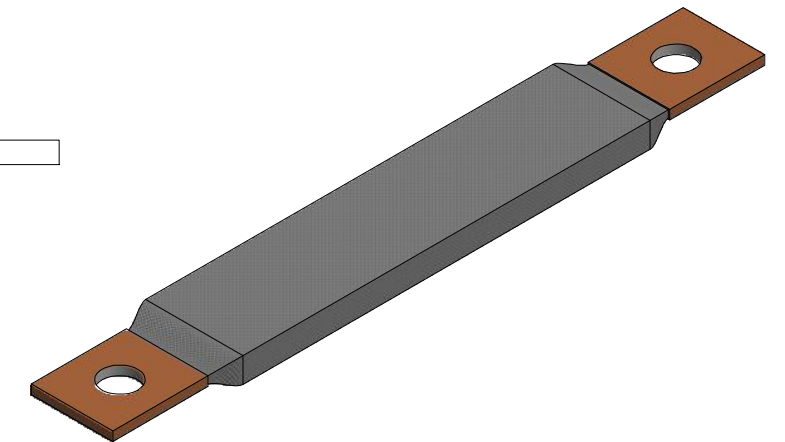
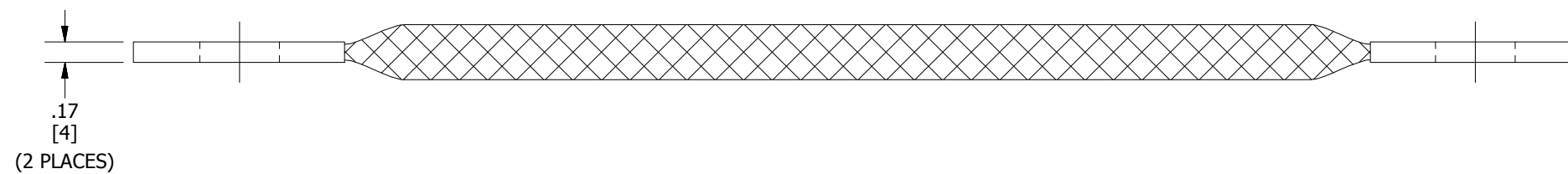
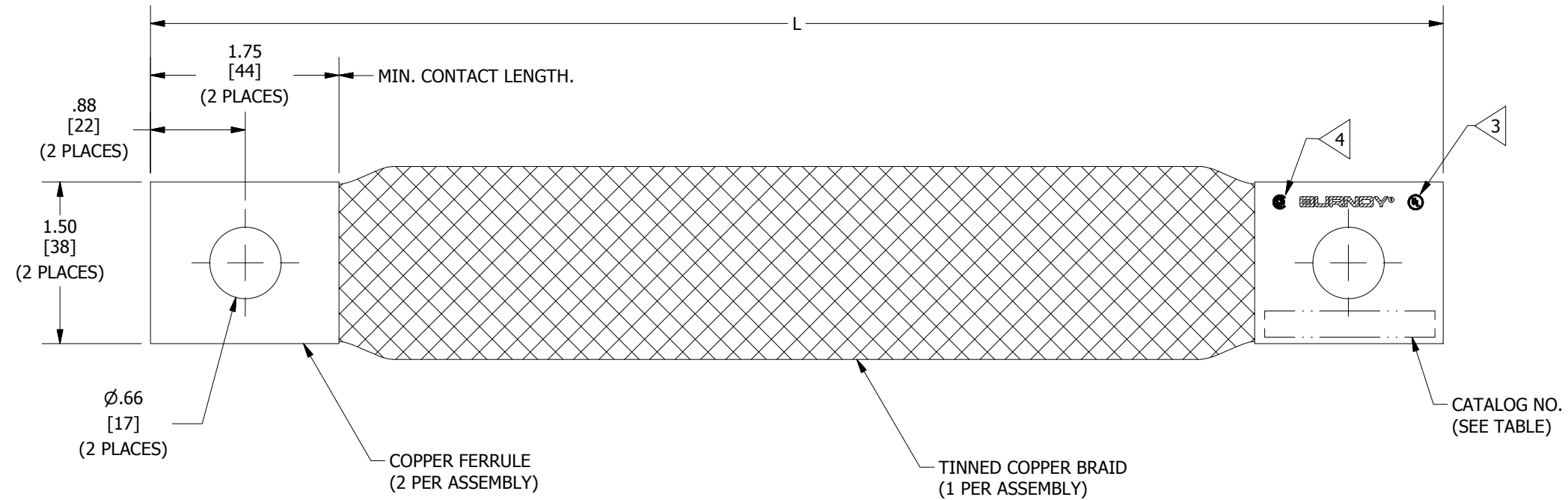


CAT. NO.	ITEM NO.	L
BE12T58	50047788	12.00
BE18T58	50047789	18.00
BE24T58	50047790	24.00

REV	DATE	DESCRIPTION	ECO	BY	C'H'K.
A	01/08/2015	NEW DRAWING CREATED	38841	AD	RG



NOTES:

- APPROXIMATE AMP RATING: 340A INDOOR, 405A OUTDOOR. THIS RATING MAY VARY WITH AMBIENT CONDITIONS, ORIENTATION OF THE BRAID, AND OTHER SERVICE CONDITIONS.
- DIMENSIONS IN BRACKETS [] ARE IN MILLIMETERS ROUNDED OFF TO THE NEAREST MILLIMETER, UNLESS OTHERWISE NOTED, AND ARE FOR REFERENCE ONLY.
- ALL SIZES ARE LISTED TO UL 467 GROUNDING & BONDING EQUIPMENT STANDARDS.
- ALL SIZES ARE LISTED TO CSA 22.2 NO.41 GROUNDING & BONDING EQUIPMENT STANDARDS.

TO ORDER BURNDY® PRODUCTS CALL		FLEXIBLE BRAID, 5/8" HARDWARE	
UNITED STATES 1-800-346-4175 (LONDONDERRY, NH)		ITEM NO: (SEE TABLE)	
CANADA: 1-800-361-6975 (QUEBEC) 1-800-387-6487 (ALL OTHER PROVINCES)		CAT. NO: BE - T58 (TABLE)	
FOR PRODUCT INFO: http://www.burndy.com		DRAWN BY: S.AUGUSTIN 01/09/2015	REV
		CHECKER: L.TROMBLEY 01/13/2015	
		DSN APRVL: L.TROMBLEY 01/13/2015	
		MFG APRVL: -- 01/16/2015	
		QA APRVL: C.LINDQUIST 01/17/2015	
		MKT APRVL: K.ROBICHEAU 01/12/2015	
		PROD FAM: MECHANICAL GROUNDING	DRAWING NO
		PROJECT #: --	50047826
		DOCUMENT TYPE: SALES	REV
		REL LEVEL: Released	A
		SIZE	SHEET 1 OF 1
		B	

