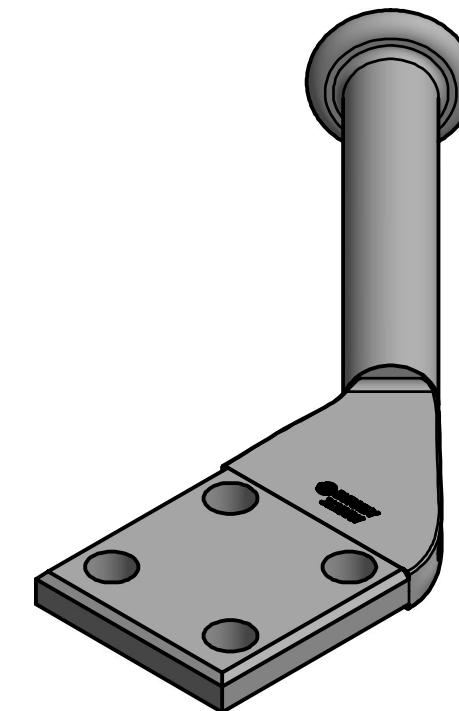
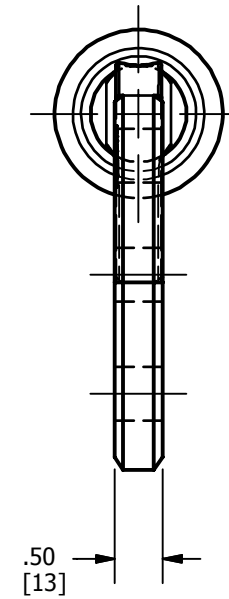
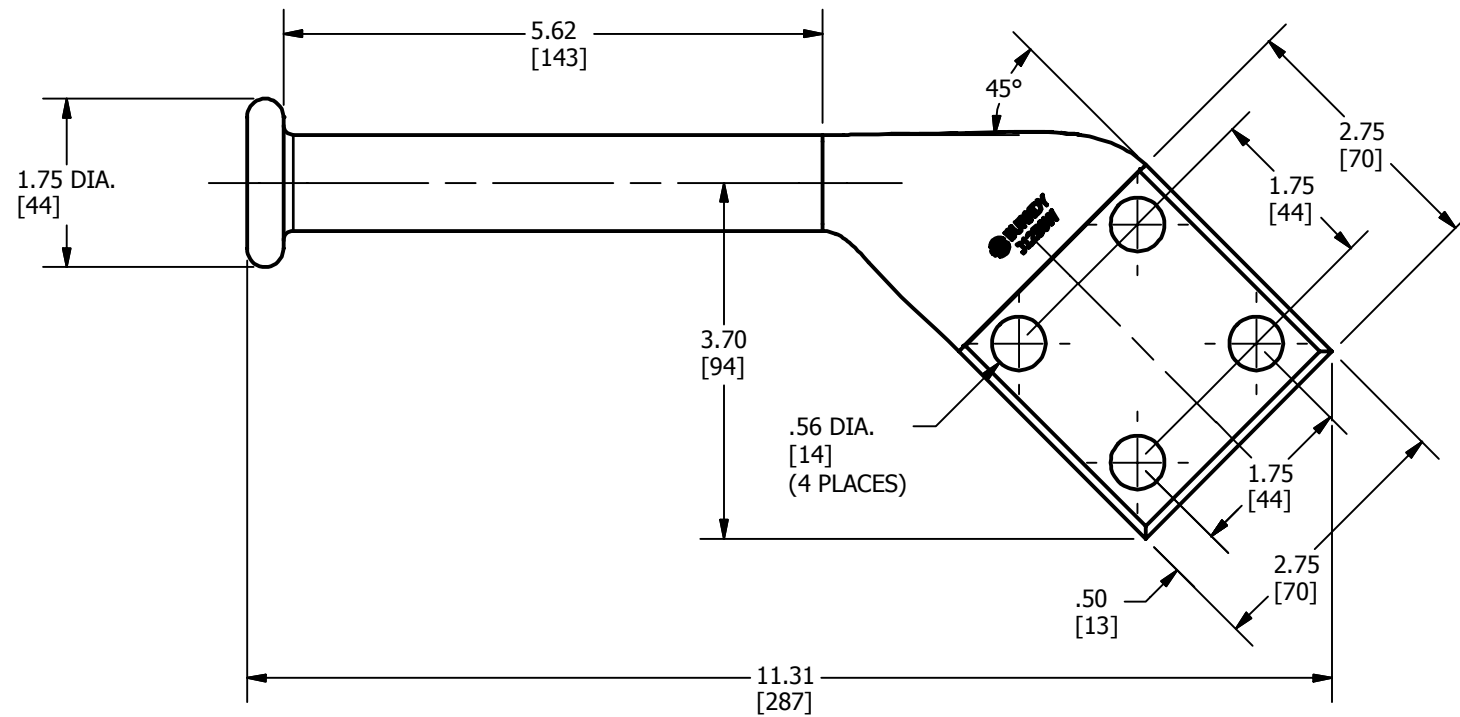


REV	DATE	DESCRIPTION	ECO	BY	C'H'K.
A	08/08/2014	DRAWING RELEASED	37395	SV	MB



NOTES:

1. MATERIAL: CAST COPPER ALLOY.
2. DIMENSIONS IN BRACKETS [] ARE IN MILLIMETERS ROUNDED OFF TO THE NEAREST MILLIMETER, UNLESS OTHERWISE NOTED, AND ARE FOR REFERENCE ONLY.

TO ORDER BURNDY® PRODUCTS CALL		GROUND PAD LUG	
UNITED STATES 1-800-346-4175 (LONDONDERRY, NH)		ITEM NO: 300266	
CANADA: 1-800-361-6975 (QUEBEC) 1-800-387-6487 (ALL OTHER PROVINCES)		CAT. NO: J1250W	
FOR PRODUCT INFO: http://www.burndy.com		DRAWN BY: SENTHIL 8/8/2014	
		CHECKER: B MANIKANDAN 8/9/2014	
		DSN APRVL: TROMBLEY L 8/12/2014	
		MFG APRVL: --	
		QA APRVL: KOWALCZYK C 8/14/2014	
		MKT APRVL: THIRRIEN P 8/12/2014	
		PROD FAM: MECHANICAL GROUNDING	
		DRAWING NO	
		50048792	
		REV	
		A	
		SHEET 1 OF 1	