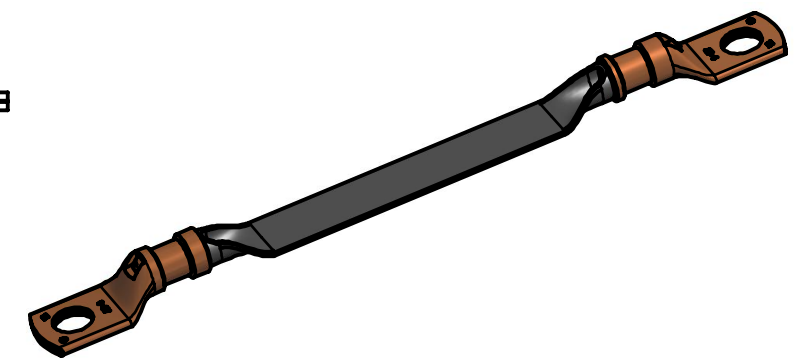
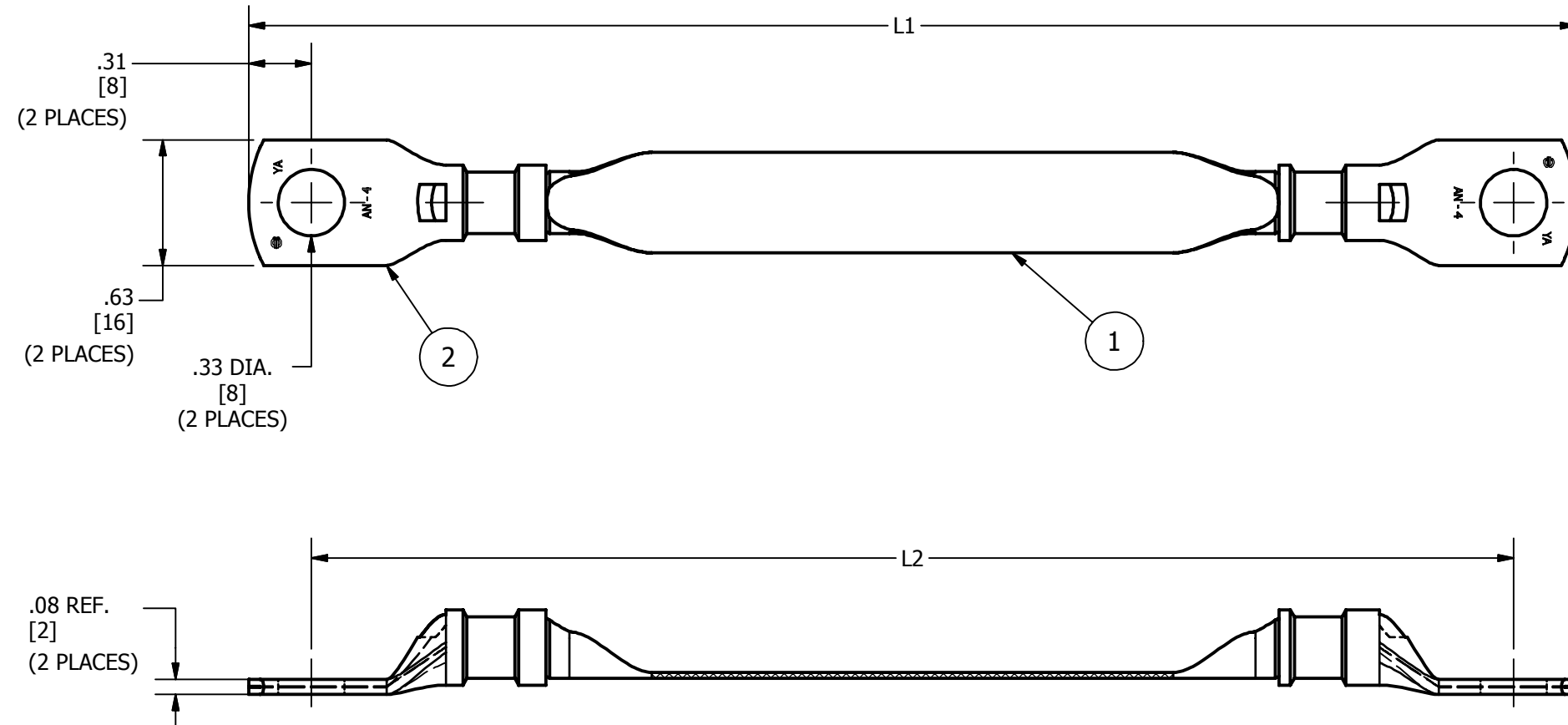


ITEM NO.	CATALOG NO.	L1	L2
50047545	BB024SSL6LT516	6.63	6.00
50047546	BB024SSL9LT516	9.63	9.00
50047547	BB024SSL12LT516	12.63	12.00

REV	DATE	DESCRIPTION	ECO	BY	C'H'K.
A	10/08/2014	CREATE SALES DRAWING	38039	RG	MA



NOTES:

1. DIMENSIONS IN BRACKETS [ ] ARE IN MILLIMETERS ROUNDED OFF TO THE NEAREST MILLIMETER, UNLESS OTHERWISE NOTED AND ARE FOR REFERENCE ONLY.
2. MATERIAL:  
BRAID - STAINLESS STEEL  
LUG - TIN PLATED COPPER
3. BRAID MATERIAL IS EQUIVALENT TO #6 AWG.

TO ORDER BURNDY® PRODUCTS CALL		SS JUMPER 5/16" STUD	
UNITED STATES 1-800-346-4175 (LONDONDERRY, NH)		ITEM NO: (SEE TABLE)	
CANADA: 1-800-361-6975 (QUEBEC) 1-800-387-6487 (ALL OTHER PROVINCES)		CAT. NO: BB024SSL-T516 (TABLE)	
FOR PRODUCT INFO: <a href="http://www.burndy.com">http://www.burndy.com</a>		DRAWN BY: C. RAJEEV GANDHI 10/7/2014	
		CHECKER: L. TROMBLEY 10/21/2014	
		DSN APRVL: L. TROMBLEY 10/21/2014	
		MFG APRVL: M. STEVENS 10/16/2014	
		QA APRVL: C. LINDQUIST 10/16/2014	
		MKT APRVL: K. ROBICHEAU 10/15/2014	
PROD FAM: --	DRAWING NO	REV	
PROJECT #: --	SIZE	50049482	A
DOCUMENT TYPE: SALES	B	SHEET 1 OF 1	
REL LEVEL: Released			