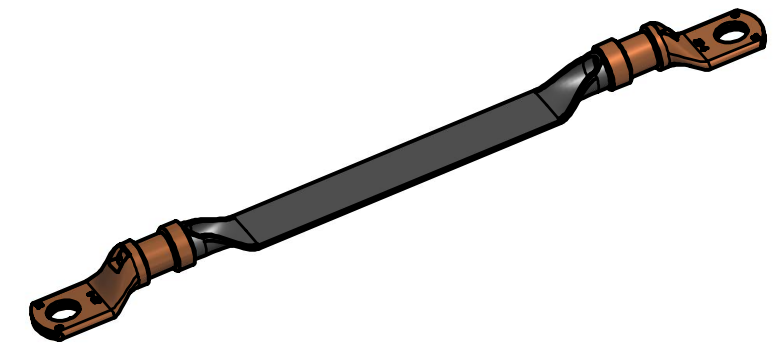
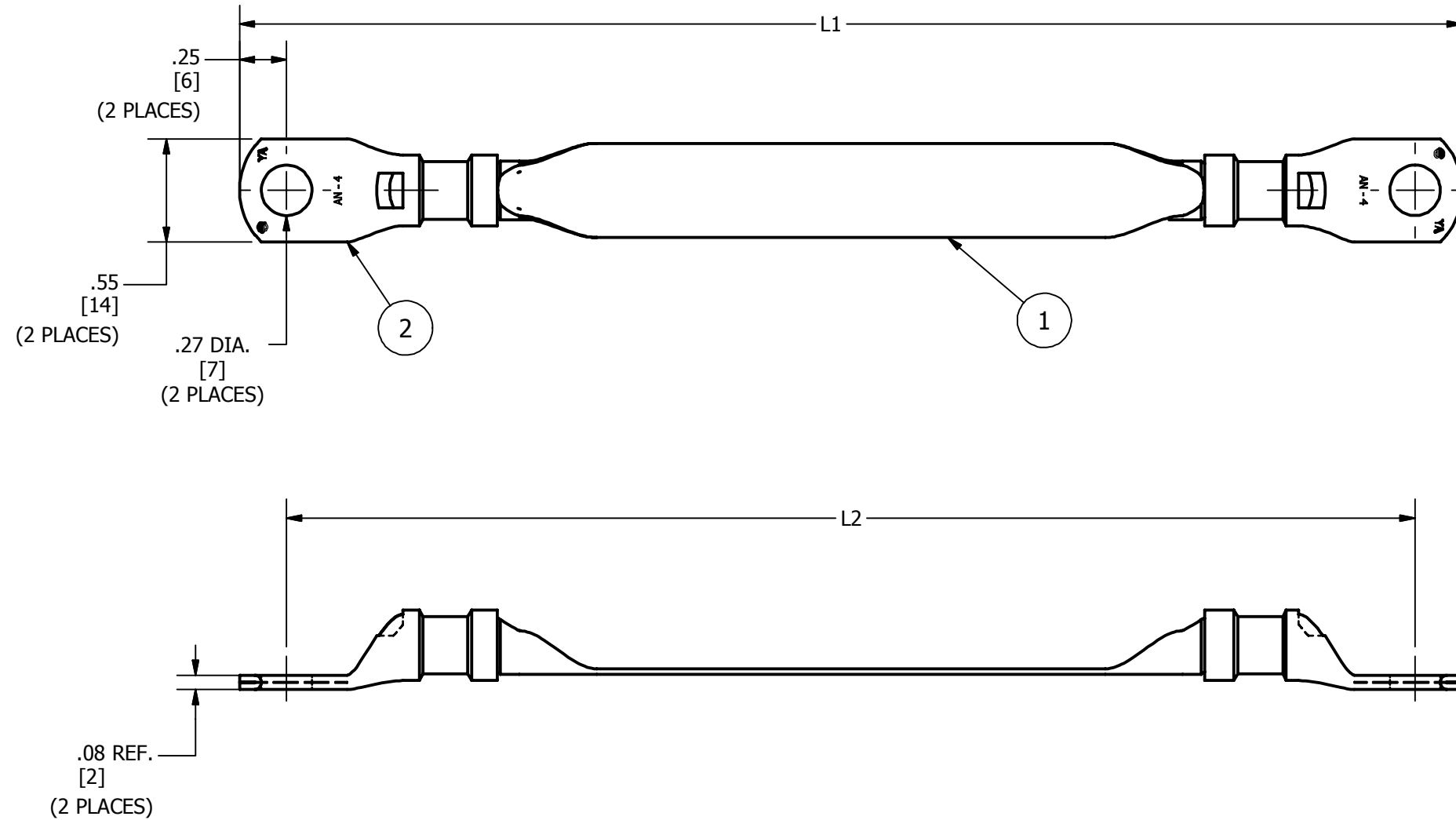


ITEM NO.	CATALOG NO.	L1	L2
50047551	BB024SSL6LT14	6.50	6.00
50047552	BB024SSL9LT14	9.50	9.00
50047553	BB024SSL12LT14	12.50	12.00

REV	DATE	DESCRIPTION	ECO	BY	C'H'K.
A	10/08/2014	CREATE SALES DRAWING	38039	RG	MA



NOTES:

- DIMENSIONS IN BRACKETS [] ARE IN MILLIMETERS ROUNDED OFF TO THE NEAREST MILLIMETER, UNLESS OTHERWISE NOTED AND ARE FOR REFERENCE ONLY.
- MATERIAL:
BRAID - STAINLESS STEEL
LUG - TIN PLATED COPPER
- BRAID MATERIAL IS EQUIVALENT TO #6 AWG.

TO ORDER BURNDY® PRODUCTS CALL		SS JUMPER 1/4" STUD	
UNITED STATES		ITEM NO: (SEE TABLE)	
1-800-346-4175 (LONDONDERRY, NH)		CAT. NO: BB024SSL-T14 (TABLE)	
CANADA:		DRAWN BY: C. RAJEEV GANDHI 10/10/2014	
1-800-361-6975 (QUEBEC)		CHECKER: L. TROMBLEY 10/21/2014	
1-800-387-6487 (ALL OTHER PROVINCES)		DSN APRVL: L. TROMBLEY 10/21/2014	
FOR PRODUCT INFO: http://www.burndy.com		MFG APRVL: M. STEVENS 10/16/2014	
		QA APRVL: C. LINDQUIST 10/16/2014	
		MKT APRVL: K. ROBICHEAU 10/15/2014	
PROD FAM: --	DRAWING NO	REV	
PROJECT #: --	SIZE	50049486	A
DOCUMENT TYPE: SALES	B	SHEET 1 OF 1	
REL LEVEL: Released			