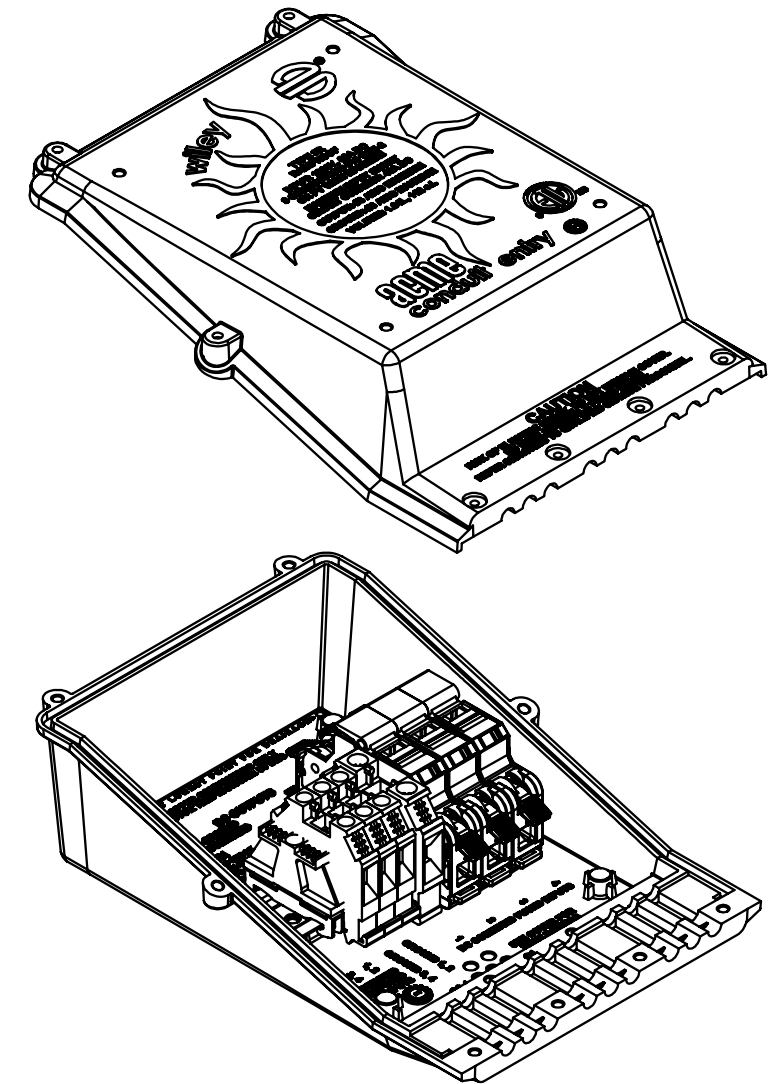
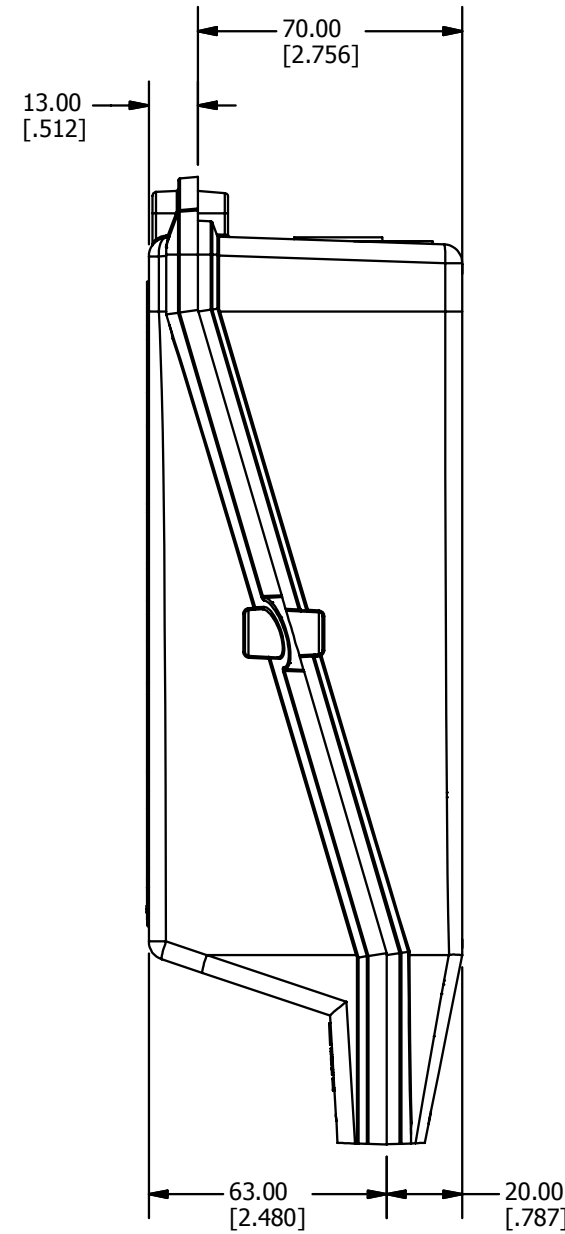
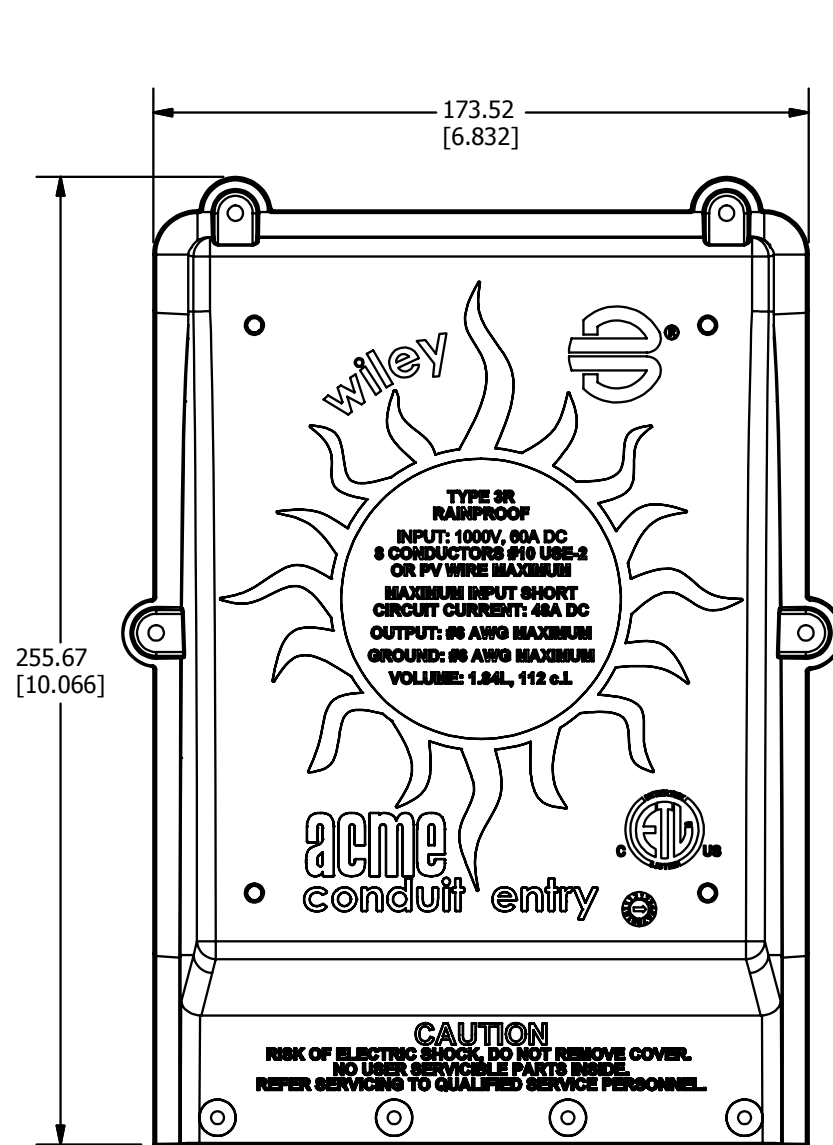


| REV | DATE | DESCRIPTION | ECO | BY | CHK. |
|-----|------------|---|-------|----|------|
| B | 01/05/2016 | ACE BOX UPDATED WITH NEW FUSE HOLDER, COMBINE BUS BAR AND BURNDY LOGO ADDED | 42483 | GN | DS |



3D EXPLODED VIEW

NOTES:

1. THIS DRAWING TO BE INTERPRETED PER ASME Y14.5M-2009.
2. DIMENSIONS IN BRACKETS [] ARE IN INCHES ROUNDED OFF TO THE NEAREST TENTH, UNLESS OTHERWISE SPECIFIED AND ARE FOR REFERENCE ONLY.

| | | | |
|---|--|---------------------------------|--|
| TO ORDER BURNDY PRODUCTS CALL | | ACE 3-STR COMBINER BOX | |
| UNITED STATES | | ITEM NO: 50049810 | |
| 1-800-346-4175 (LONDONDERRY, NH) | | CAT. NO: ACE-3C-1GND | |
| CANADA: | | DRAWN BY: GNATHTR 1/5/2016 | |
| 1-800-361-6975 (QUEBEC) | | CHECKER: D SHEA 1/9/2016 | |
| 1-800-387-6487 (ALL OTHER PROVINCES) | | DSN APRVL: E MARTIN 1/12/2016 | |
| FOR PRODUCT INFO: http://www.burndy.com | | MFG APRVL: M STEVENS 1/14/2016 | |
| | | QA APRVL: C KOWALCZYK 1/15/2016 | |
| | | MKT APRVL: S PARSONS 1/12/2016 | |
| | | PROD FAM: WILEY | |
| | | DRAWING NO | |
| | | 50049637 | |
| | | REV | |
| | | B | |
| | | SHEET 1 OF 1 | |